

WORLDWIDE LOCATIONS

Sumitomo Machinery Corporation of America Headquarters & Manufacturing

4200 Holland Boulevard
Chesapeake, VA 23323
Tel: +1-757-485-3355 • 1-800-SMCYCLO
Fax: +1-757-485-7490

www.sumitomodrive.com
E-mail: customer_service@suminet.com

U.S. Sales and Support

Chicago (Midwest)
Sumitomo Machinery Corporation of America
175 West Lake Drive
Glendale Heights, IL 60139
Tel: +1-630-752-0200 • 1-800-SMCYCLO
Fax: +1-630-752-0208

Los Angeles (West)
Sumitomo Machinery Corporation of America
2375 Railroad Street
Corona, CA 92880-5411
Tel: +1-951-340-4100 • 1-800-SMCYCLO
Fax: +1-951-340-4108

Canada

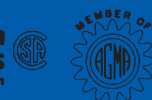
Toronto (East)
SM-Cyclo of Canada, Ltd.
1045 South Service Road, West
Oakville, Ontario, Canada L6L 6K3
Tel: +1-905-469-1050 • Fax: +1-905-469-1055

Vancouver (West)
SM-Cyclo of Canada, Ltd.
740 Chester Road, Annacis Island, Delta
B.C., Canada V3M 6J1
Tel: +1-604-525-5403 • Fax: +1-604-525-0879

Montreal
SM-Cyclo of Canada, Ltd.
2862 Blvd. Daniel-Johnson
Laval, Quebec, Canada H7P 5Z7
Tel: +1-450-686-8808 • Fax: +1-450-686-8000

World Headquarters

Japan
Sumitomo Heavy Industries, Ltd.
Power Transmission & Controls Group
ThinkPark Tower, 1-1, Osaki 2-chome,
Shinagawa-ku, Tokyo 141-6025 Japan
Tel: +81-367-37-2511 • Fax: +81-368-66-5160



Sumitomo Drive Technologies

Cyclo® 6000

Speed Reducers

Sumitomo Drive Technologies

Always on the Move

Cyclo® 6000

Speed Reducers



Mexico

Monterrey
SM-Cyclo de Mexico, S.A. de C.V.
Av. Desarrollo No. 541
Parque Industrial Finsa
Guadalupe, N.L., Mexico CP 67114
Tel: +52-81-8144-5130 • Fax: +52-81-8144-5130 ext. 3109

Mexico City
SM-Cyclo de Mexico, S.A. de C.V.
Privada Ceylan No. 59-B Bis Colonia
Industrial Vallejo
Delegación Azcapotzalco, DF Mexico 02300
Tel: +52-55-2282-8700

Guadalajara
SM-Cyclo de Mexico S.A. de C.V. Calle
Broca No. 2605, Bodega 4 Parque
Alamo Industrial Tlaquepaque, JAL,
Mexico 44490
Tel: +52-33-3675-4323

Brazil

São Paulo
SM Cyclo Redutores do Brasil Comércio Ltda. Av.
Marquês de São Vicente, 587 – Cj. 16 Barra Funda –
CEP: 01139-001
São Paulo, Brazil
Tel: +55-11-5585-3600 • Fax: +55-11-5585-3600

Chile

Santiago
SM Cyclo de Chile Ltda. San
Pablo 3507
Comuna de Quinta Normal - Santiago, Chile
Tel: +56-2-2892-7000 • Fax: +56-2-2892-7001

Antofagasta
SM Cyclo de Chile Ltda. Calle 8,
Manzana N2, Sitio 1
Sector La Negra, Antofagasta, Chile
Tel: +56-5-5256-1611 • Fax: +56-5-5256-1616

Concepción
SM Cyclo de Chile Ltda.
Camino a Coronel Km 10, #5580, Modulo 3-A Comuna:
San Pedro de la Paz – Concepción, Chile
Tel: +56-4-1246-9806 • Fax: +56-4-1246-9808

Argentina

Buenos Aires
SM-Cyclo de Argentina SA Ing.
Delpini #2236
Area de Promocion el Triangulo, Partido Malvinas Argentinas Grand
Bourg, Buenos Aires, Argentina B1615KGB
Tel: +54-3327-454095 • Fax: +54-3327-454099

Europe

Austria
Belgium
France
Germany
Italy
Spain
Sweden
United Kingdom

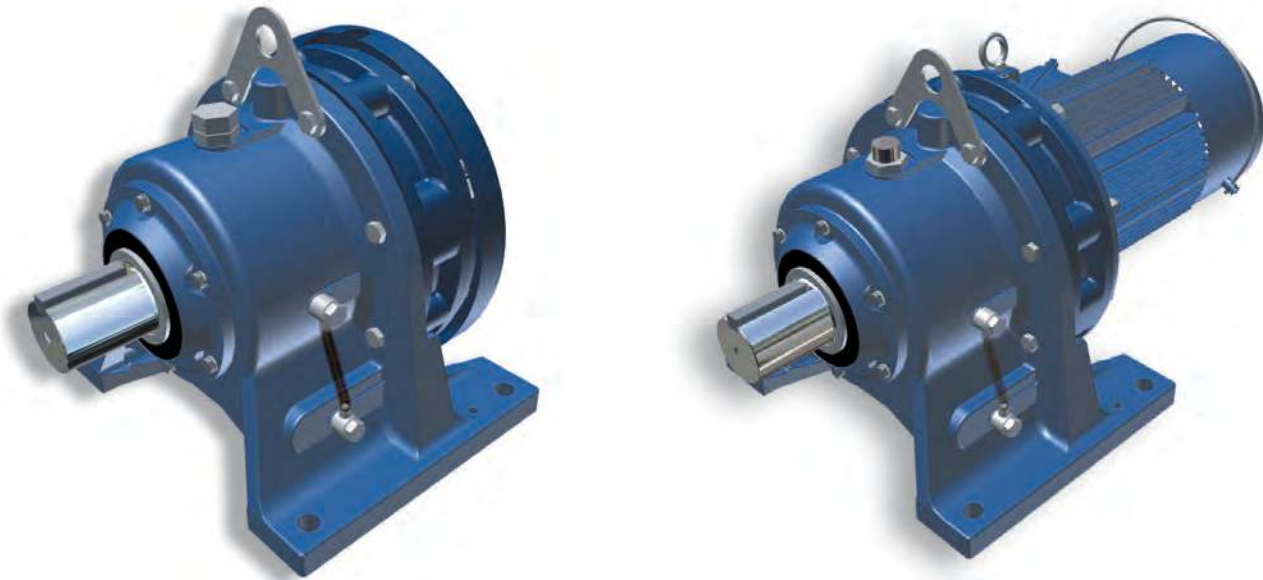
Asia

China
Hong Kong
Indonesia
Korea
Malaysia
Philippines
Singapore
Taiwan
Thailand
Vietnam

Other Locations

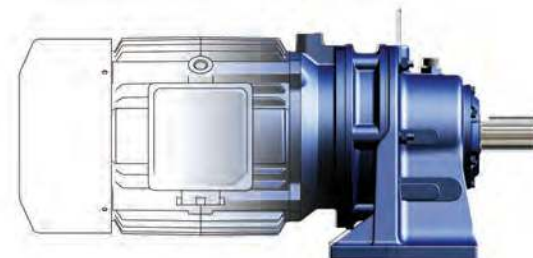
Australia
India
New Zealand

Superior design, powerful performance



▶ The Cyclo® 6000 is also available as an inline Gearmotor

Use our online product configurator to build a Cyclo® to fit your application. See inside back cover for further details. Configure your Cyclo® today at www.sumitomodrive.com/configurator



To request a catalog, or for more information on any of our high quality products, please visit our website:

www.sumitomodrive.com



Cyclo® BBB4
Right Angle, Spiral Bevel Gearbox with Cyclo® Reducer Input.



Cyclo® BBB5
Right Angle, Spiral Bevel Gearbox with Cyclo® Reducer Input.



Hyponic®
Features all-steel hypoid gear design, maintenance-free grease lubrication and high efficiency operation.



Cyclo® HBB
Parallel Shaft, Helical Gearbox with Cyclo® Reducer Input; features keyless, steel Taper-Grip® Bushing for easy mounting.



HSM
Helical Shaft Mounted Speed Reducer available with CEMA Screw Conveyor Drive Option.



Paramax® 9000
Right Angle and Offset Parallel Industrial Gearboxes in Universal Housing.

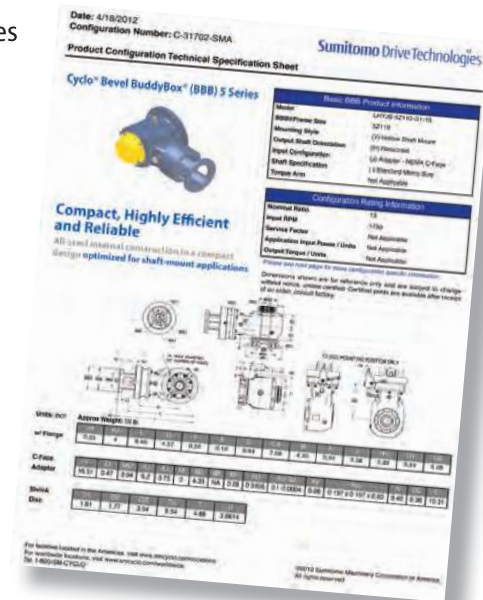
Trying to select a drive? Need more technical specifications? Need pricing?



Sumitomo Drive Technologies' online product Configurator streamlines the selection process, enabling you to build our power transmission products for your specific application*.

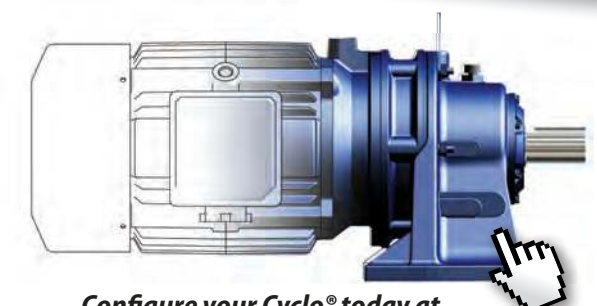
Available 24 hours a day, 7 days a week, registered users quickly receive results that include:

- ▶ Download 2D and 3D CAD files
- ▶ Product literature
- ▶ Technical specification sheet
- ▶ Product ratings
- ▶ Request for quote**
- ▶ Quotations**



This unique interactive tool is one more reason Sumitomo Drive Technologies is the world's premier power transmission and control solutions provider.

* Not all products are available for configuration
** Not available for all markets.



Configure your Cyclo® today at www.sumitomodrive.com/Configurator

► Cyclo® 6000 boasts an expanded range of standard sizes and ratings. Use this chart to select a new Cyclo® 6000 when replacing Cyclo® series 3000 and 4000 models.

CYCLO® Frame Size Cross Reference

		SERIES	
3000	4000	6000	
			6060
3075	4075	6065	6070
3085	4085	6075	6080
		6085	6090
3090	4090	6095	6095
3095	4095	6095	6100
3097	4097	6105	610H
3100	4100	6110	6115
3105	4105	6120	6125
310H	410H	612H	6130
		6135	6140
3110	4110	6145	614H
3115	4115	6160	6165
311H	4125	616H	6170
3140	4130	6175	6180
3145	4135	6185	6190
		6195	6205
3155	4145	6215	6225
315H	4155	6235	6245
3160	4160	6255	6265
3165	4165	6275	
316H	416H		
3170	4170		
3175	4175		
3180	4180		
3185	4185		
3190	4190		
3195	4195		
3205	4205		
3215	4215		
3225	4225		
3235	4235		
3245	4245		
3255	4255		
3265	4265		
3275	4275		

Table of Contents

1. General Information

2. How to Select a Speed Reducer

How to Select.	2.2
AGMA Load Classifications.	2.4
Housing Styles & Mounting Positions.	2.5
Configure a Model Number (Nomenclature).	2.6

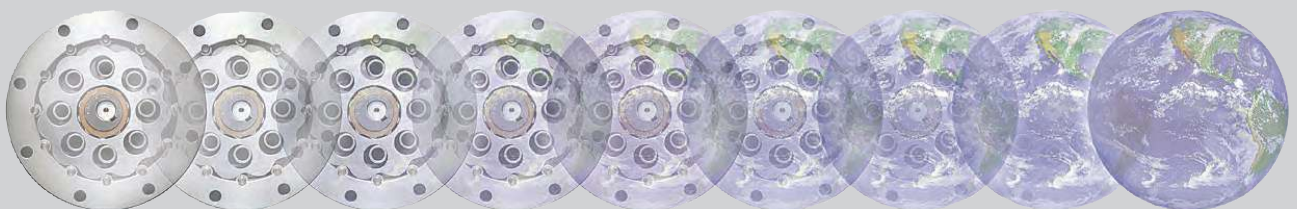
3. Selection Tables

Single Reduction.	3.1
Double Reduction.	3.23

4. Dimensions.

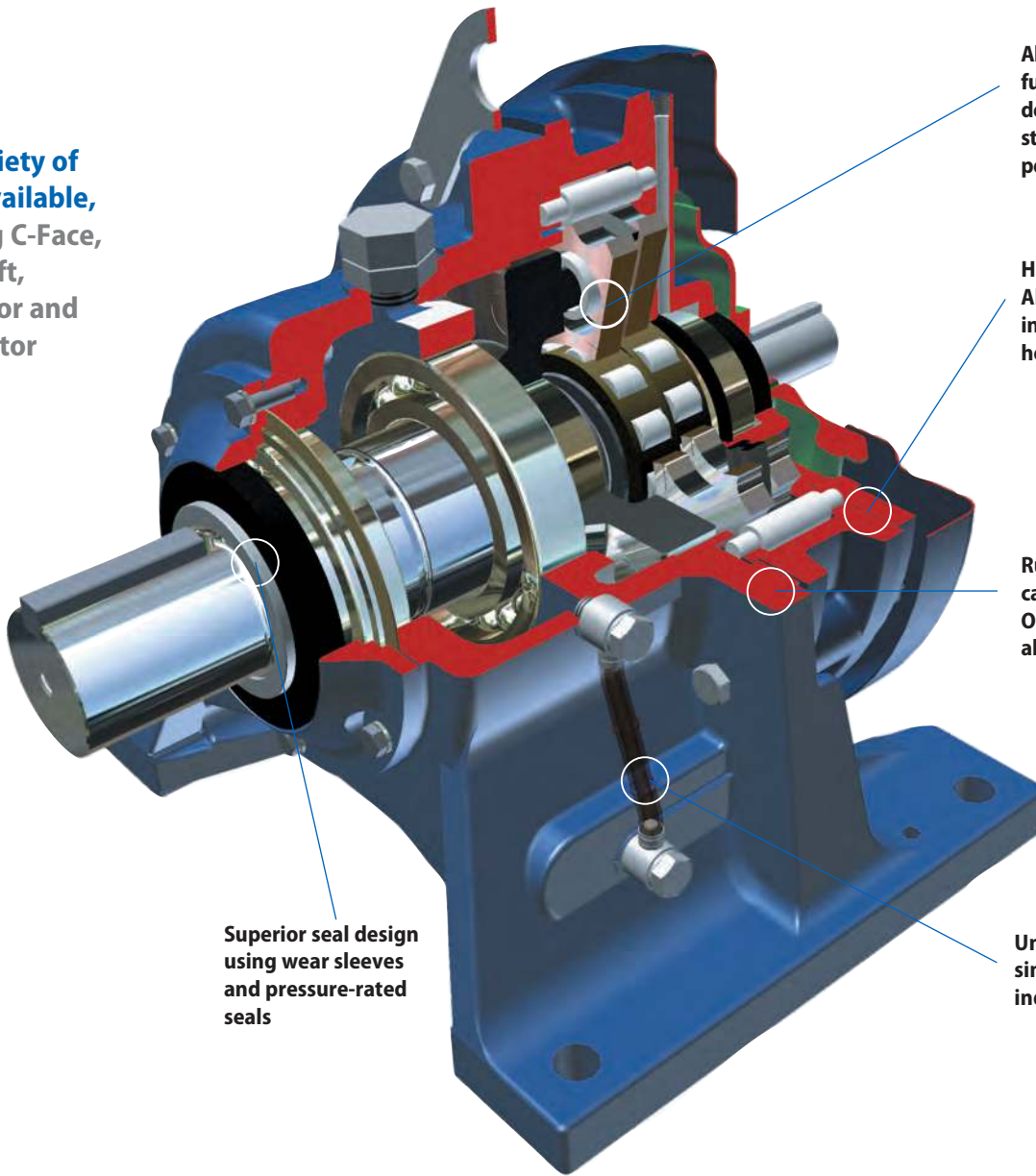
5. Technical Information

Lubrication.	5.2
Overhung Load Guidelines.	5.6
Axial Load Guidelines.	5.13
Slide Rails.	5.14
Food Industry Option Packages.	5.15
Warranty.	5.16



Cyclo® 6000

- ▶ **Wide variety of inputs available, including C-Face, Free-Shaft, Gearmotor and Brakemotor**



All rotating components are fully hardened, vacuum degassed bearing grade steel, for consistent, reliable performance

High power density. All reduction contained in compact ring gear housing

Rugged, shock-resistant cast iron housing. Optional ductile iron also available

Superior seal design using wear sleeves and pressure-rated seals

Unique oil sight gauge for simple, visible lubrication indication



Unmatched Reliability, Exceptional Performance

- ▶ Cyclo® speed reducers and gearmotors are designed to withstand shock loads exceeding 500% of their ratings



Product Description

Sumitomo Cyclo® speed reducers and gearmotors are the **premier in-line drives**. The revolutionary Cyclo® design provides **quiet, efficient and reliable performance** exceeding that of involute tooth gear designs. The key to Cyclo®'s matchless performance and reliability is that 67% of the reduction components are in contact at all times, compared to geared designs that use only limited tooth contact. Unlike geared designs, the Cyclo®'s reduction components operate in compression rather than shear, which results in **exceptionally rugged and shock resistant performance**. The Cyclo® technology coupled with innovative product options and accessories offer the most extensive range of application solutions available.

Features & Benefits

- **Cycloidal speed reduction technology**
 - ~ Quiet, efficient and reliable operation with high torque density and compact size
- **Modular design**
 - ~ Interchangeable cast iron housings in foot, flanged or face mount configurations
- **Universal mounting arrangements**
 - ~ Available free-shaft, quill hollow shaft, C-face, shovel base, and top-mount inputs
- **Internal components manufactured from hardened, vacuum-degassed, bearing grade steel**
 - ~ Minimal vibration, low noise, low backlash and extended operational life
- **The best product warranty**
 - ~ The 24 month warranty backs up the superb Cyclo® product reputation

Specifications

Sizes:	23 sizes (5lbs to 5000lbs)
Torque Rating:	55 to 603,000 lb in
HP Rating:	.10 to 235 HP
Ratio Range:	3:1 to 119:1 (single) 104:1 to 7569:1 (double) 8041:1 to 658,503:1 (triple)
Mounting:	Foot, Flange, Face Mount
Motor Standards:	NEMA, IEC, JIS, UL, CSA, CE

- ▶ **Sumitomo's Cyclo® 6000 is a highly reliable, torque dense cycloidal speed reducer and gearmotor**



- **Simple, Compact Design**
- **Rugged Forged Output Shaft**
- **Universal Mounting**
- **C-Face, Shovel Base & Top Mount Options**



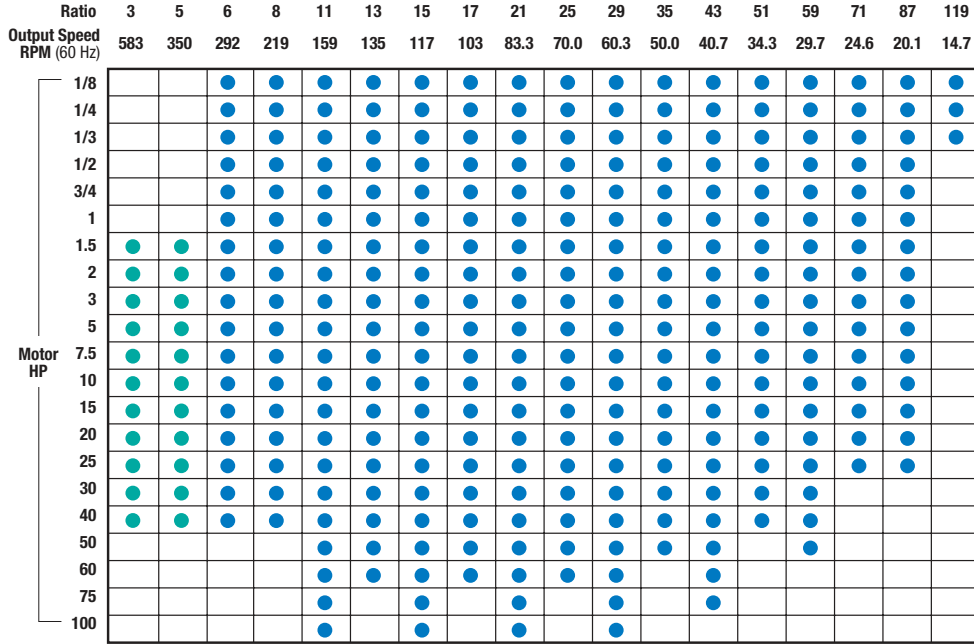
▶ Applications

- Conveyors
- Food Machinery
- Mixers
- Automotive Plants
- Recycling Machines
- Poultry Plants
- Sawmills and Wood Mills
- Wastewater Treatment
- Steel Mills
- Construction Equipment
- Paper Mills
- Processing Plants

Product Range (Standard Motor and Reducer Combinations)

Single Reduction Ratios 3 – 119

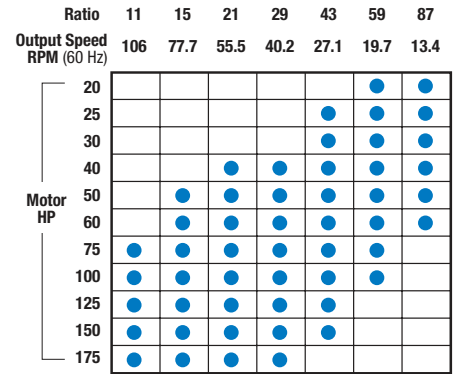
Combinations with 1750 RPM input speed



● Ratios 3 and 5 are planetary

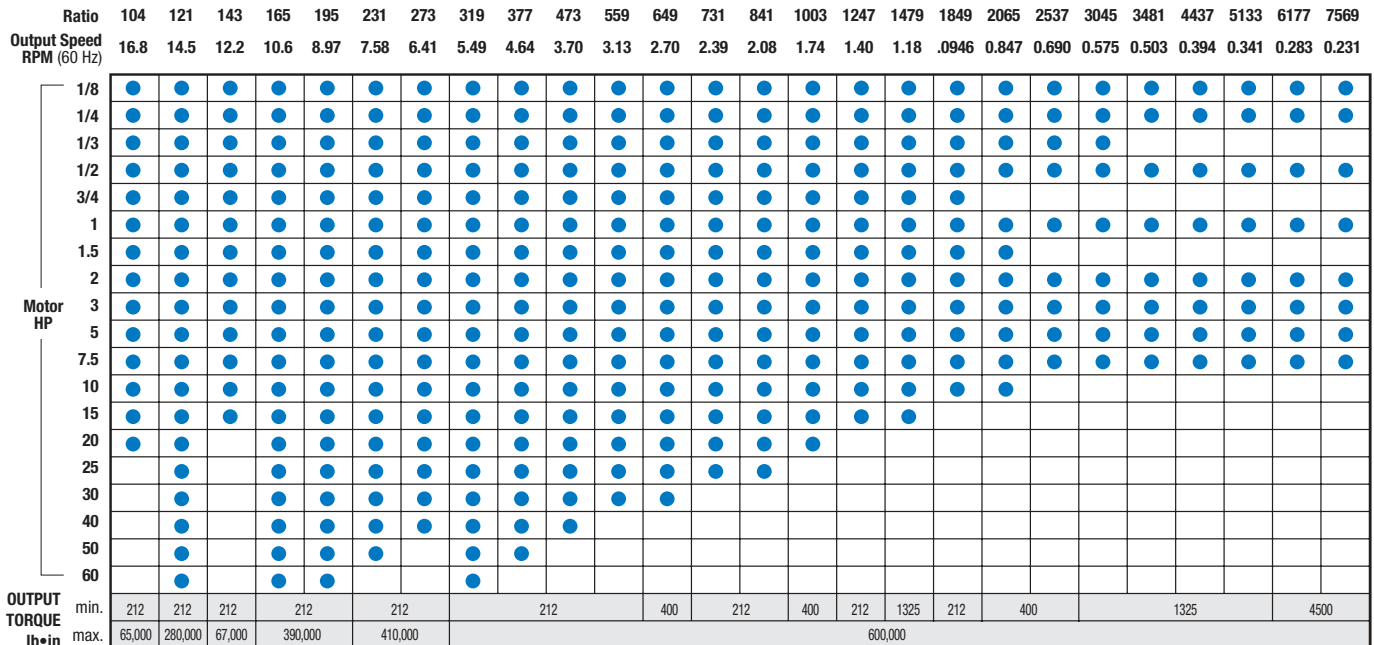
Ratios 11 – 87

Combinations with 1165 RPM input speed



Double Reduction Ratios 104 – 7569

Combinations with 1750 RPM input speed



How do I select a Cyclo® speed reducer or gearmotor?

Selection is based on the actual horsepower and/or torque requirements at the output shaft. The Cyclo® speed reducer has particularly high efficiencies over a wide range of reduction ratios, which frequently permits the use of reduced input power requirements (smaller HP motor) without sacrificing output shaft torque. The selection procedures in this catalog will guide you in choosing the most efficient reducer for your application.

What information do I need to get started in the selection process?

To select the proper reducer for your application, you will need to know:

- Application: type of driven machine
- Hours of operation per day
- Motor horsepower (HP) and speed (RPM)
- Mounting position

If there are any special environmental factors or operation requirements, they must also be noted. This information will be important in determining the Service Factor of your application.

What are Service Factors and how are they used?

In general, reducers and gearmotors are rated for the specific conditions and operating requirements of the application by the use of AGMA-defined Service Factors. There are three AGMA load classifications for reducers: uniform (U), moderate shock (M) and heavy shock (H) (page 2.3) The Service Factors are used in the product selection process to adjust for the specific conditions and operating requirements of your application.

What do I do if my application has particularly severe operating conditions?

The standard ratings for Cyclo® are based on 10-hour daily service under conditions of uniform loads (equivalent to AGMA service factor 1.0). By following the product selection process, you will determine and apply the Service Factors to compensate for the severe operating conditions.

How can I be sure that the reducer can withstand periodic excessive overloads?

Cyclo® Speed Reducers provide 500% momentary intermittent shock load capacity. For applications with shock loads greater than 500%, consult an SMA Application Engineer.

What are the standard input speeds?

In general terms, the speeds are 1750 and 1165 RPM. The selection tables in this catalog are based on 1750, 1165, 870, 580, and 50 RPM. When non-standard input speeds are used, the horsepower and torque ratings also vary.

What thermal capacity limitations does the Cyclo® have?

The Cyclo® speed reducer, by virtue of its smooth, almost frictionless operation (unlike traditional helical gears), has a thermal rating that far exceeds its mechanical capacity and all but eliminates the conventional limitations due to heat.

Common Configurations



Single Reduction,
Horizontal Flange Mount
with Hollow Shaft Input



Single Reduction, Flange Mount
with C-Face Adapter



Single Reduction, V-Flange Mount
with C-Face Adapter



Double Reduction with
C-Face Adapter

Standard Specifications

Reducer	Reduction:	Internal planetary gear mechanism with trochoidal curved tooth profile.
	Lubrication:	Grease or oil lubricated models available.
	Seals:	Nitrile material, dual lipped, double output seals available.
	Material:	Rugged cast iron or ductile housings.
	Paint Color:	Blue, Munsell color number 6.5PB 3.6/8.2

Ambient Conditions	Installation Location:	Indoors (Minimal dust and humidity)
	Ambient Temperature:	14°~104° F (-10° ~ 40° C)
	Ambient Humidity:	Under 85%
	Elevation:	Under 3,281 ft. (1000 meters)
	Atmosphere:	Well ventilated location, free of corrosive gases, explosive gases, vapors and dust.

Shaft Rotation

On single reduction Cyclo® speed reducers, ratios 3 through 119, the slow speed shaft rotates in a reverse direction to that of the high speed shaft.

On double reduction units, ratios 104 through 7569, both the high speed and the slow speed shaft rotate in the same direction.

Input Speeds

In general terms, the standard input speeds of single reduction units are 1750, 1165, 875, 580, and 50 RPM. When non-standard input speeds are used, the horsepower and torque ratings will also vary.

Thermal Capacity

The Cyclo® speed reducer's smooth, almost frictionless operation all but eliminates the conventional limitations due to heat. In all sizes, Cyclo® speed reducers have thermal ratings that exceed their mechanical capacity.

2

How to Select

How to
Select

How to Select a Speed Reducer

Step 1: Collect data about your application

Before starting you need to know the:

- **Application (e.g. Conveyor, Mixer, etc.)**
- **Hours of Operation per day**
- **Motor Horsepower (HP) and Input Speed (RPM)**
- **Desired Output Speed**
- **Mounting Position and Style**
- **Overhung or Thrust Loads**
- **Ambient Conditions**

Step 2: Select a Frame Size

2A: Find the **Load Classification** of your application in the *AGMA Load Classification Table* on page 2.4.

2B: Find the recommended **Service Factor** using the *Recommended Reducer Service Factor Table* on the right.

2C: Determine the **Selection Horsepower** by multiplying the Motor Horsepower by the Service Factor.

2D: Select a **Frame Size** from the Reducer Selection Tables on pages 3.1–3.35 by matching both the Selection Horsepower and Desired Output Speed (RPMs) to a Frame Size model number.

Step 3: Select a Housing Style and Mounting Position

Select a Housing Style from chart on page 2.5.

Step 4: Verify Dimensions

Use the Dimensions information on pages 4.1–4.97 to verify that the selected Frame Size is appropriate.

Step 5: Choose Options

The following options may apply:

- **C-Face Adapter**
- **Hollow Quill Adapter**
- **Top Motor Mount**
- **Shovel Base**

Please see the Cyclo® price list, or visit our website at www.sumitomodrive.com for other available modifications.

Step 6: Configure a Model Number

Go to page 2.6 to configure a model number.

Note: You will use the information you gather from the procedure on this page to Configure a Model Number.

The Service Factor table below presents both AGMA standard service factors and Cyclo® service factors. Cyclo® service factors are smaller than AGMA, based on the Cyclo® strength and performance experience.

If your application requires AGMA specified service factors, then the AGMA value should be used. Otherwise, the Cyclo® service factor should be used.

Service Factors		Load Classifications					
		Uniform		Moderate Shock		Heavy Shock	
Prime Mover	Service Duration	AGMA	Cyclo®	AGMA	Cyclo®	AGMA	Cyclo®
Electric Motor	1/2 hr. per day (Occasional)	0.50	0.50	0.80	0.80	1.25	1.20
	3 hrs. per day (Intermittent)	0.80	0.80	1.00	1.00	1.50	1.35
	Up to 10 hrs. per day	1.00	1.00	1.25	1.20	1.75	1.50
	24 hrs. per day	1.25	1.20	1.50	1.35	2.00	1.60
Multi Cylinder Internal Combustion Engine	1/2 hr. per day (Occasional)	0.80	0.80	1.00	1.00	1.50	1.35
	3 hrs. per day (Intermittent)	1.00	1.00	1.25	1.20	1.75	1.50
	Up to 10 hrs. per day	1.25	1.20	1.50	1.35	2.00	1.60
	24 hrs. per day	1.50	1.35	1.75	1.50	2.25	1.70
Single Cylinder Internal Combustion Engine	1/2 hr. per day (Occasional)	1.00	1.00	1.25	1.20	1.75	1.50
	3 hrs. per day (Intermittent)	1.25	1.20	1.50	1.35	2.00	1.60
	Up to 10 hrs. per day	1.50	1.35	1.75	1.50	2.25	1.70
	24 hrs. per day	1.75	1.50	2.00	1.60	2.50	1.80

How to Select

Determine Selection Horsepower (HP)

$$\text{Motor HP} \times \text{Service Factor} = \text{Selection HP}$$

Example: 10 Motor HP X 1.25 Service Factor = 12.5 Selection HP

Select a Frame Size

1 Match your OUTPUT RPM (or RATIO)...

Output RPM Ratio	543	350	292	219	159	135	117	103	83.3	FRAME SIZE
	3	5	6	8	11	13	15	17	21	
Input HP	20.2	20.2	20.3	20.3	20.3	20.3	20.3	16.1	14.8	6145
Output Torque in-lbs	2081	3469	3170	5960	7650	9030	10900	9370	10500	
Overhung Load (lbs)	1554	1843	2170	2430	2470	2560	2710	2890		
Input HP	27.2	27.2	27.2	26.4	26.4	26.4	25.1	17.8	17.3	6160
Output Torque in-lbs	2798	4654	4230	7230	9990	11890	12900	10200	12400	
Overhung Load (lbs)	1702	2019	2340	2640	2760	2860	3060	3470	3350	
Input HP	32.3	32.3	32.3	32.3	32.3	32.3	32.3	22	21.6	6165
Output Torque in-lbs	3322	5530	5030	8000	10700	12600	14500	11500	15500	
Overhung Load (lbs)	1686	1988	2280	2580	2680	2780	2980	3310	3310	
Input HP	37.0	37.0	37.0	37.0	37.0	37.0	37.0	24	26.2	6170
Output Torque in-lbs	3796	6335	5830	8800	11500	13400	15300	12300	16300	
Overhung Load (lbs)	1906	2261	2400	2700	2800	2900	3100	3500	3500	
Input HP	40.4	40.4	40.4	40.4	40.4	40.4	40.4	28	32.3	6175
Output Torque in-lbs	4141	8914	8290	12200	15900	18800	21700	17800	23200	
Overhung Load (lbs)	1906	2261	2400	2620	3020	3130	3240	3440	3680	
Input HP	-	-	-	-	47.2	47.2	43.5	41.1	40.3	6180
Output Torque in-lbs	-	-	-	-	17800	21000	22300	23800	28900	
Overhung Load (lbs)	-	-	-	-	4030	4210	4430	4670	5030	
Input HP	-	-	-	-	52.3	52.3	52.3	52.3	52.3	6185
Output Torque in-lbs	-	-	-	-	19600	23300	26800	30500	37600	

2 ...to your SELECTION HP..

3 ...to find your FRAME SIZE

If Overhung or Axial Load are present, any Overhung or Axial Load must be checked against the capacity of the selection.



For special circumstances in selecting a Frame Size such as:

- Overhung Load
- Axial Loads
- Shock Loading

Consult Technical Information, pages 5.6–5.13.

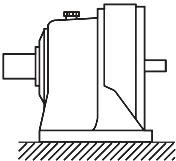
AGMA Load Classifications

TYPE OF APPLICATION	TYPE OF LOAD	TYPE OF APPLICATION	TYPE OF LOAD	TYPE OF APPLICATION	TYPE OF LOAD
Agitators		Large (industrial)	M	Paper Mills	
Pure liquids	U	Light (small diameter)	U	Agitators (mixers)	M
Liquids and solids	M	Feeders		Barker, hydraulic	S
Variable-density liquids	M	Apron	M	Barker, mechanical	S
Blowers		Belt	M	Barking drum	S
Centrifugal	U	Disc	U	Beater and pulper	M
Lobe	M	Reciprocating	H	Bleacher	U
Vane	U	Screw	M	Calenders	M
Brewing and Distilling		Food Industry		Calenders, super	H
Bottling machinery	U	Beet slicer	M	Converting machine (except cutters, platers)	M
Brew kettles, cont. duty	U	Cereal cooker	U	Conveyors	U
Cookers, cont. duty	U	Dough mixer	M	Couch	M
Mash tubs, cont. duty	U	Meat grinders	M	Cutters, platers	H
Scale hopper, frequent starts	M	Generators (Not Welding)	U	Cylinders	M
Can Filling Machines	U	Hammer Mills	H	Dryers	M
Cane Knives	M	Hoists		Felt stretcher	M
Car Dumpers	H	Heavy duty	H	Felt whipper	H
Car Pullers	M	Medium duty	M	Jordans	H
Clarifiers	U	Skip	M	Log haul	H
Classifiers	M	Laundry Washers — Reversing	M	Presses	U
Clay Working Machinery		Laundry Tumblers — Reversing	M	Pulp machine reel	M
Brick press	H	Line Shaft		Stock chest	M
Briquette machine	H	Drive processing equipment	M	Suction roll	U
Clay working machinery	M	Light	U	Washers and thickeners	M
Pug mill	M	Other line shafts	U	Winders	U
Compressors		Lumber Industry		Printing Presses	S
Centrifugal	U	Barkers — hydraulic and mechanical	S	Pullers, Barge Haul	H
Lobe	M	Burner conveyor	M	Pumps	
Reciprocating, multi-cylinder	M	Chain Saw and Drag Saw		Centrifugal	U
Reciprocating, single-cylinder	H	Chain transfer	H	Proportioning	M
Conveyors — Uniformly Loaded or Fed		Craneway transfer	H	Reciprocating	
Apron	U	De-barking drum	S	Single acting, 3 or more cylinders	M
Assembly	U	Edger feed	M	Double acting, 2 or more cylinders	M
Belt	U	Gang feed	H	Rotary-gear type	U
Bucket	U	Geen chain	M	Rubber and Plastics Industries	
Chain	U	Live rolls	H	Crackers	H
Flight	U	Log haul-lockline	H	Laboratory equipment	M
Oven	U	Log turning device	H	Mixing mills	H
Screw	U	Main log conveyor	M	Refiners	M
Conveyors — Heavy Duty, Not Uniformly Fed		Off bearing rolls	M	Rubber calenders	M
Apron	M	Planer feed chains	M	Rubber mill (2 on line)	M
Assembly	M	Planer floor chains	M	Rubber mill (3 on line)	U
Belt	M	Planer tilting hoist	M	Sheeter	M
Bucket	M	Re-saw merry-go-round conveyor	M	Tire building machines	S
Chain	M	Roll cases	H	Tire and tube press openers	S
Flight	M	Slab conveyor	H	Tubers and strainers	M
Live roll oven	M	Small waste-conveyor-belt	U	Warming mills	M
Reciprocating	H	Small waste-conveyor-chain	M	Sand Muller	M
Screw	M	Sorting table	M	Screens	
Shaker	H	Tipple hoist conveyor	M	Air washing	U
Cranes (Except for Dry Dock Cranes)		Tipple hoist drive	M	Rotary, stone or gravel	M
Main hoists	U	Transfer conveyors	M	Traveling water intake	U
Bridge travel	S	Transfer rolls	M	Sewage Disposal Equipment	
Trolley travel	S	Tray drive	M	Bar screens	U
Crusher		Trimmer feed	M	Chemical fenders	U
Ore	H	Waste conveyor	M	Collectors, circuline or straightline	U
Stone	H	Machine Tools		Dewatering screens	M
Sugar	M	Bending roll	M	Grit collectors	U
Dredges		Notching press, belt driven	S	Scum breakers	M
Cable reels	M	Plate planer	H	Slow or rapid mixers	M
Conveyors	M	Punch press, gear driven	H	Sludge collectors	U
Cutter head drives	H	Tapping machine	H	Thickeners	M
Jig drives	H	Other machine tools		Vacuum filters	M
Maneuvering winches	M	Main drives	M	Slab Pushers	M
Pumps	M	Auxiliary drives	U	Steering Gear	S
Screen drive	H	Metal Mills		Stokers	U
Stackers	M	Draw bench carriage and main drive	M	Sugar Industry	
Utility winches	M	Forming machines	H	Cane knives	M
Dry Dock Cranes	S	Pinch, dryer and scrubber rolls, reversing	S	Crushers	M
Elevators		Slitters	M	Mills	H
Bucket, uniform load	U	Table conveyors, nonreversing		Textile Industry	
Bucket, heavy load	M	Group drives	M	Batchers	M
Bucket, cont.	U	Individual drives	H	Calenders	M
Centrifugal discharge	U	Table conveyors, reversing	S	Cards	M
Escalators	U	Wire drawing and flattening machine	M	Dry cans	M
Freight	M	Wire winding machine	M	Dryers	M
Gravity discharge	U	Mills, Rotary Type		Dyeing machinery	M
Man lifts	S	Ball	M	Knitting machines	S
Passenger	S	Cement kilns	M	Looms	M
Extruders (Plastics)		Dryers and coolers	M	Mangles	M
Blow molders	M	Kilns	M	Nappers	M
Coating	U	Pebble	M	Pads	M
Film	U	Rod, plain and wedge bar	M	Range drives	S
Pipe	U	Tumbling barrels	H	Slashers	M
Pre-plasticizers	M	Mixers		Soapers	M
Rods	U	Concrete mixers, cont.	M	Spinners	M
Sheet	U	Concrete mixers, intermittent	M	Tenter frames	M
Tubing	U	Constant density	U	Washers	M
Fans		Variable density	M	Winders	M
Centrifugal	U	Oil Industry		Windlass	S
Cooling towers	S	Chillers	M		
Forced draft	S	Oil well pumps	S		
Induced draft	M	Paraffin filter press	M		
Large (mine, etc.)	M	Rotary kilns	M		

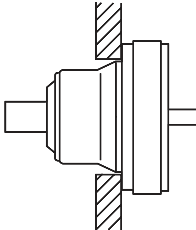
U = Uniform Load H = Heavy Shock
M = Moderate Shock S = Contact Sumitomo

Housing Styles & Mounting Positions

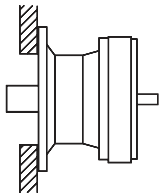
**CHH
(CNH)**



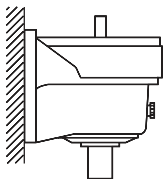
**CHF
(CNF)**



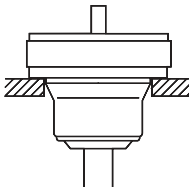
**CHV
(CNV)**



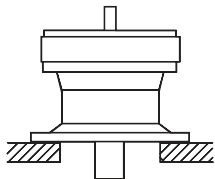
**CVH
(CNH)**



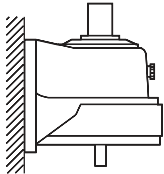
**CVF
(CNF)**



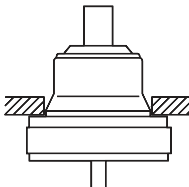
**CVV
(CNV)**



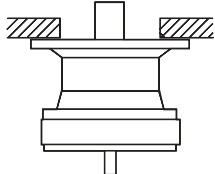
**CWH
(CNH)**



**CWF
(CNF)**

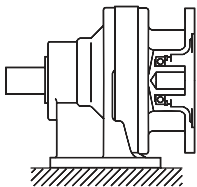


**CWV
(CNV)**

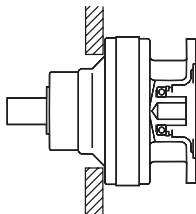


Input Side Hollow Shaft

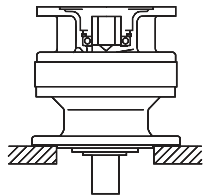
**CHHX
(CNHX)**



**CHFX
(CNFX)**

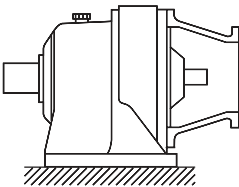


**CVVX
(CNVX)**

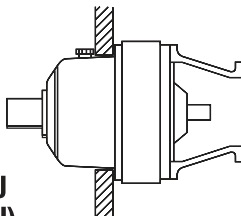


With C-Face Adapter

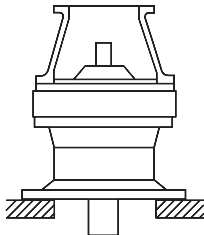
**CHHJ
(CNHJ)**



**CHFJ
(CNFJ)**



**CVVJ
(CNVJ)**



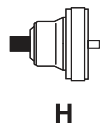
Mounting
Positions

Configure a Model Number

Nomenclature

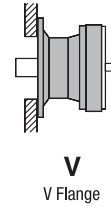
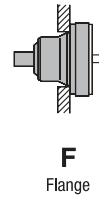
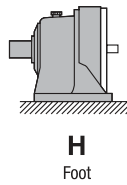
Output Shaft Orientation

Type	Prefix
Horizontal	H
Vertical	V
Vertical Up (Solid Shaft)	W
Universal Direction	N



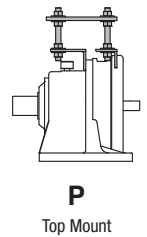
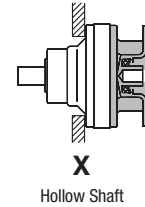
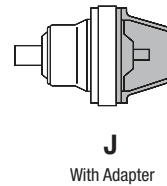
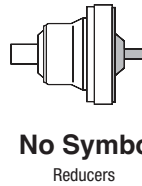
Housing Style

Type	Prefix
Foot	H
Flange	F
V-Flange	V



Input Connection

Input Connection	Prefix
None	-
C-Face Adapter	J
Hollow Input Shaft	X
Top Mount	P



Modification (Special)

	Prefix
Special	S
Standard	-

Frame Size (from Selection Tables)

Shaft Specifications

Input Shaft	Suffix
Inch	Y
Metric DIN	G
Metric JIS	-

C H H - 6 1 6 5 Y - SB - 29

Frame size

Modification (Special feature)

Input connection

Mounting style

Output shaft orientation

C = Ratios 6:1 and greater (Cyclo® Speed Reducer product code)

P = Ratios 3:1 and 5:1 (Cyclo® 6000 planetary product code)

Nomenclature

Example

CHH – 6165Y – 29

C – Cyclo® 6000 **6165** – Frame Size
H – Horizontal O/P **Y** – Inch Shaft
H – Foot Mount **29** – Ratio

Nomenclature

Reducer Specification

Type		Suffix
Torque Limiter		TL
High Capacity Bearing		R1
High Capacity Bearing Ductile Casing		R2
Baseplate		BP
Shovel Base		SB
Top Mount	Center	-
	Right	PR
	Left	PL
HH Type	Ceiling	H1
	Left Wall	H2
	Right Wall	H3
Low Backlash		LB

Nominal Total Ratio

Ratio Ratio is found here in Selection Tables

Output RPM	583	350	292	219	159	135	117	103	83.3	
Ratio	3	5	6	8	11	13	15	17	21	FRAME SIZE
Input HP	20.2	20.2	20.3	20.3	20.3	20.3	20.3	16.1	14.3	6145
Output Torque in•lbs	2081	3469	4170	5560	7650	9030	10900	9370	10500	614H
Overhung Load (lbs)	1554	1643	1960	2170	2430	2470	2580	2710	2890	
Input HP	27.2	27.2	27.2	26.4	26.4	26.4	25.1	17.6	17.3	6160
Output Torque in•lbs	2798	4664	5380	7230	9900	11800	12900	10200	12400	
Overhung Load (lbs)	1702	2019	2150	2400	2690	2690	3090	3150	3350	
Input HP	32.3	32.3	32.3	32.3	32.3	30.3	30.3	25.2	21.6	6165
Output Torque in•lbs	3322	5530	6610	8850	12200	13500	15500	14700	15500	616H
Overhung Load (lbs)	1686	1998	2130	2360	2670	2780	2950	3060	3310	
Input HP	37.0	37.0	37.0	37.0	37.0	36.6	34.2	26.4	25.2	6170
Output Torque in•lbs	3798	6335	7600	10100	13900	16300	17500	15300	16700	
Overhung Load (lbs)	1906	2261	2400	2650	3040	3150	3280	3460	3750	
Input HP	40.4	40.4	40.4	40.4	40.4	40.4	40.4	32.3	32.3	6175
Output Torque in•lbs	4141	8914	6290	11000	15200	18000	20700	18700	23200	
Overhung Load (lbs)	1906	2281	2400	2620	3020	3130	3240	3440	3880	
Input HP	-	-	-	-	47.2	47.2	43.5	41.1	40.3	6180
Output Torque in•lbs	-	-	-	-	17800	21000	22300	23800	28900	
Overhung Load (lbs)	-	-	-	-	4030	4210	4430	4670	5030	
Input HP	-	-	-	-	52.3	52.3	52.3	52.3	52.3	6185
Output Torque in•lbs	-	-	-	-	19600	23300	26800	30500	37800	

Reduction Ratios

Standard Reduction Ratios

Single Reduction								
3*	5*	6	8	11	13	15	17	21
25	29	35	43	51	59	71	87	119
Double Reduction								
104 (13x8)	121 (11x11)	143 (13x11)	165 (15x11)	195 (15x13)	231 (21x11)	273 (21x13)	319 (29x11)	377 (29x13)
473 (43x11)	559 (43x13)	649 (59x11)	731 (43x17)	841 (29x29)	1003 (59x17)	1247 (43x29)	1479 (87x17)	1849 (43x43)
2065 (59x35)	2537 (59x43)	3045 (87x35)	3481 (59x59)	4437 (87x51)	5133 (87x59)	6177 (87x71)	7569 (87x87)	

* Note: Ratios 3 and 5 are planetary.

Optional Reduction Ratios

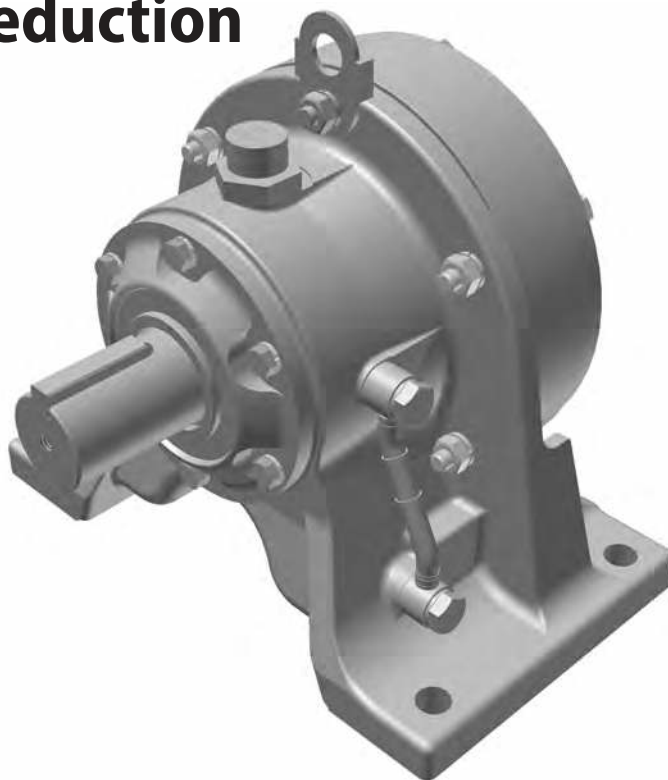
The following reduction ratios may also be available for certain specifications; please consult factory. The output shaft RPM listed in the table below represents coupling the reducer with a four-pole motor, 60 Hz, input speed 1750 RPM.

Reduction Ratio	88 (11x8)	90 (15x6)	102 (17x6)	120 (15x8)	126 (21x6)	136 (17x8)	150 (25x6)	168 (21x8)	169 (13x13)	174 (29x6)	187 (17x11)	200 (25x8)	210 (35x6)	221 (17x13)	225 (15x15)
Output Speed RPM	19.9	19.4	17.2	14.6	13.9	13.9	11.7	10.4	10.4	10.1	9.36	8.75	8.33	7.92	7.78
Reduction Ratio	232 (29x8)	255 (17x15)	258 (43x6)	275 (25x11)	280 (35x8)	289 (17x17)	306 (51x6)	315 (21x15)	325 (25x13)	344 (43x8)	354 (59x6)	357 (21x17)	375 (25x15)	385 (35x11)	408 (51x8)
Output Speed RPM	7.54	6.86	6.87	6.36	6.25	6.06	5.72	5.56	5.38	5.09	4.94	4.90	4.67	4.55	4.29
Reduction Ratio	425 (25x17)	426 (71x6)	435 (29x15)	441 (21x21)	455 (35x13)	472 (59x8)	493 (29x17)	522 (87x6)	525 (35x15)	561 (51x11)	568 (71x8)	595 (35x17)	609 (29x21)	625 (25x25)	645 (43x15)
Output Speed RPM	4.12	4.11	4.02	3.97	3.85	3.71	3.55	3.35	3.33	3.12	3.08	2.94	2.87	2.80	2.71
Reduction Ratio	663 (51x13)	696 (87x8)	725 (29x25)	735 (35x21)	765 (51x15)	767 (59x13)	781 (71x11)	867 (51x17)	875 (35x25)	885 (59x15)	903 (43x21)	923 (71x13)	957 (87x11)	1015 (35x29)	1065 (71x15)
Output Speed RPM	2.64	2.51	2.41	2.38	2.29	2.28	2.24	2.02	2.00	1.98	1.94	1.90	1.83	1.72	1.64
Reduction Ratio	1071 (51x21)	1075 (43x25)	1131 (87x13)	1207 (71x17)	1225 (35x35)	1239 (59x21)	1275 (51x25)	1305 (87x15)	1475 (59x25)	1491 (71x21)	1505 (43x35)	1711 (59x29)	1775 (71x25)	1785 (51x35)	1827 (87x21)
Output Speed RPM	1.63	1.63	1.55	1.45	1.43	1.41	1.37	1.34	1.19	1.17	1.16	1.02	0.99	0.98	0.96
Reduction Ratio	2059 (71x29)	2175 (87x25)	2193 (51x43)	2485 (71x35)	2523 (87x29)	2601 (51x51)	3009 (59x51)	3053 (71x43)	3621 (71x51)	3741 (87x43)	4189 (71x59)	5041 (71x71)			
Output Speed RPM	0.85	0.80	0.80	0.70	0.69	0.67	0.58	0.57	0.48	0.47	0.42	0.35			

3

Selection Tables

Single Reduction



Speed
Reducers

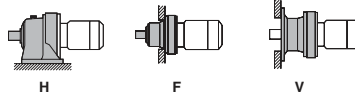
Selection
Tables

Double Reduction see page **3.23**



Frame Size Selection Tables 1750 RPM

Single Reduction, Ratios 3-21 H, F, V Housing Styles



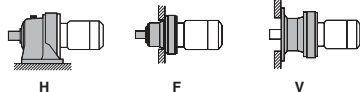
Dimensions:	Foot Mount (H)	Pages 4.2–4.19
	F-Flange (F)	4.36–4.46
	V-Flange (V)	4.62–4.80

Output RPM Ratio	583 3 ⁽¹⁾	350 5 ⁽¹⁾	292 6	219 8	159 11	135 13	117 15	103 17	83.3 21	FRAME SIZE
Input HP	-	-	0.27	0.27	0.27	0.27	0.27	0.27	0.27	6060
Output Torque (in•lbs)	-	-	55.0	73.3	101	120	138	155	193	
Overhung Load (lbs)	-	-	163	193	263	265	265	265	265	
Input HP	-	-	0.38	0.38	0.38	0.38	0.38	0.38	0.31	6065
Output Torque in•lbs	-	-	78.8	105	144	171	197	223	225	
Overhung Load (lbs)	-	-	168	192	258	265	265	265	265	
Input HP	-	-	0.47	0.47	0.47	0.47	0.47	0.47	0.43	6070
Output Torque in•lbs	-	-	95.5	128	175	207	239	270	309	
Overhung Load (lbs)	-	-	293	322	359	379	379	397	397	
Input HP	-	-	0.55	0.55	0.55	0.55	0.55	0.55	0.55	6075
Output Torque in•lbs	-	-	112	149	205	242	279	318	392	
Overhung Load (lbs)	-	-	289	320	357	375	377	397	397	
Input HP	-	-	0.80	0.80	0.80	0.80	0.80	0.80	0.64	6080
Output Torque in•lbs	-	-	163	218	299	353	408	462	461	
Overhung Load (lbs)	-	-	403	437	481	516	534	558	549	
Input HP	-	-	1.04	1.04	1.04	1.04	1.04	1.04	0.74	6085
Output Torque in•lbs	-	-	214	286	393	464	536	606	530	
Overhung Load (lbs)	-	-	401	434	476	511	529	551	547	
Input HP	-	-	1.54	1.54	1.54	1.54	1.54	1.54	1.02	6090
Output Torque in•lbs	-	-	316	420	579	684	788	894	730	
Overhung Load (lbs)	-	-	595	664	750	750	750	750	750	
Input HP	-	-	2.04	2.04	2.04	2.04	2.04	2.04	2.04	6095
Output Torque in•lbs	-	-	417	556	765	903	1040	1190	1460	
Overhung Load (lbs)	-	-	591	655	741	741	736	739	732	
Input HP	3.15	3.15	3.15	3.15	3.15	3.15	3.15	2.67	2.59	6100
Output Torque in•lbs	324	540	646	862	1190	1400	1620	1550	1860	
Overhung Load (lbs)	687	813	864	963	1090	1140	1200	1210	1210	
Input HP	4.26	4.26	4.27	4.27	4.27	4.27	4.27	3.30	3.14	6105 610H
Output Torque in•lbs	434	726	877	1170	1610	1890	2190	1910	2250	
Overhung Load (lbs)	680	806	858	952	1080	1120	1180	1210	1210	
Input HP	-	-	4.77	4.77	4.77	4.77	4.77	4.27	3.65	6110
Output Torque in•lbs	-	-	972	1300	1790	2120	2440	2470	2630	
Overhung Load (lbs)	-	-	970	1080	1230	1270	1350	1370	1460	
Input HP	-	-	5.26	5.26	5.26	5.23	5.23	5.23	4.17	6115
Output Torque in•lbs	-	-	1080	1440	1970	2330	2680	3050	3000	
Overhung Load (lbs)	-	-	968	1080	1230	1260	1340	1350	1440	
Input HP	6.80	6.80	6.81	6.81	6.81	6.81	6.81	6.81	5.32	6120
Output Torque in•lbs	699	1159	1400	1860	2560	3030	3490	3960	3810	
Overhung Load (lbs)	867	1026	1090	1210	1380	1420	1520	1530	1700	
Input HP	7.79	7.79	7.80	9.33	7.95	7.95	7.95	7.60	6.55	6125 612H
Output Torque in•lbs	796	1335	1610	2550	2990	3530	4070	4420	4700	
Overhung Load (lbs)	862	1022	1090	1200	1370	1400	1510	1520	1670	
Input HP	12.6	12.6	12.6	12.6	12.6	12.6	10.4	9.76	8.24	6130
Output Torque in•lbs	1294	2157	2590	3450	4730	5600	5360	5670	5920	
Overhung Load (lbs)	997	1181	1260	1400	1590	1650	1700	1830	1960	
Input HP	15.2	15.2	15.2	15.2	15.2	15.2	12.0	11.1	10.1	6135
Output Torque in•lbs	1557	2596	3120	4150	5700	6740	6160	6460	7260	
Overhung Load (lbs)	983	1165	1240	1380	1570	1620	1680	1810	1930	
Input HP	17.4	17.4	17.4	17.4	17.4	17.4	16.1	13.6	11.6	6140
Output Torque in•lbs	1792	2986	3580	4770	6570	7770	8250	7860	8340	
Overhung Load (lbs)	1558	1848	1970	2180	2450	2490	2600	2730	2930	

Note: [1] Ratings listed are for the horizontal mounting position; please contact factory for vertical mounting position ratings.

1750 RPM Frame Size Selection Tables

Dimensions:		Pages
Foot Mount (H)	4.2-4.19	
F-Flange (F)	4.36-4.46	
V-Flange (V)	4.62-4.80	



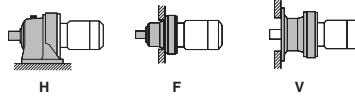
Single Reduction, Ratios 25-119 H, F, V Housing Styles

Output RPM Ratio	70.0 25	60.3 29	50.0 35	40.7 43	34.3 51	29.7 59	24.6 71	20.1 87	14.7 119	FRAME SIZE
Input HP	0.15	0.15	0.15	0.12	-	-	-	-	-	6060
Output Torque (in•lbs)	127	146	177	178	-	-	-	-	-	
Overhung Load (lbs)	265	265	265	265	-	-	-	-	-	
Input HP	0.22	0.22	0.19	0.15	-	-	-	-	-	6065
Output Torque in•lbs	190	220	230	223	-	-	-	-	-	
Overhung Load (lbs)	265	265	265	265	-	-	-	-	-	
Input HP	0.31	0.30	0.28	0.23	0.13	0.13	-	-	-	6070
Output Torque in•lbs	264	301	339	334	233	271	-	-	-	
Overhung Load (lbs)	397	397	397	397	397	397	-	-	-	
Input HP	0.40	0.38	0.37	0.30	0.19	0.18	-	-	-	6075
Output Torque in•lbs	337	380	448	446	335	367	-	-	-	
Overhung Load (lbs)	397	397	397	397	397	397	-	-	-	
Input HP	0.46	0.46	0.44	0.34	0.26	0.25	0.16	0.12	-	6080
Output Torque in•lbs	391	452	527	493	450	500	391	359	-	
Overhung Load (lbs)	569	575	575	575	575	575	575	575	-	
Input HP	0.64	0.63	0.49	0.40	0.32	0.31	0.25	0.16	-	6085
Output Torque in•lbs	544	621	595	580	563	632	609	484	-	
Overhung Load (lbs)	562	573	575	575	575	575	571	575	-	
Input HP	0.90	0.84	0.82	0.58	0.45	0.42	0.34	0.28	0.17	6090
Output Torque in•lbs	769	832	981	858	776	836	819	843	682	
Overhung Load (lbs)	750	750	750	750	750	750	750	750	750	
Input HP	1.16	1.05	1.02	0.81	0.57	0.50	0.40	0.40	0.20	6095
Output Torque in•lbs	990	1040	1220	1190	990	1010	981	1210	823	
Overhung Load (lbs)	750	750	745	750	750	750	750	750	750	
Input HP	1.70	1.62	1.31	1.05	0.75	0.69	0.59	0.58	0.28	6100
Output Torque in•lbs	1460	1610	1560	1540	1310	1400	1410	1730	1150	
Overhung Load (lbs)	1210	1210	1210	1210	1210	1210	1210	1210	1210	
Input HP	2.24	2.13	1.61	1.45	1.04	0.95	0.75	0.76	0.38	6105 610H
Output Torque in•lbs	1920	2120	1920	2140	1810	1920	1830	2260	1560	
Overhung Load (lbs)	1210	1210	1210	1210	1210	1210	1210	1210	1210	
Input HP	2.56	2.55	2.01	1.74	1.27	1.15	0.90	0.89	-	6110
Output Torque in•lbs	2200	2530	2410	2570	2200	2330	2180	2640	-	
Overhung Load (lbs)	1500	1540	1650	1710	1710	1710	1710	1710	-	
Input HP	2.98	2.98	2.43	2.04	1.49	1.36	1.02	1.02	-	6115
Output Torque in•lbs	2550	2950	2900	2990	2600	2730	2470	3030	-	
Overhung Load (lbs)	1490	1530	1640	1710	1710	1710	1710	1710	-	
Input HP	4.15	4.01	3.34	2.56	2.31	1.74	1.28	1.27	-	6120
Output Torque in•lbs	3540	3980	4010	3780	4020	3530	3120	3770	-	
Overhung Load (lbs)	1790	1860	1980	2120	2200	2200	2200	2200	-	
Input HP	5.32	5.06	4.27	3.19	3.06	2.17	1.61	1.52	-	6125 612H
Output Torque in•lbs	4540	5010	5100	4700	5330	4380	3910	4510	-	
Overhung Load (lbs)	1770	1840	1950	2100	2190	2200	2200	2200	-	
Input HP	6.93	6.01	4.98	4.01	3.41	2.94	2.46	1.91	-	6130
Output Torque in•lbs	5920	5960	5950	5910	5950	5920	5960	5660	-	
Overhung Load (lbs)	2050	2160	2290	2470	2580	2710	2890	3130	-	
Input HP	7.99	7.57	5.70	5.06	3.93	3.38	2.91	2.56	-	6135
Output Torque in•lbs	6820	7500	6820	7430	6860	6830	7070	7620	-	
Overhung Load (lbs)	2030	2130	2270	2430	2560	2690	2870	3110	-	
Input HP	9.25	7.99	6.99	5.29	4.60	3.97	3.26	2.66	-	6140
Output Torque in•lbs	7900	7920	8360	7780	8020	8010	7920	7900	-	
Overhung Load (lbs)	3090	3150	3400	3550	3590	3590	3590	3590	-	

Speed Reducers
Selection Tables

Frame Size Selection Tables 1750 RPM

Single Reduction, Ratios 3-21 H, F, V Housing Styles



Dimensions:	Foot Mount (H)	Pages 4.2-4.19
	F-Flange (F)	4.36-4.46
	V-Flange (V)	4.62-4.80

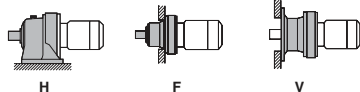
Speed Reducers
Selection Tables

Output RPM Ratio	583 3 ^[1]	350 5 ^[1]	292 6	219 8	159 11	135 13	117 15	103 17	83.3 21	FRAME SIZE
Input HP	20.2	20.2	20.3	20.3	20.3	20.3	20.3	16.1	14.8	6145 614H
Output Torque in•lbs	2081	3469	4170	5560	7650	9030	10300	9370	10500	
Overhung Load (lbs)	1554	1843	1960	2170	2430	2470	2580	2710	2890	
Input HP	27.2	27.2	27.2	26.4	26.4	26.4	25.1	17.6	17.3	6160
Output Torque in•lbs	2798	4654	5580	7230	9900	11800	12900	10200	12400	
Overhung Load (lbs)	1702	2019	2150	2400	2690	2800	3000	3150	3350	
Input HP	32.3	32.3	32.3	32.3	32.3	30.3	30.3	25.2	21.6	6165 616H
Output Torque in•lbs	3322	5530	6610	8850	12200	13500	15500	14700	15500	
Overhung Load (lbs)	1686	1998	2130	2360	2670	2780	2950	3060	3310	
Input HP	37.0	37.0	37.0	37.0	37.0	36.6	34.2	26.4	26.2	6170
Output Torque in•lbs	3796	6335	7600	10100	13900	16300	17500	15300	18700	
Overhung Load (lbs)	1906	2261	2400	2650	3040	3150	3280	3480	3750	
Input HP	40.4	40.4	40.4	40.4	40.4	40.4	40.4	32.3	32.3	6175
Output Torque in•lbs	4141	6914	8290	11000	15200	18000	20700	18700	23200	
Overhung Load (lbs)	1906	2261	2400	2620	3020	3130	3240	3440	3680	
Input HP	-	-	-	-	47.2	47.2	43.5	41.1	40.3	6180
Output Torque in•lbs	-	-	-	-	17800	21000	22300	23800	28900	
Overhung Load (lbs)	-	-	-	-	4030	4210	4430	4670	5030	
Input HP	-	-	-	-	52.3	52.3	52.3	52.3	52.3	6185
Output Torque in•lbs	-	-	-	-	19600	23300	26800	30500	37600	
Overhung Load (lbs)	-	-	-	-	4010	4190	4390	4610	4940	
Input HP	-	-	-	-	55.0	55.0	55.0	55.0	55.0	6190
Output Torque in•lbs	-	-	-	-	20700	24400	28200	31900	39500	
Overhung Load (lbs)	-	-	-	-	5690	5910	6170	6530	7010	
Input HP	-	-	-	-	64.6	64.6	64.6	64.6	64.6	6195
Output Torque in•lbs	-	-	-	-	24200	28600	33100	37500	46400	
Overhung Load (lbs)	-	-	-	-	5670	5860	6130	6480	6970	
Input HP	-	-	-	-	80.1	-	80.1	-	79.5	6205
Output Torque in•lbs	-	-	-	-	30100	-	41100	-	57000	
Overhung Load (lbs)	-	-	-	-	11000	-	11800	-	13200	
Input HP	-	-	-	-	101	-	101	-	101	6215
Output Torque in•lbs	-	-	-	-	38000	-	51800	-	72600	
Overhung Load (lbs)	-	-	-	-	11100	-	11900	-	13400	
Input HP	-	-	-	-	134	-	134	-	126	6225
Output Torque in•lbs	-	-	-	-	50200	-	68400	-	91100	
Overhung Load (lbs)	-	-	-	-	11700	-	12600	-	14000	

Note: [1] Ratings listed are for the horizontal mounting position; please contact factory for vertical mounting position ratings.

1750 RPM Frame Size Selection Tables

Dimensions:		Pages
Foot Mount (H)	4.2-4.19	
F-Flange (F)	4.36-4.46	
V-Flange (V)	4.62-4.80	



Single Reduction, Ratios 25-119 H, F, V Housing Styles

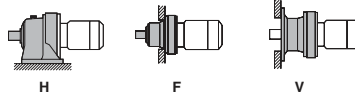
Output RPM Ratio	70.0 25	60.3 29	50.0 35	40.7 43	34.3 51	29.7 59	24.6 71	20.1 87	14.7 119	FRAME SIZE
Input HP	10.6	10.1	10.1	7.23	5.66	4.90	4.07	3.33	-	6145 614H
Output Torque in•lbs	9110	9980	12200	10600	9900	9900	9810	9900	-	
Overhung Load (lbs)	3090	3150	3350	3510	3590	3590	3590	3590	-	
Input HP	13.2	14.1	13.0	10.0	7.72	5.93	4.66	4.66	-	6160
Output Torque in•lbs	11300	14000	15500	14700	13500	12000	11300	13900	-	
Overhung Load (lbs)	3550	3660	3880	4210	4410	4920	4940	4890	-	
Input HP	20.3	15.3	15.3	10.6	10.1	7.72	7.58	5.23	-	6165 616H
Output Torque in•lbs	17300	15200	18300	15500	17600	15500	18400	15500	-	
Overhung Load (lbs)	3440	3640	3840	4190	4340	4870	4830	4870	-	
Input HP	21.2	19.2	16.1	13.1	11.3	9.60	7.95	6.46	-	6170
Output Torque in•lbs	18100	19000	19300	19200	19600	19400	19300	19200	-	
Overhung Load (lbs)	3920	4140	4410	4720	4940	5200	5530	5950	-	
Input HP	26.2	25.2	20.3	15.2	15.2	11.1	9.60	7.54	-	6175
Output Torque in•lbs	22400	25000	24100	22300	26500	22500	23300	22500	-	
Overhung Load (lbs)	3860	4080	4340	4700	4850	5160	5490	5910	-	
Input HP	32.3	26.2	25.2	20.3	16.1	13.1	11.8	9.60	-	6180
Output Torque in•lbs	27600	26000	30200	29800	28000	26400	28600	28500	-	
Overhung Load (lbs)	5270	5530	5910	6350	6640	6970	7410	8000	-	
Input HP	40.4	32.3	30.3	25.2	20.3	16.1	13.1	11.5	-	6185
Output Torque in•lbs	34600	32000	36300	37200	35200	32500	31900	34200	-	
Overhung Load (lbs)	5180	5490	5840	6260	6570	6900	7360	7960	-	
Input HP	47.2	41.2	32.6	28.1	24.4	20.5	18.1	15.8	-	6190
Output Torque in•lbs	40400	40900	39100	41300	42500	41300	44100	47000	-	
Overhung Load (lbs)	7360	7760	8220	8880	9280	9740	10300	11200	-	
Input HP	54.4	50.7	40.4	40.4	28.1	25.2	20.9	18.3	-	6195
Output Torque in•lbs	46400	50300	48400	59500	49000	51000	50800	54400	-	
Overhung Load (lbs)	7320	7690	8160	8750	9240	9680	10300	11100	-	
Input HP	-	61.3	-	42.7	-	30.3	-	21.3	-	6205
Output Torque in•lbs	-	60700	-	62800	-	61100	-	63500	-	
Overhung Load (lbs)	-	14400	-	16300	-	17800	-	18900	-	
Input HP	-	78.5	-	60.7	-	50.6	-	28.7	-	6215
Output Torque in•lbs	-	77800	-	89400	-	102000	-	85400	-	
Overhung Load (lbs)	-	14600	-	16500	-	17900	-	20300	-	
Input HP	-	101	-	75.8	-	60.7	-	35.8	-	6225
Output Torque in•lbs	-	99800	-	111000	-	122000	-	107000	-	
Overhung Load (lbs)	-	15300	-	17400	-	18900	-	21400	-	

Speed Reducers

Selection Tables

Frame Size Selection Tables 1165 RPM

Single Reduction, Ratios 3-21 H, F, V Housing Styles



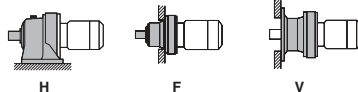
Dimensions:	Foot Mount (H)	Pages 4.2–4.19
	F-Flange (F)	4.36–4.46
	V-Flange (V)	4.62–4.80

Output RPM Ratio	388 3 ^[1]	233 5 ^[1]	194 6	146 8	106 11	89.6 13	77.7 15	68.5 17	55.5 21	FRAME SIZE
Input HP	-	-	0.27	0.27	0.27	0.27	0.27	0.24	0.20	6060
Output Torque (in•lbs)	-	-	82.7	110	151	179	207	213	213	
Overhung Load (lbs)	-	-	193	220	265	265	265	265	265	
Input HP	-	-	0.38	0.38	0.38	0.38	0.35	0.31	0.25	6065
Output Torque (in•lbs)	-	-	119	157	217	257	266	266	266	
Overhung Load (lbs)	-	-	191	218	265	265	265	265	265	
Input HP	-	-	0.47	0.47	0.47	0.47	0.47	0.46	0.37	6070
Output Torque (in•lbs)	-	-	143	191	263	311	358	398	398	
Overhung Load (lbs)	-	-	331	364	397	397	397	397	397	
Input HP	-	-	0.55	0.55	0.55	0.55	0.55	0.55	0.49	6075
Output Torque (in•lbs)	-	-	168	224	309	365	420	477	531	
Overhung Load (lbs)	-	-	331	362	397	397	397	397	397	
Input HP	-	-	0.80	0.80	0.80	0.80	0.80	0.80	0.63	6080
Output Torque (in•lbs)	-	-	245	326	449	531	612	694	683	
Overhung Load (lbs)	-	-	461	496	547	575	575	575	575	
Input HP	-	-	1.04	1.04	1.04	1.04	1.04	1.01	0.63	6085
Output Torque (in•lbs)	-	-	321	429	589	696	804	885	683	
Overhung Load (lbs)	-	-	456	492	540	575	575	575	575	
Input HP	-	-	1.54	1.54	1.54	1.54	1.54	1.52	1.02	6090
Output Torque (in•lbs)	-	-	474	632	868	1020	1190	1330	1090	
Overhung Load (lbs)	-	-	677	750	750	750	750	750	750	
Input HP	-	-	2.04	2.04	2.04	2.04	2.04	2.03	1.64	6095
Output Torque (in•lbs)	-	-	627	835	1150	1350	1560	1770	1770	
Overhung Load (lbs)	-	-	670	739	750	750	750	750	750	
Input HP	3.15	3.15	3.15	3.15	3.15	3.15	2.87	2.54	2.05	6100
Output Torque (in•lbs)	487	814	972	1290	1780	2110	2210	2210	2210	
Overhung Load (lbs)	781	925	983	1090	1210	1210	1210	1210	1210	
Input HP	4.26	4.26	4.27	4.27	4.27	3.97	3.45	3.05	2.46	6105 610H
Output Torque (in•lbs)	655	1097	1320	1750	2400	2660	2660	2660	2660	
Overhung Load (lbs)	770	914	970	1080	1210	1210	1210	1210	1210	
Input HP	-	-	4.77	4.77	4.77	4.77	4.13	3.65	2.95	6110
Output Torque (in•lbs)	-	-	1470	1950	2690	3180	3190	3190	3190	
Overhung Load (lbs)	-	-	1100	1230	1390	1430	1530	1560	1660	
Input HP	-	-	5.26	5.26	5.26	5.23	4.83	4.26	3.45	6115
Output Torque (in•lbs)	-	-	1620	2160	2980	3500	3720	3720	3720	
Overhung Load (lbs)	-	-	1100	1220	1380	1420	1520	1540	1640	
Input HP	6.80	6.80	6.81	6.81	6.81	6.81	6.03	5.28	4.28	6120
Output Torque (in•lbs)	1053	1752	2100	2790	3840	4540	4640	4600	4620	
Overhung Load (lbs)	981	1165	1240	1380	1550	1600	1720	1750	1940	
Input HP	7.15	7.15	9.34	9.15	7.93	7.17	7.23	6.39	5.17	6125 612H
Output Torque (in•lbs)	1106	1840	2870	3760	4480	4770	5570	5570	5570	
Overhung Load (lbs)	965	1145	1220	1350	1540	1590	1700	1730	1910	
Input HP	12.6	12.6	12.6	12.6	12.2	10.3	8.97	7.91	6.4	6130
Output Torque (in•lbs)	1938	3238	3890	5170	6900	6900	6900	6900	6900	
Overhung Load (lbs)	1120	1329	1410	1570	1780	1880	1930	2080	2250	
Input HP	15.2	15.2	15.2	14.1	14.4	11.6	10.8	9.53	7.64	6135
Output Torque (in•lbs)	2336	3893	4670	5790	8110	7750	8320	8320	8230	
Overhung Load (lbs)	1102	1309	1390	1550	1760	1860	1900	2050	2200	
Input HP	17.4	17.4	17.4	17.4	17.4	16.2	14.1	12.4	10.1	6140
Output Torque (in•lbs)	2690	4477	5390	7180	9900	10900	10900	10900	10900	
Overhung Load (lbs)	1749	2075	2200	2450	2730	2780	2950	3090	3310	

Note: [1] Ratings listed are for the horizontal mounting position; please contact factory for vertical mounting position ratings.

1165 RPM Frame Size Selection Tables

Dimensions:		Pages
Foot Mount (H)	4.2-4.19	
F-Flange (F)	4.36-4.46	
V-Flange (V)	4.62-4.80	



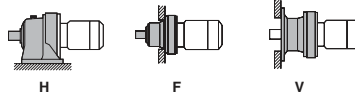
Single Reduction, Ratios 25-119 H, F, V Housing Styles

Output RPM Ratio	46.6 25	40.2 29	33.3 35	27.1 43	22.8 51	19.7 59	16.4 71	13.4 87	9.79 119	FRAME SIZE
Input HP	0.15	0.14	0.12	0.10	-	-	-	-	-	6060
Output Torque (in•lbs)	189	213	213	213	-	-	-	-	-	
Overhung Load (lbs)	265	265	265	265	-	-	-	-	-	
Input HP	0.21	0.18	0.15	0.12	-	-	-	-	-	6065
Output Torque (in•lbs)	266	266	266	266	-	-	-	-	-	
Overhung Load (lbs)	265	265	265	265	-	-	-	-	-	
Input HP	0.31	0.27	0.22	0.18	0.13	0.13	-	-	-	6070
Output Torque (in•lbs)	396	398	398	398	352	398	-	-	-	
Overhung Load (lbs)	397	397	397	397	397	397	-	-	-	
Input HP	0.38	0.35	0.30	0.24	0.18	0.15	-	-	-	6075
Output Torque (in•lbs)	483	528	531	531	479	468	-	-	-	
Overhung Load (lbs)	397	397	397	373	366	373	-	-	-	
Input HP	0.46	0.46	0.33	0.32	0.26	0.23	0.16	0.12	-	6080
Output Torque (in•lbs)	586	680	604	707	675	707	587	540	-	
Overhung Load (lbs)	575	569	575	571	564	564	575	575	-	
Input HP	0.64	0.60	0.38	0.40	0.32	0.29	0.19	0.16	-	6085
Output Torque (in•lbs)	818	885	681	868	848	885	698	727	-	
Overhung Load (lbs)	551	516	575	531	525	518	556	547	-	
Input HP	0.90	0.84	0.74	0.58	0.45	0.40	0.32	0.28	0.16	6090
Output Torque (in•lbs)	1160	1250	1330	1290	1170	1220	1170	1270	955	
Overhung Load (lbs)	745	743	741	745	745	745	743	747	743	
Input HP	1.14	1.05	0.93	0.72	0.49	0.40	0.32	0.30	0.16	6095
Output Torque (in•lbs)	1470	1560	1680	1590	1270	1220	1170	1340	955	
Overhung Load (lbs)	730	728	723	732	739	745	743	743	743	
Input HP	1.70	1.49	1.23	1.00	0.75	0.69	0.59	0.50	0.28	6100
Output Torque (in•lbs)	2190	2210	2210	2210	1960	2100	2140	2210	1730	
Overhung Load (lbs)	1210	1210	1210	1210	1210	1210	1210	1210	1210	
Input HP	2.07	1.79	1.48	1.20	0.94	0.81	0.60	0.57	0.35	6105 610H
Output Torque (in•lbs)	2660	2660	2660	2660	2460	2450	2200	2550	2150	
Overhung Load (lbs)	1210	1210	1210	1210	1210	1210	1210	1140	1200	
Input HP	2.48	2.13	1.77	1.45	1.22	1.05	0.87	0.71	-	6110
Output Torque (in•lbs)	3190	3190	3190	3190	3190	3190	3190	3190	-	
Overhung Load (lbs)	1650	1620	1640	1710	1710	1710	1700	1710	-	
Input HP	2.90	2.50	2.07	1.68	1.42	1.23	1.02	0.83	-	6115
Output Torque (in•lbs)	3720	3720	3720	3720	3720	3720	3710	3720	-	
Overhung Load (lbs)	1610	1580	1590	1660	1660	1670	1670	1660	-	
Input HP	3.62	3.09	2.59	2.11	1.77	1.53	1.28	1.04	-	6120
Output Torque (in•lbs)	4640	4600	4640	4640	4640	4640	4640	4640	-	
Overhung Load (lbs)	2040	2130	2200	2200	2200	2200	2200	2200	-	
Input HP	4.35	3.74	3.1	2.52	2.13	1.84	1.29	1.17	-	6125 612H
Output Torque (in•lbs)	5570	5570	5570	5570	5570	5570	4700	5200	-	
Overhung Load (lbs)	2020	2110	2200	2200	2200	2200	2200	2170	-	
Input HP	5.38	4.63	3.84	3.13	2.78	2.40	2.00	1.62	-	6130
Output Torque (in•lbs)	6900	6900	6900	6900	7270	7270	7270	7270	-	
Overhung Load (lbs)	2340	2470	2600	2820	2950	3110	3310	3310	-	
Input HP	6.20	5.54	4.63	3.77	2.90	2.77	2.30	1.88	-	6135
Output Torque (in•lbs)	7960	8250	8320	8320	7580	8380	8380	8380	-	
Overhung Load (lbs)	2310	2450	2580	2780	2950	3090	3280	3310	-	
Input HP	8.44	7.28	6.03	4.91	4.13	3.58	2.98	2.43	-	6140
Output Torque (in•lbs)	10900	10900	10900	10900	10900	10900	10900	10900	-	
Overhung Load (lbs)	3460	3550	3590	3590	3590	3590	3590	3590	-	

Speed Reducers
Selection Tables

Frame Size Selection Tables 1165 RPM

Single Reduction, Ratios 3-21 H, F, V Housing Styles



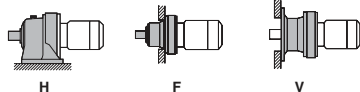
Dimensions:	Foot Mount (H)	Pages 4.2-4.19
	F-Flange (F)	4.36-4.46
	V-Flange (V)	4.62-4.80

Output RPM Ratio	388 3 ⁽¹⁾	233 5 ⁽¹⁾	194 6	146 8	106 11	89.6 13	77.7 15	68.5 17	55.5 21	FRAME SIZE
Input HP	18.6	18.6	18.7	17.9	18.5	18.1	15.6	13.8	10.8	6145 614H
Output Torque (in•lbs)	2876	4796	5760	7330	10400	12100	12100	12200	11600	
Overhung Load (lbs)	1747	2070	2200	2450	2710	2780	2930	3060	3280	
Input HP	27.0	27.0	27.2	26.4	26.4	23.2	20.1	17.6	14.4	6160
Output Torque (in•lbs)	4159	6928	8380	10900	14900	15500	15500	15300	15500	
Overhung Load (lbs)	1888	2239	2430	2690	3040	3200	3400	3530	3810	
Input HP	27.0	27.0	32.3	32.3	32.3	27.8	24.2	21.3	17.2	6165 616H
Output Torque (in•lbs)	4159	6928	9900	13300	18200	18600	18600	18600	18600	
Overhung Load (lbs)	1888	2239	2380	2650	2980	3150	3350	3480	3770	
Input HP	37.0	37.0	37.0	37.0	37.0	33.6	29.1	25.6	20.8	6170
Output Torque (in•lbs)	5707	9512	11400	15200	20900	22400	22400	22400	22400	
Overhung Load (lbs)	2155	2557	2710	3000	3400	3550	3730	3900	4300	
Input HP	40.4	40.4	40.4	40.4	40.4	40.4	34.1	31.9	25.9	6175
Output Torque (in•lbs)	6229	10379	12500	16700	22800	27000	26300	27900	27900	
Overhung Load (lbs)	2138	2535	2690	2980	3350	3460	3660	3810	4210	
Input HP	-	-	-	-	47.2	47.2	43.5	41.1	33.3	6180
Output Torque (in•lbs)	-	-	-	-	26700	31500	33400	35800	35800	
Overhung Load (lbs)	-	-	-	-	4560	4720	4960	5270	5730	
Input HP	-	-	-	-	52.3	52.3	45.6	43.4	41.1	6185
Output Torque (in•lbs)	-	-	-	-	29500	35000	35200	37800	44300	
Overhung Load (lbs)	-	-	-	-	4540	4700	4940	5250	5640	
Input HP	-	-	-	-	55.0	55.0	55.0	55.0	52.3	6190
Output Torque (in•lbs)	-	-	-	-	31100	36700	42400	48100	56400	
Overhung Load (lbs)	-	-	-	-	6460	6680	6990	7360	7960	
Input HP	-	-	-	-	64.6	64.6	64.6	64.6	64.6	6195
Output Torque (in•lbs)	-	-	-	-	36500	43100	49700	56300	69600	
Overhung Load (lbs)	-	-	-	-	6420	6640	6920	7280	7850	
Input HP	-	-	-	-	80.1	-	80.1	-	73.4	6205
Output Torque (in•lbs)	-	-	-	-	45200	-	61600	-	79200	
Overhung Load (lbs)	-	-	-	-	12400	-	13200	-	14800	
Input HP	-	-	-	-	101	-	101	-	101	6215
Output Torque (in•lbs)	-	-	-	-	57000	-	77900	-	109000	
Overhung Load (lbs)	-	-	-	-	12400	-	13300	-	14900	
Input HP	-	-	-	-	134	-	134	-	121	6225
Output Torque (in•lbs)	-	-	-	-	75400	-	102000	-	131000	
Overhung Load (lbs)	-	-	-	-	13100	-	14100	-	15700	
Input HP	-	-	-	-	152	-	152	-	131	6235
Output Torque (in•lbs)	-	-	-	-	85700	-	117000	-	141000	
Overhung Load (lbs)	-	-	-	-	16400	-	17500	-	19700	
Input HP	-	-	-	-	177	-	177	-	161	6245
Output Torque (in•lbs)	-	-	-	-	99800	-	136000	-	174000	
Overhung Load (lbs)	-	-	-	-	18300	-	19500	-	21800	
Input HP	-	-	-	-	203	-	203	-	203	6255
Output Torque (in•lbs)	-	-	-	-	114000	-	155000	-	218000	
Overhung Load (lbs)	-	-	-	-	22500	-	24000	-	26500	
Input HP	-	-	-	-	235	-	235	-	231	6265
Output Torque (in•lbs)	-	-	-	-	133000	-	181000	-	248000	
Overhung Load (lbs)	-	-	-	-	27300	-	29300	-	32600	
Input HP	-	-	-	-	-	-	-	-	-	6275
Output Torque (in•lbs)	-	-	-	-	-	-	-	-	-	
Overhung Load (lbs)	-	-	-	-	-	-	-	-	-	

Note: [1] Ratings listed are for the horizontal mounting position; please contact factory for vertical mounting position ratings.

1165 RPM Frame Size Selection Tables

Dimensions:		Pages
Foot Mount (H)	4.2-4.19	
F-Flange (F)	4.36-4.46	
V-Flange (V)	4.62-4.80	



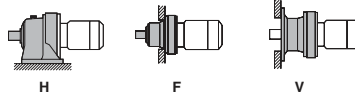
Single Reduction, Ratios 25-119 H, F, V Housing Styles

Output RPM Ratio	46.6 25	40.2 29	33.3 35	27.1 43	22.8 51	19.7 59	16.4 71	13.4 87	9.79 119	FRAME SIZE
Input HP	9.45	8.15	6.75	5.30	4.20	3.61	2.98	2.46	-	6145 614H
Output Torque (in•lbs)	12200	12200	12200	11700	10900	10900	10900	10900	-	
Overhung Load (lbs)	3460	3530	3590	3570	3590	3590	3590	3590	-	
Input HP	12.1	10.4	8.64	6.95	5.93	5.13	4.26	3.48	-	6160
Output Torque (in•lbs)	15500	15500	15500	15400	15500	15500	15500	15500	-	
Overhung Load (lbs)	4010	4210	4500	4830	4960	4960	4960	4960	-	
Input HP	14.5	12.5	10.3	8.42	7.10	6.13	5.10	4.07	-	6165 616H
Output Torque (in•lbs)	18600	18600	18600	18600	18600	18600	18600	18100	-	
Overhung Load (lbs)	3970	4170	4450	4760	4960	4960	4960	4890	-	
Input HP	17.4	15.0	12.5	10.1	8.55	7.39	6.15	5.01	-	6170
Output Torque (in•lbs)	22400	22400	22400	22400	22400	22400	22400	22400	-	
Overhung Load (lbs)	4480	4740	5050	5420	5670	5950	6330	6640	-	
Input HP	21.7	18.7	15.6	12.6	10.6	9.20	7.64	6.24	-	6175
Output Torque (in•lbs)	27900	27900	27900	27900	27900	27900	27900	27900	-	
Overhung Load (lbs)	4410	4650	4960	5340	5600	5890	6260	6640	-	
Input HP	27.9	24.0	20.0	16.2	13.7	11.8	9.83	8.03	-	6180
Output Torque (in•lbs)	35800	35800	35800	35900	35800	35800	35800	35900	-	
Overhung Load (lbs)	5970	6260	6750	7250	7560	7940	8440	9130	-	
Input HP	34.5	29.7	24.6	20.0	16.9	14.6	11.0	9.9	-	6185
Output Torque (in•lbs)	44300	44300	44300	44300	44300	44300	39900	44300	-	
Overhung Load (lbs)	5890	6190	6680	7170	7470	7850	8400	9060	-	
Input HP	44.0	38.0	31.4	25.2	21.6	18.7	15.4	12.6	-	6190
Output Torque (in•lbs)	56400	56400	56400	55800	56400	56400	56400	56400	-	
Overhung Load (lbs)	8360	8820	9350	10100	10600	11100	11800	12800	-	
Input HP	54.4	47.2	39.2	30.9	26.8	23.2	19.3	15.7	-	6195
Output Torque (in•lbs)	69700	70400	70400	68100	70400	70400	70400	70400	-	
Overhung Load (lbs)	8250	8690	9240	10000	10400	11000	11700	12700	-	
Input HP	-	53.2	-	37.3	-	26.2	-	17.3	-	6205
Output Torque (in•lbs)	-	79200	-	82300	-	79200	-	77500	-	
Overhung Load (lbs)	-	16200	-	18300	-	18900	-	18900	-	
Input HP	-	75.2	-	50.7	-	36.9	-	22.3	-	6215
Output Torque (in•lbs)	-	112000	-	112000	-	112000	-	99800	-	
Overhung Load (lbs)	-	16300	-	18500	-	20200	-	22900	-	
Input HP	-	89.4	-	64.2	-	44.7	-	29.8	-	6225
Output Torque (in•lbs)	-	133000	-	141000	-	135000	-	134000	-	
Overhung Load (lbs)	-	17200	-	19500	-	21300	-	24000	-	
Input HP	-	101	-	72.9	-	50.6	-	32.2	-	6235
Output Torque (in•lbs)	-	150000	-	161000	-	153000	-	143000	-	
Overhung Load (lbs)	-	21600	-	24300	-	26700	-	30200	-	
Input HP	-	126	-	101	-	75.4	-	43.1	-	6245
Output Torque (in•lbs)	-	188000	-	223000	-	228000	-	192000	-	
Overhung Load (lbs)	-	24000	-	26900	-	29500	-	33500	-	
Input HP	-	158	-	119	-	87	-	57.6	-	6255
Output Torque (in•lbs)	-	236000	-	264000	-	264000	-	257000	-	
Overhung Load (lbs)	-	29500	-	33100	-	36200	-	41000	-	
Input HP	-	213	-	152	-	126	-	71.7	-	6265
Output Torque (in•lbs)	-	318000	-	334000	-	383000	-	320000	-	
Overhung Load (lbs)	-	35900	-	40300	-	44300	-	49800	-	
Input HP	-	213	-	203	-	177	-	71.7	-	6275
Output Torque (in•lbs)	-	318000	-	447000	-	536000	-	320000	-	
Overhung Load (lbs)	-	41900	-	55800	-	55600	-	46700	-	

Speed Reducers
Selection Tables

Frame Size Selection Tables 870 RPM

Single Reduction, Ratios 3-21 H, F, V Housing Styles



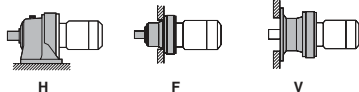
Dimensions:	Foot Mount (H)	Pages 4.2-4.19
	F-Flange (F)	4.36-4.46
	V-Flange (V)	4.62-4.80

Output RPM Ratio	290 3 ⁽¹⁾	174 5 ⁽¹⁾	145 6	109 8	79.1 11	66.9 13	58.0 15	51.2 17	41.4 21	FRAME SIZE
Input HP	-	-	0.27	0.27	0.27	0.24	0.21	0.18	0.15	6060
Output Torque (in•lbs)	-	-	110	148	202	213	213	213	213	
Overhung Load (lbs)	-	-	211	240	265	265	265	265	265	
Input HP	-	-	0.38	0.38	0.35	0.30	0.26	0.23	0.18	6065
Output Torque (in•lbs)	-	-	158	212	266	266	266	266	266	
Overhung Load (lbs)	-	-	209	227	256	265	265	265	265	
Input HP	-	-	0.47	0.47	0.47	0.45	0.39	0.34	0.28	6070
Output Torque (in•lbs)	-	-	192	256	352	398	398	398	398	
Overhung Load (lbs)	-	-	362	397	397	397	397	397	397	
Input HP	-	-	0.55	0.49	0.53	0.50	0.50	0.45	0.37	6075
Output Torque (in•lbs)	-	-	226	266	404	446	510	531	531	
Overhung Load (lbs)	-	-	359	397	397	397	397	397	397	
Input HP	-	-	0.80	0.80	0.80	0.79	0.69	0.61	0.47	6080
Output Torque (in•lbs)	-	-	328	437	601	707	707	707	683	
Overhung Load (lbs)	-	-	503	545	575	575	575	575	575	
Input HP	-	-	1.04	1.04	1.04	0.99	0.86	0.76	0.47	6085
Output Torque (in•lbs)	-	-	431	575	786	885	885	885	683	
Overhung Load (lbs)	-	-	498	538	575	575	575	575	575	
Input HP	-	-	1.54	1.54	1.54	1.49	1.29	1.14	0.92	6090
Output Torque (in•lbs)	-	-	635	846	1160	1330	1330	1330	1330	
Overhung Load (lbs)	-	-	739	750	750	750	750	750	750	
Input HP	-	-	2.04	2.04	1.92	1.85	1.72	1.52	1.23	6095
Output Torque (in•lbs)	-	-	838	1110	1450	1660	1770	1770	1770	
Overhung Load (lbs)	-	-	728	750	750	750	750	750	750	
Input HP	3.15	3.15	3.15	3.15	2.93	2.47	2.15	1.89	1.53	6100
Output Torque (in•lbs)	655	1088	1300	1740	2210	2210	2210	2210	2210	
Overhung Load (lbs)	853	1013	1080	1190	1210	1210	1210	1210	1210	
Input HP	3.66	3.66	3.66	3.41	3.50	2.97	2.58	2.27	1.84	6105 610H
Output Torque (in•lbs)	752	1256	1510	1870	2660	2660	2660	2660	2660	
Overhung Load (lbs)	849	1006	1070	1190	1210	1210	1210	1210	1210	
Input HP	-	-	4.15	4.77	4.21	3.57	3.09	2.72	2.20	6110
Output Torque (in•lbs)	-	-	1710	2620	3190	3190	3190	3190	3190	
Overhung Load (lbs)	-	-	1210	1340	1530	1590	1700	1710	1710	
Input HP	-	-	4.15	5.26	4.91	4.16	3.61	3.18	2.58	6115
Output Torque (in•lbs)	-	-	1710	2890	3720	3720	3720	3720	3720	
Overhung Load (lbs)	-	-	1210	1330	1510	1570	1690	1690	1680	
Input HP	5.82	5.82	6.81	6.81	6.15	5.19	4.51	3.93	3.19	6120
Output Torque (in•lbs)	1203	2000	2800	3740	4640	4640	4640	4600	4620	
Overhung Load (lbs)	1073	1273	1350	1500	1700	1770	1910	1940	2140	
Input HP	5.82	5.82	7.84	7.32	6.35	5.73	5.41	4.77	3.87	6125 612H
Output Torque (in•lbs)	1203	2000	3240	4030	4790	5120	5570	5570	5570	
Overhung Load (lbs)	1062	1260	1340	1490	1700	1760	1890	1920	2120	
Input HP	11.1	11.1	11.2	11.0	9.13	7.72	6.70	5.91	4.78	6130
Output Torque (in•lbs)	2300	3840	4600	6030	6900	6900	6900	6900	6900	
Overhung Load (lbs)	1228	1455	1550	1720	1980	2080	2140	2310	2470	
Input HP	12.2	12.2	12.2	11.3	11.0	9.29	8.07	7.11	5.76	6135
Output Torque (in•lbs)	2522	4203	5030	6210	8320	8300	8320	8320	8320	
Overhung Load (lbs)	1217	1444	1530	1720	1950	2060	2110	2270	2450	
Input HP	14.6	14.6	15.0	14.2	14.4	12.1	10.5	9.28	7.50	6140
Output Torque (in•lbs)	3017	5035	6180	7850	10900	10900	10900	10900	10900	
Overhung Load (lbs)	1906	2261	2400	2670	3000	3060	3220	3370	3590	

Note: [1] Ratings listed are for the horizontal mounting position; please contact factory for vertical mounting position ratings.

870 RPM Frame Size Selection Tables

Dimensions:		Pages
Foot Mount (H)	4.2-4.19	
F-Flange (F)	4.36-4.46	
V-Flange (V)	4.62-4.80	



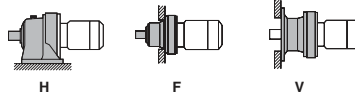
Single Reduction, Ratios 25-119 H, F, V Housing Styles

Output RPM Ratio	34.8 25	30.0 29	24.9 35	20.2 43	17.1 51	14.7 59	12.3 71	10.0 87	7.31 119	FRAME SIZE
Input HP	0.12	0.11	0.089	0.072	-	-	-	-	-	6060
Output Torque (in•lbs)	213	213	213	213	-	-	-	-	-	
Overhung Load (lbs)	265	265	265	265	-	-	-	-	-	
Input HP	0.15	0.13	0.11	0.090	-	-	-	-	-	6065
Output Torque (in•lbs)	266	266	266	266	-	-	-	-	-	
Overhung Load (lbs)	265	265	265	265	-	-	-	-	-	
Input HP	0.23	0.20	0.17	0.13	0.11	0.098	-	-	-	6070
Output Torque (in•lbs)	398	398	398	398	398	398	-	-	-	
Overhung Load (lbs)	397	397	397	397	392	397	-	-	-	
Input HP	0.30	0.27	0.22	0.18	0.14	0.12	-	-	-	6075
Output Torque (in•lbs)	516	531	531	531	503	502	-	-	-	
Overhung Load (lbs)	397	397	397	373	355	359	-	-	-	
Input HP	0.41	0.36	0.276	0.24	0.20	0.17	0.13	0.12	-	6080
Output Torque (in•lbs)	707	707	652	707	707	707	652	707	-	
Overhung Load (lbs)	575	562	575	571	558	564	564	551	-	
Input HP	0.52	0.44	0.312	0.30	0.25	0.22	0.16	0.15	-	6085
Output Torque (in•lbs)	885	885	751	885	885	885	770	885	-	
Overhung Load (lbs)	531	516	545	527	514	518	540	507	-	
Input HP	0.77	0.67	0.55	0.45	0.38	0.32	0.24	0.22	0.12	6090
Output Torque (in•lbs)	1330	1330	1330	1330	1320	1290	1170	1330	955	
Overhung Load (lbs)	736	739	741	743	736	741	743	743	743	
Input HP	0.91	0.86	0.74	0.58	0.39	0.32	0.24	0.24	0.12	6095
Output Torque (in•lbs)	1560	1710	1770	1710	1350	1290	1170	1430	955	
Overhung Load (lbs)	725	721	719	725	736	741	743	739	743	
Input HP	1.29	1.11	0.92	0.75	0.63	0.55	0.45	0.37	0.27	6100
Output Torque (in•lbs)	2210	2210	2210	2210	2210	2210	2210	2210	2210	
Overhung Load (lbs)	1210	1210	1210	1210	1210	1210	1210	1210	1200	
Input HP	1.54	1.33	1.10	0.90	0.75	0.65	0.48	0.44	0.28	6105 610H
Output Torque (in•lbs)	2660	2660	2660	2660	2630	2620	2330	2660	2280	
Overhung Load (lbs)	1210	1210	1210	1210	1190	1140	1210	1070	1200	
Input HP	1.85	1.60	1.32	1.08	0.91	0.79	0.65	0.53	-	6110
Output Torque (in•lbs)	3190	3190	3190	3190	3190	3190	3190	3190	-	
Overhung Load (lbs)	1650	1620	1640	1710	1710	1710	1700	1710	-	
Input HP	2.16	1.87	1.54	1.26	1.06	0.917	0.761	0.621	-	6115
Output Torque (in•lbs)	3720	3720	3720	3720	3720	3720	3720	3720	-	
Overhung Load (lbs)	1610	1580	1590	1660	1660	1670	1660	1660	-	
Input HP	2.70	2.31	1.93	1.57	1.32	1.14	0.952	0.777	-	6120
Output Torque (in•lbs)	4640	4600	4640	4640	4640	4640	4640	4640	-	
Overhung Load (lbs)	2200	2200	2200	2200	2200	2200	2200	2200	-	
Input HP	3.25	2.79	2.32	1.88	1.58	1.37	1.03	0.932	-	6125 612H
Output Torque (in•lbs)	5570	5570	5570	5570	5570	5570	5040	5570	-	
Overhung Load (lbs)	2200	2200	2200	2200	2200	2200	2200	2150	-	
Input HP	4.01	3.46	2.87	2.34	2.21	1.92	1.60	1.26	-	6130
Output Torque (in•lbs)	6900	6900	6900	6900	7790	7790	7790	7500	-	
Overhung Load (lbs)	2580	2730	2890	3130	3260	3310	3310	3310	-	
Input HP	4.63	4.17	3.46	2.82	2.31	2.21	1.84	1.45	-	6135
Output Torque (in•lbs)	7960	8320	8320	8320	8120	8940	8940	8660	-	
Overhung Load (lbs)	2580	2710	2870	3110	3240	3310	3310	3310	-	
Input HP	6.31	5.44	4.51	3.66	3.09	2.67	2.21	1.81	-	6140
Output Torque (in•lbs)	10900	10900	10900	10900	10900	10900	10900	10900	-	
Overhung Load (lbs)	3590	3590	3590	3590	3590	3590	3590	3590	-	

Speed Reducers
Selection Tables

Frame Size Selection Tables 870 RPM

Single Reduction, Ratios 3-21 H, F, V Housing Styles



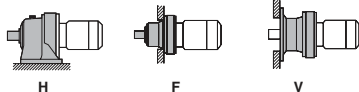
Dimensions:	Foot Mount (H)	Pages 4.2-4.19
	F-Flange (F)	4.36-4.46
	V-Flange (V)	4.62-4.80

Output RPM Ratio	290 3 ⁽¹⁾	174 5 ⁽¹⁾	145 6	109 8	79.1 11	66.9 13	58.0 15	51.2 17	41.4 21	FRAME SIZE
Input HP	14.6	14.6	15.0	14.2	14.8	13.6	11.7	10.4	8.20	6145 614H
Output Torque (in•lbs)	3017	5035	6180	7850	11100	12200	12100	12200	11900	
Overhung Load (lbs)	1906	2261	2400	2670	3000	3060	3200	3350	3590	
Input HP	21.9	21.9	27.2	26.4	20.5	17.3	15.0	13.3	10.8	6160
Output Torque (in•lbs)	4512	7521	11200	14500	15500	15500	15500	15500	15500	
Overhung Load (lbs)	2068	2452	2620	2930	3350	3550	3770	3900	4230	
Input HP	21.9	21.9	28.5	27.7	24.6	20.8	18.0	15.8	12.9	6165 616H
Output Torque (in•lbs)	4512	7521	11700	15200	18600	18600	18600	18600	18600	
Overhung Load (lbs)	2068	2452	2600	2890	3310	3480	3730	3860	4190	
Input HP	37.0	37.0	37.0	37.0	29.7	25.0	21.7	19.2	15.6	6170
Output Torque (in•lbs)	7645	12741	15300	20300	22400	22400	22400	22400	22400	
Overhung Load (lbs)	2335	2768	2950	3240	3750	3920	4170	4370	4760	
Input HP	39.8	39.8	39.9	40.4	36.9	31.1	27.0	23.9	19.3	6175
Output Torque (in•lbs)	8229	13706	16500	22200	27900	27900	27900	27900	27900	
Overhung Load (lbs)	2317	2746	2930	3200	3660	3840	4030	4280	4670	
Input HP	-	-	-	-	47.2	40.1	34.9	30.7	24.8	6180
Output Torque (in•lbs)	-	-	-	-	35800	35900	35900	35900	35800	
Overhung Load (lbs)	-	-	-	-	4960	5180	5510	5840	6330	
Input HP	-	-	-	-	52.3	48.6	36.5	34.6	30.6	6185
Output Torque (in•lbs)	-	-	-	-	39600	43300	37600	40500	44300	
Overhung Load (lbs)	-	-	-	-	4920	5090	5490	5780	6260	
Input HP	-	-	-	-	55.0	55.0	54.8	48.3	39.1	6190
Output Torque (in•lbs)	-	-	-	-	41600	49200	56400	56400	56400	
Overhung Load (lbs)	-	-	-	-	7050	7280	7630	8090	8820	
Input HP	-	-	-	-	64.6	64.6	60.8	60.3	48.7	6195
Output Torque (in•lbs)	-	-	-	-	48900	57700	62800	70400	70400	
Overhung Load (lbs)	-	-	-	-	6990	7190	7560	7960	8690	
Input HP	-	-	-	-	80.1	-	78.3	-	56.9	6205
Output Torque (in•lbs)	-	-	-	-	60600	-	80800	-	82000	
Overhung Load (lbs)	-	-	-	-	13400	-	14400	-	16200	
Input HP	-	-	-	-	101	-	101	-	76.6	6215
Output Torque (in•lbs)	-	-	-	-	76500	-	104000	-	110000	
Overhung Load (lbs)	-	-	-	-	13500	-	14400	-	16300	
Input HP	-	-	-	-	134	-	124	-	90.7	6225
Output Torque (in•lbs)	-	-	-	-	101000	-	128000	-	131000	
Overhung Load (lbs)	-	-	-	-	14200	-	15300	-	17200	
Input HP	-	-	-	-	152	-	152	-	116	6235
Output Torque (in•lbs)	-	-	-	-	115000	-	156000	-	168000	
Overhung Load (lbs)	-	-	-	-	17800	-	18900	-	21400	
Input HP	-	-	-	-	177	-	177	-	158	6245
Output Torque (in•lbs)	-	-	-	-	134000	-	182000	-	228000	
Overhung Load (lbs)	-	-	-	-	19800	-	21100	-	23600	
Input HP	-	-	-	-	203	-	203	-	191	6255
Output Torque (in•lbs)	-	-	-	-	153000	-	209000	-	274000	
Overhung Load (lbs)	-	-	-	-	24300	-	26000	-	28700	
Input HP	-	-	-	-	235	-	235	-	231	6265
Output Torque (in•lbs)	-	-	-	-	178000	-	241000	-	332000	
Overhung Load (lbs)	-	-	-	-	29800	-	31700	-	35500	
Input HP	-	-	-	-	-	-	-	-	-	6275
Output Torque (in•lbs)	-	-	-	-	-	-	-	-	-	
Overhung Load (lbs)	-	-	-	-	-	-	-	-	-	

Note: [1] Ratings listed are for the horizontal mounting position; please contact factory for vertical mounting position ratings.

870 RPM Frame Size Selection Tables

Dimensions:		Pages
Foot Mount (H)	4.2-4.19	
F-Flange (F)	4.36-4.46	
V-Flange (V)	4.62-4.80	



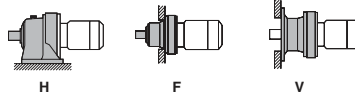
Single Reduction, Ratios 25-119 H, F, V Housing Styles

Output RPM Ratio	34.8 25	30.0 29	24.9 35	20.2 43	17.1 51	14.7 59	12.3 71	10.0 87	7.31 119	FRAME SIZE
Input HP	7.06	6.08	5.03	4.11	3.36	2.89	2.38	1.85	-	6145 614H
Output Torque (in•lbs)	12200	12200	12200	12200	11800	11700	11600	11000	-	
Overhung Load (lbs)	3590	3550	3590	3530	3570	3590	3590	3590	-	
Input HP	9.03	7.79	6.46	5.19	4.43	3.83	3.18	2.59	-	6160
Output Torque (in•lbs)	15500	15500	15500	15400	15500	15500	15500	15500	-	
Overhung Load (lbs)	4450	4670	4960	4960	4960	4960	4960	4960	-	
Input HP	10.8	9.32	7.72	6.28	5.3	4.58	3.81	3.03	-	6165 616H
Output Torque (in•lbs)	18600	18600	18600	18600	18600	18600	18600	18100	-	
Overhung Load (lbs)	4410	4610	4920	4960	4960	4960	4960	4890	-	
Input HP	13.0	11.2	9.30	7.57	6.39	5.52	4.59	3.74	-	6170
Output Torque (in•lbs)	22400	22400	22400	22400	22400	22400	22400	22400	-	
Overhung Load (lbs)	4960	5270	5600	5970	6260	6610	6640	6640	-	
Input HP	16.2	14.0	11.6	9.42	7.95	6.87	5.70	4.66	-	6175
Output Torque (in•lbs)	27900	27900	27900	27900	27900	27900	27900	27900	-	
Overhung Load (lbs)	4890	5160	5530	5910	6190	6550	6640	6640	-	
Input HP	20.8	18.0	14.9	12.1	10.2	8.83	7.34	6.01	-	6180
Output Torque (in•lbs)	35800	35800	35800	35900	35800	35800	35800	35900	-	
Overhung Load (lbs)	6640	6970	7450	8050	8360	8770	9350	9370	-	
Input HP	25.8	22.1	18.4	15.0	12.6	10.9	8.19	7.4	-	6185
Output Torque (in•lbs)	44300	44300	44300	44300	44300	44300	39900	44300	-	
Overhung Load (lbs)	6550	6880	7390	7960	8290	8690	9330	9370	-	
Input HP	32.9	28.3	23.5	19.1	16.1	14.0	11.6	9.44	-	6190
Output Torque (in•lbs)	56400	56400	56400	56400	56400	56400	56400	56400	-	
Overhung Load (lbs)	9260	9740	10300	11200	11700	12300	13100	13200	-	
Input HP	40.9	35.3	29.3	23.9	20.1	17.3	14.5	11.8	-	6195
Output Torque (in•lbs)	70400	70400	70400	70400	70400	70400	70400	70400	-	
Overhung Load (lbs)	9150	9630	10200	11100	11600	12200	12900	13100	-	
Input HP	-	40.9	-	27.8	-	20.3	-	13.0	-	6205
Output Torque (in•lbs)	-	81700	-	82300	-	82300	-	77500	-	
Overhung Load (lbs)	-	17700	-	18900	-	18900	-	18900	-	
Input HP	-	56.1	-	37.9	-	27.7	-	16.6	-	6215
Output Torque (in•lbs)	-	112000	-	112000	-	112000	-	99800	-	
Overhung Load (lbs)	-	17900	-	20300	-	22300	-	23400	-	
Input HP	-	66.7	-	47.9	-	34.6	-	22.3	-	6225
Output Torque (in•lbs)	-	133000	-	141000	-	141000	-	134000	-	
Overhung Load (lbs)	-	18800	-	21400	-	23400	-	26200	-	
Input HP	-	83.9	-	58.3	-	42.4	-	25.4	-	6235
Output Torque (in•lbs)	-	168000	-	173000	-	172000	-	152000	-	
Overhung Load (lbs)	-	23600	-	26500	-	28900	-	32800	-	
Input HP	-	114	-	77.2	-	56.2	-	33.6	-	6245
Output Torque (in•lbs)	-	228000	-	228000	-	228000	-	200000	-	
Overhung Load (lbs)	-	26000	-	29500	-	32400	-	36600	-	
Input HP	-	144	-	95.4	-	69.7	-	45.9	-	6255
Output Torque (in•lbs)	-	287000	-	282000	-	282000	-	274000	-	
Overhung Load (lbs)	-	32000	-	36200	-	39500	-	44800	-	
Input HP	-	204	-	138	-	100	-	65.1	-	6265
Output Torque (in•lbs)	-	407000	-	407000	-	407000	-	390000	-	
Overhung Load (lbs)	-	39000	-	44100	-	48300	-	54500	-	
Input HP	-	213	-	203	-	149	-	71.7	-	6275
Output Torque (in•lbs)	-	425000	-	598000	-	603000	-	429000	-	
Overhung Load (lbs)	-	45600	-	55800	-	55800	-	50900	-	

Speed Reducers
Selection Tables

Frame Size Selection Tables 580 RPM

Single Reduction, Ratios 3-21 H, F, V Housing Styles



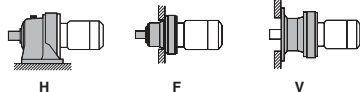
Dimensions:	Foot Mount (H)	Pages 4.2-4.19
	F-Flange (F)	4.36-4.46
	V-Flange (V)	4.62-4.80

Output RPM Ratio	193 3 ^[1]	116 5 ^[1]	96.7 6	72.5 8	52.7 11	44.6 13	38.7 15	34.1 17	27.6 21	FRAME SIZE
Input HP	-	-	0.27	0.26	0.19	0.16	0.14	0.12	0.098	6060
Output Torque (in•lbs)	-	-	167	213	213	213	213	213	213	
Overhung Load (lbs)	-	-	229	227	265	265	265	265	265	
Input HP	-	-	0.36	0.29	0.23	0.20	0.17	0.15	0.12	6065
Output Torque (in•lbs)	-	-	221	240	266	266	266	266	266	
Overhung Load (lbs)	-	-	215	219	256	265	265	265	265	
Input HP	-	-	0.42	0.39	0.35	0.30	0.26	0.23	0.18	6070
Output Torque (in•lbs)	-	-	263	319	398	398	398	398	398	
Overhung Load (lbs)	-	-	397	397	397	397	397	397	397	
Input HP	-	-	0.42	0.39	0.39	0.37	0.34	0.30	0.25	6075
Output Torque (in•lbs)	-	-	263	319	444	491	531	531	531	
Overhung Load (lbs)	-	-	397	397	397	397	397	397	397	
Input HP	-	-	0.80	0.80	0.62	0.53	0.46	0.40	0.32	6080
Output Torque (in•lbs)	-	-	492	655	707	707	707	707	683	
Overhung Load (lbs)	-	-	571	575	575	575	575	575	575	
Input HP	-	-	1.04	1.04	0.78	0.66	0.57	0.51	0.32	6085
Output Torque (in•lbs)	-	-	646	861	885	885	885	885	683	
Overhung Load (lbs)	-	-	564	575	575	575	575	575	575	
Input HP	-	-	1.54	1.54	1.17	0.99	0.86	0.76	0.61	6090
Output Torque (in•lbs)	-	-	955	1270	1330	1330	1330	1330	1330	
Overhung Load (lbs)	-	-	750	750	750	750	750	750	750	
Input HP	-	-	1.97	1.80	1.41	1.32	1.14	1.01	0.82	6095
Output Torque (in•lbs)	-	-	1220	1480	1610	1770	1770	1770	1770	
Overhung Load (lbs)	-	-	750	750	750	750	750	750	750	
Input HP	2.44	2.44	2.44	2.50	1.95	1.65	1.44	1.26	1.02	6100
Output Torque (in•lbs)	752	1256	1510	2070	2210	2210	2210	2210	2210	
Overhung Load (lbs)	963	1141	1210	1210	1210	1210	1210	1210	1210	
Input HP	2.44	2.44	2.44	2.50	2.40	1.99	1.72	1.52	1.23	6105 610H
Output Torque (in•lbs)	752	1256	1510	2070	2730	2660	2660	2660	2660	
Overhung Load (lbs)	963	1141	1210	1210	1210	1210	1210	1210	1210	
Input HP	-	-	2.77	3.87	2.81	2.38	2.05	1.81	1.48	6110
Output Torque (in•lbs)	-	-	1710	3190	3190	3190	3190	3190	3190	
Overhung Load (lbs)	-	-	1400	1520	1710	1710	1710	1710	1710	
Input HP	-	-	2.77	4.36	3.28	2.78	2.40	2.12	1.72	6115
Output Torque (in•lbs)	-	-	1710	3590	3720	3720	3720	3720	3720	
Overhung Load (lbs)	-	-	1400	1510	1710	1710	1710	1690	1680	
Input HP	4.39	4.39	5.23	5.37	4.09	3.46	3.01	2.63	2.13	6120
Output Torque (in•lbs)	1363	2265	3240	4440	4640	4640	4640	4600	4620	
Overhung Load (lbs)	1226	1453	1550	1710	1960	2040	2200	2200	2200	
Input HP	4.39	4.39	5.23	5.37	4.66	4.16	3.61	3.18	2.58	6125 612H
Output Torque (in•lbs)	1363	2265	3240	4440	5280	5570	5570	5570	5570	
Overhung Load (lbs)	1226	1453	1550	1710	1950	2020	2180	2200	2200	
Input HP	7.93	7.93	7.93	7.97	6.08	5.15	4.46	3.93	3.18	6130
Output Torque (in•lbs)	2451	4088	4910	6580	6900	6900	6900	6900	6900	
Overhung Load (lbs)	1412	1675	1780	1980	2290	2400	2470	2650	2840	
Input HP	8.68	8.68	8.68	8.20	7.33	6.20	5.38	4.74	3.84	6135
Output Torque (in•lbs)	2690	4477	5370	6760	8320	8320	8320	8320	8320	
Overhung Load (lbs)	1403	1664	1770	1970	2270	2380	2450	2620	2820	
Input HP	10.0	10.0	10.3	10.5	9.56	8.08	7.01	6.19	5.01	6140
Output Torque (in•lbs)	3097	5158	6350	8640	10900	10900	10900	10900	10900	
Overhung Load (lbs)	2155	2557	2710	3020	3370	3480	3590	3590	3590	

Note: [1] Ratings listed are for the horizontal mounting position; please contact factory for vertical mounting position ratings.

580 RPM Frame Size Selection Tables

Dimensions:		Pages
Foot Mount (H)	4.2-4.19	
F-Flange (F)	4.36-4.46	
V-Flange (V)	4.62-4.80	



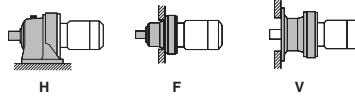
Single Reduction, Ratios 25-119 H, F, V Housing Styles

Output RPM Ratio	23.2 25	20.0 29	16.6 35	13.5 43	11.4 51	9.83 59	8.17 71	6.67 87	4.87 119	FRAME SIZE
Input HP	0.082	0.071	0.059	0.048	-	-	-	-	-	6060
Output Torque (in•lbs)	213	213	213	213	-	-	-	-	-	
Overhung Load (lbs)	265	265	265	265	-	-	-	-	-	
Input HP	0.10	0.089	0.074	0.060	-	-	-	-	-	6065
Output Torque (in•lbs)	266	266	266	266	-	-	-	-	-	
Overhung Load (lbs)	265	265	265	265	-	-	-	-	-	
Input HP	0.15	0.13	0.11	0.090	0.075	0.066	-	-	-	6070
Output Torque (in•lbs)	398	398	398	398	398	398	-	-	-	
Overhung Load (lbs)	397	397	397	397	392	397	-	-	-	
Input HP	0.21	0.18	0.15	0.12	0.095	0.083	-	-	-	6075
Output Torque (in•lbs)	531	531	531	531	503	508	-	-	-	
Overhung Load (lbs)	397	397	397	373	355	355	-	-	-	
Input HP	0.28	0.24	0.20	0.16	0.13	0.12	0.097	0.079	-	6080
Output Torque (in•lbs)	707	707	707	707	707	707	707	707	-	
Overhung Load (lbs)	575	562	575	571	558	564	553	551	-	
Input HP	0.34	0.30	0.24	0.20	0.17	0.15	0.12	0.098	-	6085
Output Torque (in•lbs)	885	885	860	885	885	885	877	885	-	
Overhung Load (lbs)	531	516	558	527	514	518	509	507	-	
Input HP	0.52	0.44	0.37	0.30	0.25	0.21	0.16	0.15	0.078	6090
Output Torque (in•lbs)	1330	1330	1330	1330	1320	1290	1170	1330	955	
Overhung Load (lbs)	736	739	741	743	736	741	743	743	743	
Input HP	0.67	0.59	0.49	0.40	0.26	0.21	0.16	0.18	0.078	6095
Output Torque (in•lbs)	1730	1770	1770	1770	1350	1290	1170	1570	955	
Overhung Load (lbs)	717	719	719	723	736	741	743	734	743	
Input HP	0.86	0.74	0.61	0.50	0.42	0.36	0.30	0.25	0.18	6100
Output Torque (in•lbs)	2210	2210	2210	2210	2210	2210	2210	2210	2210	
Overhung Load (lbs)	1210	1210	1210	1210	1210	1210	1210	1210	1200	
Input HP	1.03	0.89	0.74	0.60	0.50	0.43	0.32	0.30	0.19	6105 610H
Output Torque (in•lbs)	2660	2660	2660	2660	2630	2620	2330	2660	2280	
Overhung Load (lbs)	1210	1210	1210	1210	1190	1140	1210	1070	1200	
Input HP	1.24	1.07	0.88	0.72	0.61	0.52	0.44	0.36	-	6110
Output Torque (in•lbs)	3190	3190	3190	3190	3190	3190	3190	3190	-	
Overhung Load (lbs)	1650	1620	1640	1710	1710	1710	1700	1710	-	
Input HP	1.44	1.24	1.03	0.84	0.71	0.61	0.51	0.42	-	6115
Output Torque (in•lbs)	3720	3720	3720	3720	3720	3720	3720	3720	-	
Overhung Load (lbs)	1610	1580	1590	1660	1660	1670	1660	1660	-	
Input HP	1.80	1.54	1.29	1.05	0.88	0.76	0.64	0.52	-	6120
Output Torque (in•lbs)	4640	4600	4640	4640	4640	4640	4640	4640	-	
Overhung Load (lbs)	2200	2200	2200	2200	2200	2200	2200	2200	-	
Input HP	2.16	1.87	1.54	1.26	1.06	0.92	0.72	0.62	-	6125 612H
Output Torque (in•lbs)	5570	5570	5570	5570	5570	5570	5230	5570	-	
Overhung Load (lbs)	2200	2200	2200	2200	2200	2200	2200	2150	-	
Input HP	2.67	2.31	1.91	1.56	1.56	1.33	1.09	0.84	-	6130
Output Torque (in•lbs)	6900	6900	6900	6900	8210	8070	7980	7500	-	
Overhung Load (lbs)	3000	3150	3310	3310	3310	3310	3310	3310	-	
Input HP	3.09	2.78	2.31	1.88	1.62	1.53	1.26	0.97	-	6135
Output Torque (in•lbs)	7960	8320	8320	8320	8560	9290	9200	8660	-	
Overhung Load (lbs)	2980	3130	3310	3310	3310	3310	3310	3310	-	
Input HP	4.20	3.62	3.01	2.44	2.07	1.79	1.48	1.21	-	6140
Output Torque (in•lbs)	10900	10900	10900	10900	10900	10900	10900	10900	-	
Overhung Load (lbs)	3590	3590	3590	3590	3590	3590	3590	3590	-	

Speed Reducers
Selection Tables

Frame Size Selection Tables 580 RPM

Single Reduction, Ratios 3-21 H, F, V Housing Styles



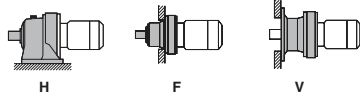
Dimensions:	Foot Mount (H)	Pages 4.2-4.19
	F-Flange (F)	4.36-4.46
	V-Flange (V)	4.62-4.80

Output RPM Ratio	193 3 ⁽¹⁾	116 5 ⁽¹⁾	96.7 6	72.5 8	52.7 11	44.6 13	38.7 15	34.1 17	27.6 21	FRAME SIZE
Input HP	10.0	10.0	10.3	10.5	10.1	9.05	7.77	6.91	5.46	6145 614H
Output Torque (in•lbs)	3097	5158	6350	8640	11400	12200	12100	12200	11900	
Overhung Load (lbs)	2155	2557	2710	3020	3370	3460	3590	3590	3590	
Input HP	16.5	16.5	18.9	18.8	13.7	11.6	10.0	8.86	7.17	6160
Output Torque (in•lbs)	5114	8521	11700	15500	15500	15500	15500	15500	15500	
Overhung Load (lbs)	2405	2852	3040	3370	3880	4100	4370	4520	4870	
Input HP	16.5	16.5	18.9	20.0	16.4	13.8	12.0	10.6	8.58	6165 616H
Output Torque (in•lbs)	5114	8521	11700	16600	18600	18600	18600	18600	18600	
Overhung Load (lbs)	2405	2852	3040	3350	3810	4030	4320	4480	4830	
Input HP	26.6	26.6	26.6	27.1	19.7	16.6	14.5	12.8	10.3	6170
Output Torque (in•lbs)	8229	13706	16500	22400	22400	22400	22400	22400	22400	
Overhung Load (lbs)	2690	3191	3400	3700	4340	4560	4810	5030	5490	
Input HP	26.6	26.6	26.6	27.9	24.6	20.8	18.0	15.8	12.9	6175
Output Torque (in•lbs)	8229	13706	16500	23000	27900	27900	27900	27900	27900	
Overhung Load (lbs)	2690	3191	3400	3700	4250	4480	4720	4940	5420	
Input HP	-	-	-	-	31.7	26.8	23.2	20.5	16.5	6180
Output Torque (in•lbs)	-	-	-	-	35900	35900	35900	35900	35800	
Overhung Load (lbs)	-	-	-	-	5750	6000	6350	6750	7320	
Input HP	-	-	-	-	37.4	32.3	26.7	25.2	20.4	6185
Output Torque (in•lbs)	-	-	-	-	42500	43300	41300	44300	44300	
Overhung Load (lbs)	-	-	-	-	5670	5930	6280	6660	7230	
Input HP	-	-	-	-	49.8	42.1	36.5	32.2	26	6190
Output Torque (in•lbs)	-	-	-	-	56400	56400	56400	56400	56400	
Overhung Load (lbs)	-	-	-	-	7980	8330	8800	9330	10100	
Input HP	-	-	-	-	59.1	48.5	44.6	40.1	32.5	6195
Output Torque (in•lbs)	-	-	-	-	67000	65000	69000	70400	70400	
Overhung Load (lbs)	-	-	-	-	7890	8250	8660	9220	10000	
Input HP	-	-	-	-	62.8	-	53.0	-	37.9	6205
Output Torque (in•lbs)	-	-	-	-	71300	-	82000	-	82000	
Overhung Load (lbs)	-	-	-	-	15100	-	16300	-	18300	
Input HP	-	-	-	-	85.9	-	69.7	-	51.1	6215
Output Torque (in•lbs)	-	-	-	-	97200	-	108000	-	110000	
Overhung Load (lbs)	-	-	-	-	15100	-	16300	-	18500	
Input HP	-	-	-	-	100	-	82.8	-	60.5	6225
Output Torque (in•lbs)	-	-	-	-	114000	-	128000	-	131000	
Overhung Load (lbs)	-	-	-	-	16000	-	17300	-	19500	
Input HP	-	-	-	-	134	-	112	-	77.2	6235
Output Torque (in•lbs)	-	-	-	-	152000	-	174000	-	168000	
Overhung Load (lbs)	-	-	-	-	20000	-	21400	-	24300	
Input HP	-	-	-	-	157	-	150	-	105	6245
Output Torque (in•lbs)	-	-	-	-	179000	-	232000	-	228000	
Overhung Load (lbs)	-	-	-	-	22300	-	23800	-	26700	
Input HP	-	-	-	-	203	-	179	-	127	6255
Output Torque (in•lbs)	-	-	-	-	229000	-	276000	-	274000	
Overhung Load (lbs)	-	-	-	-	27100	-	29300	-	32800	
Input HP	-	-	-	-	235	-	235	-	188	6265
Output Torque (in•lbs)	-	-	-	-	266000	-	363000	-	407000	
Overhung Load (lbs)	-	-	-	-	33300	-	35500	-	39700	
Input HP	-	-	-	-	-	-	-	-	-	
Output Torque (in•lbs)	-	-	-	-	-	-	-	-	-	
Overhung Load (lbs)	-	-	-	-	-	-	-	-	-	

Note: [1] Ratings listed are for the horizontal mounting position; please contact factory for vertical mounting position ratings.

580 RPM Frame Size Selection Tables

Dimensions:		Pages
Foot Mount (H)	4.2-4.19	
F-Flange (F)	4.36-4.46	
V-Flange (V)	4.62-4.80	



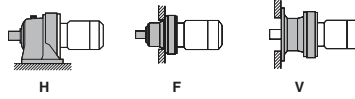
Single Reduction, Ratios 25-119 H, F, V Housing Styles

Output RPM Ratio	23.2 25	20.0 29	16.6 35	13.5 43	11.4 51	9.83 59	8.17 71	6.67 87	4.87 119	FRAME SIZE
Input HP	4.70	4.05	3.36	2.74	2.31	1.99	1.60	1.23	-	6145 614H
Output Torque (in•lbs)	12200	12200	12200	12200	12200	12200	11700	11000	-	
Overhung Load (lbs)	3590	3550	3590	3530	3530	3590	3590	3590	-	
Input HP	6.03	5.19	4.31	3.46	2.95	2.55	2.12	1.73	-	6160
Output Torque (in•lbs)	15500	15500	15500	15400	15500	15500	15500	15500	-	
Overhung Load (lbs)	4960	4960	4960	4960	4960	4960	4960	4960	-	
Input HP	7.21	6.21	5.15	4.19	3.53	3.06	2.54	2.03	-	6165 616H
Output Torque (in•lbs)	18600	18600	18600	18600	18600	18600	18600	18100	-	
Overhung Load (lbs)	4960	4960	4960	4960	4960	4960	4960	4890	-	
Input HP	8.68	7.49	6.20	5.05	4.26	3.68	3.06	2.50	-	6170
Output Torque (in•lbs)	22400	22400	22400	22400	22400	22400	22400	22400	-	
Overhung Load (lbs)	5710	6040	6460	6640	6640	6640	6640	6640	-	
Input HP	10.8	9.32	7.72	6.28	5.30	4.58	3.81	3.10	-	6175
Output Torque (in•lbs)	27900	27900	27900	27900	27900	27900	27900	27900	-	
Overhung Load (lbs)	5640	5970	6390	6640	6640	6640	6640	6640	-	
Input HP	14.0	12.0	9.93	8.09	6.82	5.89	4.90	4.00	-	6180
Output Torque (in•lbs)	35800	35800	35800	35900	35800	35800	35800	35900	-	
Overhung Load (lbs)	7650	8020	8580	9260	9370	9370	9370	9370	-	
Input HP	17.2	14.8	12.3	9.97	8.42	7.28	5.45	4.93	-	6185
Output Torque (in•lbs)	44300	44300	44300	44300	44300	44300	39900	44300	-	
Overhung Load (lbs)	7560	7940	8510	9170	9370	9350	9370	9370	-	
Input HP	21.9	18.9	15.7	12.7	10.7	9.28	7.70	6.30	-	6190
Output Torque (in•lbs)	56400	56400	56400	56400	56400	56400	56400	56400	-	
Overhung Load (lbs)	10600	11200	11900	12900	13200	13200	13100	13200	-	
Input HP	27.4	23.5	19.5	15.8	13.4	11.6	9.62	7.85	-	6195
Output Torque (in•lbs)	70400	70400	70400	70400	70400	70400	70400	70400	-	
Overhung Load (lbs)	10500	11100	11800	12700	13100	13100	13000	13100	-	
Input HP	-	27.2	-	18.5	-	13.6	-	8.63	-	6205
Output Torque (in•lbs)	-	81700	-	82300	-	82300	-	77500	-	
Overhung Load (lbs)	-	18900	-	18900	-	18900	-	18900	-	
Input HP	-	37.4	-	25.2	-	18.4	-	11.1	-	6215
Output Torque (in•lbs)	-	112000	-	112000	-	112000	-	99800	-	
Overhung Load (lbs)	-	20300	-	22900	-	23400	-	23400	-	
Input HP	-	44.6	-	31.9	-	23.1	-	14.9	-	6225
Output Torque (in•lbs)	-	133000	-	141000	-	141000	-	134000	-	
Overhung Load (lbs)	-	21400	-	24300	-	26500	-	30000	-	
Input HP	-	56.0	-	40.9	-	29.8	-	16.9	-	6235
Output Torque (in•lbs)	-	168000	-	181000	-	181000	-	152000	-	
Overhung Load (lbs)	-	26700	-	30000	-	32800	-	37300	-	
Input HP	-	76.4	-	51.5	-	37.6	-	22.3	-	6245
Output Torque (in•lbs)	-	228000	-	228000	-	228000	-	200000	-	
Overhung Load (lbs)	-	29500	-	33500	-	36600	-	41700	-	
Input HP	-	96.1	-	68.9	-	50.2	-	30.6	-	6255
Output Torque (in•lbs)	-	287000	-	306000	-	306000	-	274000	-	
Overhung Load (lbs)	-	36200	-	41000	-	45000	-	50700	-	
Input HP	-	136	-	91.8	-	66.8	-	43.4	-	6265
Output Torque (in•lbs)	-	407000	-	407000	-	407000	-	390000	-	
Overhung Load (lbs)	-	44300	-	49800	-	54700	-	61500	-	
Input HP	-	201	-	136	-	99.2	-	67.2	-	6275
Output Torque (in•lbs)	-	603000	-	603000	-	603000	-	603000	-	
Overhung Load (lbs)	-	51100	-	55800	-	55800	-	55100	-	

Speed Reducers
Selection Tables

Frame Size Selection Tables 50 RPM

Single Reduction, Ratios 3-21 H, F, V Housing Styles



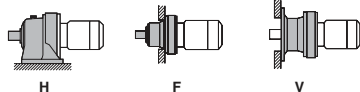
Dimensions:	Foot Mount (H)	Pages 4.2-4.19
	F-Flange (F)	4.36-4.46
	V-Flange (V)	4.62-4.80

Output RPM Ratio	16.7 3 ^[1]	10.0 5 ^[1]	8.33 6	6.25 8	4.55 11	3.85 13	3.33 15	2.94 17	2.38 21	FRAME SIZE
Input HP	-	-	-	-	-	-	-	-	-	6060
Output Torque (in•lbs)	-	-	213	213	213	213	213	213	213	
Overhung Load (lbs)	-	-	218	227	265	265	265	265	265	
Input HP	-	-	-	-	-	-	-	-	-	6065
Output Torque (in•lbs)	-	-	221	240	266	266	266	266	266	
Overhung Load (lbs)	-	-	215	219	256	265	265	265	265	
Input HP	-	-	-	-	-	-	-	-	-	6070
Output Torque (in•lbs)	-	-	263	386	398	398	398	398	398	
Overhung Load (lbs)	-	-	397	397	397	397	397	397	397	
Input HP	-	-	-	-	-	-	-	-	-	6075
Output Torque (in•lbs)	-	-	263	386	450	531	531	531	531	
Overhung Load (lbs)	-	-	397	397	397	397	397	397	397	
Input HP	-	-	-	-	-	-	-	-	-	6080
Output Torque (in•lbs)	-	-	694	707	707	707	707	707	683	
Overhung Load (lbs)	-	-	575	575	575	575	575	575	575	
Input HP	-	-	-	-	-	-	-	-	-	6085
Output Torque (in•lbs)	-	-	694	877	885	885	885	885	683	
Overhung Load (lbs)	-	-	575	575	575	575	575	575	575	
Input HP	-	-	-	-	-	-	-	-	-	6090
Output Torque (in•lbs)	-	-	1260	1330	1330	1330	1330	1330	1330	
Overhung Load (lbs)	-	-	750	750	750	750	750	750	750	
Input HP	-	-	-	-	-	-	-	-	-	6095
Output Torque (in•lbs)	-	-	1500	1480	1770	1770	1770	1770	1770	
Overhung Load (lbs)	-	-	750	750	750	750	750	750	750	
Input HP	-	-	-	-	-	-	-	-	-	6100
Output Torque (in•lbs)	761	1265	1510	2210	2210	2210	2210	2210	2210	
Overhung Load (lbs)	963	1141	1210	1210	1210	1210	1210	1210	1210	
Input HP	-	-	-	-	-	-	-	-	-	6105 610H
Output Torque (in•lbs)	761	1265	1510	2440	2730	2660	2660	2660	2660	
Overhung Load (lbs)	963	1141	1210	1210	1210	1210	1210	1210	1210	
Input HP	-	-	-	-	-	-	-	-	-	6110
Output Torque (in•lbs)	-	-	1710	3190	3190	3190	3190	3190	3190	
Overhung Load (lbs)	-	-	1710	1710	1710	1710	1710	1710	1710	
Input HP	-	-	-	-	-	-	-	-	-	6115
Output Torque (in•lbs)	-	-	1710	3590	3720	3720	3720	3720	3720	
Overhung Load (lbs)	-	-	1710	1710	1710	1710	1710	1690	1680	
Input HP	-	-	-	-	-	-	-	-	-	6120
Output Torque (in•lbs)	1619	2699	3240	4640	4640	4640	4640	4600	4620	
Overhung Load (lbs)	1749	2072	2200	2200	2200	2200	2200	2200	2200	
Input HP	-	-	-	-	-	-	-	-	-	6125 612H
Output Torque (in•lbs)	1619	2699	3240	5080	5500	5570	5570	5570	5570	
Overhung Load (lbs)	1749	2072	2200	2200	2200	2200	2200	2200	2200	
Input HP	-	-	-	-	-	-	-	-	-	6130
Output Torque (in•lbs)	2460	4097	4910	6580	6900	6900	6900	6900	6900	
Overhung Load (lbs)	2620	3105	3310	3310	3310	3310	3310	3310	3310	
Input HP	-	-	-	-	-	-	-	-	-	6135
Output Torque (in•lbs)	2690	4477	5370	6760	8320	8320	8320	8320	8320	
Overhung Load (lbs)	2620	3105	3310	3310	3310	3310	3310	3310	3310	
Input HP	-	-	-	-	-	-	-	-	-	6140
Output Torque (in•lbs)	3176	5291	6350	10200	10900	10900	10900	10900	10900	
Overhung Load (lbs)	2852	3381	3590	3590	3590	3590	3590	3590	3590	

Note: [1] Ratings listed are for the horizontal mounting position; please contact factory for vertical mounting position ratings.

50 RPM Frame Size Selection Tables

Dimensions: Pages
 Foot Mount (H) 4.2-4.19
 F-Flange (F) 4.36-4.46
 V-Flange (V) 4.62-4.80



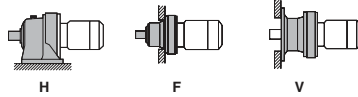
Single Reduction, Ratios 25-119 H, F, V Housing Styles

Output RPM Ratio	2.00 25	1.72 29	1.43 35	1.16 43	0.980 51	0.847 59	0.704 71	0.575 87	0.420 119	FRAME SIZE
Input HP	-	-	-	-	-	-	-	-	-	
Output Torque (in•lbs)	213	213	213	213	-	-	-	-	-	6060
Overhung Load (lbs)	265	265	265	265	-	-	-	-	-	
Input HP	-	-	-	-	-	-	-	-	-	
Output Torque (in•lbs)	266	266	266	266	-	-	-	-	-	6065
Overhung Load (lbs)	265	265	265	265	-	-	-	-	-	
Input HP	-	-	-	-	-	-	-	-	-	
Output Torque (in•lbs)	398	398	398	398	398	398	-	-	-	6070
Overhung Load (lbs)	397	397	397	397	392	397	-	-	-	
Input HP	-	-	-	-	-	-	-	-	-	
Output Torque (in•lbs)	531	531	531	531	503	508	-	-	-	6075
Overhung Load (lbs)	397	397	397	373	355	355	-	-	-	
Input HP	-	-	-	-	-	-	-	-	-	
Output Torque (in•lbs)	707	707	707	707	707	707	707	707	-	6080
Overhung Load (lbs)	575	562	575	571	558	564	553	551	-	
Input HP	-	-	-	-	-	-	-	-	-	
Output Torque (in•lbs)	885	885	885	885	885	885	885	885	-	6085
Overhung Load (lbs)	531	516	545	527	514	518	507	507	-	
Input HP	-	-	-	-	-	-	-	-	-	
Output Torque (in•lbs)	1330	1330	1330	1330	1320	1290	1170	1330	955	6090
Overhung Load (lbs)	736	739	741	743	736	741	743	743	743	
Input HP	-	-	-	-	-	-	-	-	-	
Output Torque (in•lbs)	1770	1770	1770	1770	1350	1290	1170	1730	955	6095
Overhung Load (lbs)	714	719	719	723	736	741	743	725	743	
Input HP	-	-	-	-	-	-	-	-	-	
Output Torque (in•lbs)	2210	2210	2210	2210	2210	2210	2210	2210	2210	6100
Overhung Load (lbs)	1210	1210	1210	1210	1210	1210	1210	1210	1200	
Input HP	-	-	-	-	-	-	-	-	-	
Output Torque (in•lbs)	2660	2660	2660	2660	2630	2620	2330	2660	2280	6105
Overhung Load (lbs)	1210	1210	1210	1210	1190	1140	1210	1070	1200	610H
Input HP	-	-	-	-	-	-	-	-	-	
Output Torque (in•lbs)	3190	3190	3190	3190	3190	3190	3190	3190	-	6110
Overhung Load (lbs)	1650	1620	1640	1710	1710	1710	1700	1710	-	
Input HP	-	-	-	-	-	-	-	-	-	
Output Torque (in•lbs)	3720	3720	3720	3720	3720	3720	3720	3720	-	6115
Overhung Load (lbs)	1610	1580	1590	1660	1660	1670	1660	1660	-	
Input HP	-	-	-	-	-	-	-	-	-	
Output Torque (in•lbs)	4640	4600	4640	4640	4640	4640	4640	4640	-	6120
Overhung Load (lbs)	2200	2200	2200	2200	2200	2200	2200	2200	-	
Input HP	-	-	-	-	-	-	-	-	-	
Output Torque (in•lbs)	5570	5570	5570	5570	5570	5570	5230	5570	-	6125
Overhung Load (lbs)	2200	2200	2200	2200	2200	2200	2200	2150	-	612H
Input HP	-	-	-	-	-	-	-	-	-	
Output Torque (in•lbs)	6900	6900	6900	6900	8210	8070	7980	7500	-	6130
Overhung Load (lbs)	3310	3310	3310	3310	3310	3310	3310	3310	-	
Input HP	-	-	-	-	-	-	-	-	-	
Output Torque (in•lbs)	7960	8320	8320	8320	8560	9290	9200	8660	-	6135
Overhung Load (lbs)	3310	3310	3310	3310	3310	3310	3310	3310	-	
Input HP	-	-	-	-	-	-	-	-	-	
Output Torque (in•lbs)	10900	10900	10900	10900	10900	10900	10900	10900	-	6140
Overhung Load (lbs)	3590	3590	3590	3590	3590	3590	3590	3590	-	

Speed Reducers
Selection Tables

Frame Size Selection Tables 50 RPM

Single Reduction, Ratios 3-21 H, F, V Housing Styles



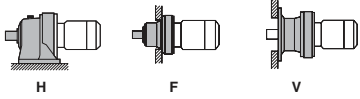
Dimensions:	Foot Mount (H)	Pages 4.2-4.19
	F-Flange (F)	4.36-4.46
	V-Flange (V)	4.62-4.80

Output RPM Ratio	16.7 3 ⁽¹⁾	10.0 5 ⁽¹⁾	8.33 6	6.25 8	4.55 11	3.85 13	3.33 15	2.94 17	2.38 21	FRAME SIZE
Input HP	-	-	-	-	-	-	-	-	-	6145 614H
Output Torque (in•lbs)	3176	5291	6350	10200	11400	12200	12100	12200	11900	
Overhung Load (lbs)	2852	3381	3590	3590	3590	3570	3590	3590	3590	
Input HP	-	-	-	-	-	-	-	-	-	6160
Output Torque (in•lbs)	5840	6955	11700	15500	15500	15500	15500	15500	15500	
Overhung Load (lbs)	3938	4670	4960	4960	4960	4960	4960	4960	4960	
Input HP	-	-	-	-	-	-	-	-	-	6165 616H
Output Torque (in•lbs)	5840	6955	11700	16600	18600	18600	18600	18600	18600	
Overhung Load (lbs)	3938	4670	4960	4960	4960	4960	4960	4960	4960	
Input HP	-	-	-	-	-	-	-	-	-	6170
Output Torque (in•lbs)	8229	9910	16500	22400	22400	22400	22400	22400	22400	
Overhung Load (lbs)	5256	6233	6640	6640	6640	6640	6640	6640	6640	
Input HP	-	-	-	-	-	-	-	-	-	6175
Output Torque (in•lbs)	8229	9910	16500	23000	27900	27900	27900	27900	27900	
Overhung Load (lbs)	5256	6233	6640	6640	6640	6640	6640	6640	6640	
Input HP	-	-	-	-	-	-	-	-	-	6180
Output Torque (in•lbs)	-	-	-	-	35900	35900	35900	35900	35800	
Overhung Load (lbs)	-	-	-	-	9370	9370	9370	9370	9370	
Input HP	-	-	-	-	-	-	-	-	-	6185
Output Torque (in•lbs)	-	-	-	-	42500	43300	43600	44300	44300	
Overhung Load (lbs)	-	-	-	-	9370	9370	9370	9370	9370	
Input HP	-	-	-	-	-	-	-	-	-	6190
Output Torque (in•lbs)	-	-	-	-	56400	56400	56400	56400	56400	
Overhung Load (lbs)	-	-	-	-	13200	13200	13200	13200	13200	
Input HP	-	-	-	-	-	-	-	-	-	6195
Output Torque (in•lbs)	-	-	-	-	67100	67500	70000	70400	70400	
Overhung Load (lbs)	-	-	-	-	13200	13100	13100	13200	13200	
Input HP	-	-	-	-	-	-	-	-	-	6205
Output Torque (in•lbs)	-	-	-	-	76300	-	82000	-	82000	
Overhung Load (lbs)	-	-	-	-	18900	-	18900	-	18900	
Input HP	-	-	-	-	-	-	-	-	-	6215
Output Torque (in•lbs)	-	-	-	-	101000	-	108000	-	110000	
Overhung Load (lbs)	-	-	-	-	23400	-	23400	-	23400	
Input HP	-	-	-	-	-	-	-	-	-	6225
Output Torque (in•lbs)	-	-	-	-	120000	-	128000	-	131000	
Overhung Load (lbs)	-	-	-	-	32600	-	32600	-	32600	
Input HP	-	-	-	-	-	-	-	-	-	6235
Output Torque (in•lbs)	-	-	-	-	166000	-	174000	-	168000	
Overhung Load (lbs)	-	-	-	-	40100	-	40100	-	40100	
Input HP	-	-	-	-	-	-	-	-	-	6245
Output Torque (in•lbs)	-	-	-	-	181000	-	232000	-	228000	
Overhung Load (lbs)	-	-	-	-	46700	-	46700	-	46700	
Input HP	-	-	-	-	-	-	-	-	-	6255
Output Torque (in•lbs)	-	-	-	-	243000	-	276000	-	274000	
Overhung Load (lbs)	-	-	-	-	57800	-	58000	-	58000	
Input HP	-	-	-	-	-	-	-	-	-	6265
Output Torque (in•lbs)	-	-	-	-	277000	-	386000	-	407000	
Overhung Load (lbs)	-	-	-	-	61900	-	61900	-	61900	
Input HP	-	-	-	-	-	-	-	-	-	6275
Output Torque (in•lbs)	-	-	-	-	-	-	-	-	-	
Overhung Load (lbs)	-	-	-	-	-	-	-	-	-	

Note: [1] Ratings listed are for the horizontal mounting position; please contact factory for vertical mounting position ratings.

50 RPM Frame Size Selection Tables

Dimensions:		Pages
Foot Mount (H)	4.2-4.19	
F-Flange (F)	4.36-4.46	
V-Flange (V)	4.62-4.80	



Single Reduction, Ratios 25-119 H, F, V Housing Styles

Output RPM Ratio	2.00 25	1.72 29	1.43 35	1.16 43	0.980 51	0.847 59	0.704 71	0.575 87	0.420 119	FRAME SIZE
Input HP	-	-	-	-	-	-	-	-	-	
Output Torque (in•lbs)	12200	12200	12200	12200	12200	12200	11700	11000	-	6145
Overhung Load (lbs)	3590	3550	3590	3530	3530	3590	3590	3590	-	614H
Input HP	-	-	-	-	-	-	-	-	-	
Output Torque (in•lbs)	15500	15500	15500	15400	15500	15500	15500	15500	-	6160
Overhung Load (lbs)	4960	4960	4960	4960	4960	4960	4960	4960	-	
Input HP	-	-	-	-	-	-	-	-	-	
Output Torque (in•lbs)	18600	18600	18600	18600	18600	18600	18600	18100	-	6165
Overhung Load (lbs)	4960	4960	4960	4960	4960	4960	4960	4890	-	616H
Input HP	-	-	-	-	-	-	-	-	-	
Output Torque (in•lbs)	22400	22400	22400	22400	22400	22400	22400	22400	-	6170
Overhung Load (lbs)	6640	6640	6640	6640	6640	6640	6640	6640	-	
Input HP	-	-	-	-	-	-	-	-	-	
Output Torque (in•lbs)	27900	27900	27900	27900	27900	27900	27900	27900	-	6175
Overhung Load (lbs)	6640	6640	6640	6640	6640	6640	6640	6640	-	
Input HP	-	-	-	-	-	-	-	-	-	
Output Torque (in•lbs)	35800	35800	35800	35900	35800	35800	35800	35900	-	6180
Overhung Load (lbs)	9370	9370	9370	9370	9370	9370	9370	9370	-	
Input HP	-	-	-	-	-	-	-	-	-	
Output Torque (in•lbs)	44300	44300	44300	44300	44300	44300	39900	44300	-	6185
Overhung Load (lbs)	9370	9370	9370	9370	9370	9350	9370	9370	-	
Input HP	-	-	-	-	-	-	-	-	-	
Output Torque (in•lbs)	56400	56400	56400	56400	56400	56400	56400	56400	-	6190
Overhung Load (lbs)	13200	13200	13200	13200	13200	13200	13100	13200	-	
Input HP	-	-	-	-	-	-	-	-	-	
Output Torque (in•lbs)	70400	70400	70400	70400	70400	70400	70400	70400	-	6195
Overhung Load (lbs)	13200	13200	13200	13200	13100	13100	13000	13100	-	
Input HP	-	-	-	-	-	-	-	-	-	
Output Torque (in•lbs)	-	81700	-	82300	-	82300	-	77500	-	6205
Overhung Load (lbs)	-	18900	-	18900	-	18900	-	18900	-	
Input HP	-	-	-	-	-	-	-	-	-	
Output Torque (in•lbs)	-	112000	-	112000	-	112000	-	99800	-	6215
Overhung Load (lbs)	-	23400	-	23400	-	23400	-	23400	-	
Input HP	-	-	-	-	-	-	-	-	-	
Output Torque (in•lbs)	-	133000	-	141000	-	141000	-	134000	-	6225
Overhung Load (lbs)	-	32600	-	32600	-	32600	-	32600	-	
Input HP	-	-	-	-	-	-	-	-	-	
Output Torque (in•lbs)	-	168000	-	181000	-	181000	-	152000	-	6235
Overhung Load (lbs)	-	40100	-	40100	-	40100	-	40100	-	
Input HP	-	-	-	-	-	-	-	-	-	
Output Torque (in•lbs)	-	228000	-	228000	-	228000	-	200000	-	6245
Overhung Load (lbs)	-	46700	-	46700	-	46700	-	46700	-	
Input HP	-	-	-	-	-	-	-	-	-	
Output Torque (in•lbs)	-	287000	-	306000	-	306000	-	274000	-	6255
Overhung Load (lbs)	-	58000	-	58000	-	58000	-	58000	-	
Input HP	-	-	-	-	-	-	-	-	-	
Output Torque (in•lbs)	-	407000	-	407000	-	407000	-	390000	-	6265
Overhung Load (lbs)	-	61900	-	61900	-	61900	-	61900	-	
Input HP	-	-	-	-	-	-	-	-	-	
Output Torque (in•lbs)	-	603000	-	603000	-	603000	-	603000	-	6275
Overhung Load (lbs)	-	55800	-	55800	-	55800	-	55100	-	

Speed Reducers
Selection Tables

This page intentionally left blank.

Speed Reducers

Selection Tables

Selection Tables

Double Reduction



Speed
Reducers

Selection
Tables

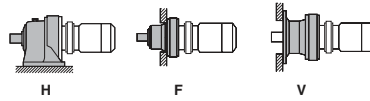
Single Reduction see page **3.2**



NOTE: Motor HP in **GRAY** is to overcome breakaway torque requirements in cold temperatures or high inertia applications. A torque limiting device is recommended to protect the unit or driven machine.

Frame Size Selection Tables 1750 RPM

Double Reduction, Ratios 104-731 H, F, V Housing Styles



Dimensions:	Foot Mount (H)	Pages 4.21-4.35
	F-Flange (F)	4.47-4.61
	V-Flange (V)	4.81-4.97

Output RPM Ratio	16.8	14.5	12.2	10.6	8.97	7.58	6.41	5.49	4.64	3.70	3.13	2.70	2.39	FRAME SIZE
	104	121	143	165	195	231	273	319	377	473	559	649	731	
Input HP	0.13	0.13	0.13	0.13	0.13	0.13	0.13	0.13	0.13	0.13	0.13	-	0.13	6060DA
Output Torque (in•lbs)	213	213	213	213	213	213	213	213	213	213	213	-	213	
Overhung Load (lbs)	265	265	265	265	265	265	265	265	265	265	265	-	265	
Input HP	0.13	0.13	0.13	0.13	0.13	0.13	0.13	0.13	0.13	0.13	0.13	-	0.13	6065DA
Output Torque (in•lbs)	266	266	266	266	266	266	266	266	266	266	266	-	266	
Overhung Load (lbs)	265	256	265	265	265	265	265	265	265	265	265	-	265	
Input HP	0.13	0.13	0.13	0.13	0.13	0.13	0.13	0.13	0.13	0.13	0.13	0.13	0.13	6070DA
Output Torque (in•lbs)	398	398	398	398	398	398	398	398	398	398	398	398	398	
Overhung Load (lbs)	397	397	397	397	397	397	397	397	397	397	397	397	397	
Input HP	0.16	0.13	0.13	0.13	0.13	0.13	0.13	0.13	0.13	0.13	0.13	0.13	0.13	6075DA
Output Torque (in•lbs)	531	450	531	531	531	531	531	531	531	531	531	508	531	
Overhung Load (lbs)	397	397	397	397	397	397	397	397	397	373	373	355	373	
Input HP	0.40	0.34	0.29	0.25	0.21	0.18	0.15	0.13	0.13	0.13	0.13	0.13	0.13	6090DA
Output Torque (in•lbs)	1330	1330	1330	1330	1330	1330	1330	1330	1330	1330	1330	1290	1330	
Overhung Load (lbs)	750	750	750	750	750	750	750	741	741	745	745	741	745	
Input HP	0.48	0.36	0.35	0.33	0.28	0.24	0.20	0.17	0.15	0.13	0.13	-	0.13	6095DA
Output Torque (in•lbs)	1600	1420	1620	1770	1770	1770	1770	1770	1770	1770	1770	-	1770	
Overhung Load (lbs)	750	750	750	750	750	750	750	719	719	723	723	-	723	
Input HP	0.58	0.57	0.48	0.41	0.35	0.30	0.25	0.22	0.18	0.15	0.13	0.13	0.13	6100DA
Output Torque (in•lbs)	1940	2210	2210	2210	2210	2210	2210	2210	2210	2210	2210	2210	2210	
Overhung Load (lbs)	1210	1210	1210	1210	1210	1210	1210	1210	1210	1210	1210	1210	1210	
Input HP	0.58	0.58	0.57	0.50	0.42	0.35	0.30	0.26	0.22	0.17	0.15	0.13	0.13	6105DA
Output Torque (in•lbs)	1940	2260	2660	2660	2660	2660	2660	2660	2660	2660	2660	2620	2660	
Overhung Load (lbs)	1210	1210	1210	1210	1210	1210	1210	1210	1210	1210	1210	1140	1210	
Input HP	1.38	1.19	1.00	0.87	0.74	0.62	0.52	0.45	0.38	0.30	0.26	0.22	0.20	6120DB
Output Torque (in•lbs)	4640	4640	4640	4640	4640	4620	4620	4600	4600	4640	4640	4640	4640	
Overhung Load (lbs)	2200	2200	2200	2200	2200	2200	2200	2200	2200	2200	2200	2200	2200	
Input HP	1.65	1.41	1.20	1.04	0.88	0.75	0.63	0.54	0.46	0.36	0.31	0.27	0.24	6125DB
Output Torque (in•lbs)	5570	5500	5570	5570	5570	5570	5570	5570	5570	5570	5570	5570	5570	
Overhung Load (lbs)	2200	2200	2200	2200	2200	2200	2200	2200	2200	2200	2200	2200	2200	
Input HP	-	-	-	-	-	-	0.58	0.58	0.57	0.45	0.38	0.38	0.29	6130DA
Output Torque (in•lbs)	-	-	-	-	-	-	5100	5950	6900	6900	6900	8070	6900	
Overhung Load (lbs)	-	-	-	-	-	-	3310	3310	3310	3310	3310	3310	3310	
Input HP	2.05	1.76	1.49	1.29	1.09	0.92	0.78	0.67	0.57	0.45	0.38	0.38	0.29	6130DB
Output Torque (in•lbs)	6900	6900	6900	6900	6900	6900	6900	6900	6900	6900	6900	8070	6900	
Overhung Load (lbs)	3310	3310	3310	3310	3310	3310	3310	3310	3310	3310	3310	3310	3310	
Input HP	2.05	1.76	1.49	1.29	1.09	0.92	0.78	0.67	0.57	0.45	0.38	0.38	0.29	6130DC
Output Torque (in•lbs)	6900	6900	6900	6900	6900	6900	6900	6900	6900	6900	6900	8070	6900	
Overhung Load (lbs)	3310	3310	3310	3310	3310	3310	3310	3310	3310	3310	3310	3310	3310	
Input HP	-	-	-	-	-	-	-	0.58	0.58	0.54	0.46	0.44	0.35	6135DA
Output Torque (in•lbs)	-	-	-	-	-	-	-	5950	7040	8320	8320	9290	8320	
Overhung Load (lbs)	-	-	-	-	-	-	-	3310	3310	3310	3310	3310	3310	
Input HP	2.15	2.12	1.80	1.56	1.32	1.11	0.94	0.81	0.68	0.54	0.46	0.44	0.35	6135DB
Output Torque (in•lbs)	7230	8320	8320	8320	8320	8320	8320	8320	8320	8320	8320	9290	8320	
Overhung Load (lbs)	3310	3310	3310	3310	3310	3310	3310	3310	3310	3310	3310	3310	3310	
Input HP	2.47	2.12	1.80	1.56	1.32	1.11	0.94	0.81	0.68	0.54	0.46	0.44	0.35	6135DC
Output Torque (in•lbs)	8320	8320	8320	8320	8320	8320	8320	8320	8320	8320	8320	9290	8320	
Overhung Load (lbs)	3310	3310	3310	3310	3310	3310	3310	3310	3310	3310	3310	3310	3310	
Input HP	-	-	-	-	-	-	-	-	0.58	0.58	0.58	0.52	0.46	6140DA
Output Torque (in•lbs)	-	-	-	-	-	-	-	-	7040	8850	10400	10900	10900	
Overhung Load (lbs)	-	-	-	-	-	-	-	-	3590	3590	3590	3590	3590	
Input HP	2.15	2.15	2.15	2.03	1.72	1.45	1.23	1.05	0.89	0.71	0.60	0.52	0.46	6140DB
Output Torque (in•lbs)	6880	7980	9480	10900	10900	10900	10900	10900	10900	10900	10900	10900	10900	
Overhung Load (lbs)	3590	3590	3590	3590	3590	3590	3590	3590	3590	3590	3590	3590	3590	
Input HP	3.22	2.77	2.34	2.03	1.72	1.45	1.23	1.05	0.89	0.71	0.60	0.52	0.46	6140DC
Output Torque (in•lbs)	10900	10900	10900	10900	10900	10900	10900	10900	10900	10900	10900	10900	10900	
Overhung Load (lbs)	3590	3590	3590	3590	3590	3590	3590	3590	3590	3590	3590	3590	3590	

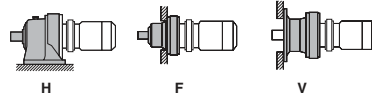
Speed Reducers Selection Tables

NOTE: Motor HP in **GRAY** is to overcome breakaway torque requirements in cold temperatures or high inertia applications. A torque limiting device is recommended to protect the unit or driven machine.

1750 RPM Frame Size Selection Tables

Double Reduction, Ratios 841-7569 H, F, V Housing Styles

Dimensions:		Pages
Foot Mount (H)	(H)	4.21-4.35
F-Flange (F)	(F)	4.47-4.61
V-Flange (V)	(V)	4.81-4.97

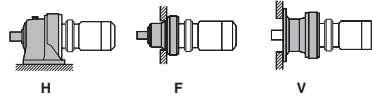


Output RPM Ratio	2.08 841	1.74 1003	1.40 1247	1.18 1479	0.946 1849	0.847 2065	0.690 2537	0.575 3045	0.503 3481	0.394 4437	0.341 5133	0.283 6177	0.231 7569	FRAME SIZE
Input HP	0.13	-	0.13	-	0.13	-	-	-	-	-	-	-	-	6060DA
Output Torque (in•lbs)	213	-	213	-	213	-	-	-	-	-	-	-	-	
Overhung Load (lbs)	265	-	265	-	265	-	-	-	-	-	-	-	-	
Input HP	0.13	-	0.13	-	0.13	-	-	-	-	-	-	-	-	6065DA
Output Torque (in•lbs)	266	-	266	-	266	-	-	-	-	-	-	-	-	
Overhung Load (lbs)	265	-	265	-	265	-	-	-	-	-	-	-	-	
Input HP	0.13	0.13	0.13	-	0.13	0.13	0.13	-	-	-	-	-	-	6070DA
Output Torque (in•lbs)	398	398	398	-	398	398	398	-	-	-	-	-	-	
Overhung Load (lbs)	397	397	397	-	397	397	397	-	-	-	-	-	-	
Input HP	0.13	0.13	0.13	-	0.13	0.13	0.13	-	-	-	-	-	-	6075DA
Output Torque (in•lbs)	531	508	531	-	531	508	508	-	-	-	-	-	-	
Overhung Load (lbs)	397	355	373	-	373	355	355	-	-	-	-	-	-	
Input HP	0.13	0.13	0.13	0.13	0.13	0.13	0.13	0.13	0.13	0.13	0.13	-	-	6090DA
Output Torque (in•lbs)	1330	1290	1330	1330	1330	1290	1290	1330	1290	1330	1330	-	-	
Overhung Load (lbs)	741	741	745	745	745	741	741	745	741	745	745	-	-	
Input HP	0.13	-	0.13	0.13	0.13	-	-	0.13	-	0.13	0.13	-	-	6095DA
Output Torque (in•lbs)	1770	-	1770	1700	1770	-	-	1700	-	1700	1700	-	-	
Overhung Load (lbs)	719	-	723	728	723	-	-	728	-	728	728	-	-	
Input HP	0.13	0.13	0.13	0.13	0.13	0.13	0.13	0.13	0.13	0.13	0.13	-	-	6100DA
Output Torque (in•lbs)	2210	2210	2210	2210	2210	2210	2210	2210	2210	2210	2210	-	-	
Overhung Load (lbs)	1210	1210	1210	1210	1210	1210	1210	1210	1210	1210	1210	-	-	
Input HP	0.13	0.13	0.13	0.13	0.13	0.13	0.13	0.13	0.13	0.13	0.13	-	-	6105DA
Output Torque (in•lbs)	2660	2620	2660	2660	2660	2620	2620	2660	2620	2660	2660	-	-	
Overhung Load (lbs)	1210	1140	1210	1080	1210	1140	1140	1080	1140	1080	1080	-	-	
Input HP	0.17	0.14	0.13	0.13	0.13	0.13	0.13	0.13	0.13	0.13	0.13	0.13	0.13	6120DB
Output Torque (in•lbs)	4600	4640	4640	4640	4640	4640	4640	4640	4640	4640	4640	4640	4640	
Overhung Load (lbs)	2200	2200	2200	2200	2200	2200	2200	2200	2200	2200	2200	2200	2200	
Input HP	0.21	0.17	0.14	0.13	0.13	0.13	0.13	0.13	0.13	0.13	0.13	0.13	0.13	6125DB
Output Torque (in•lbs)	5570	5570	5570	5570	5570	5570	5570	5570	5570	5570	5570	5570	5570	
Overhung Load (lbs)	2200	2200	2200	2150	2200	2200	2200	2150	2200	2150	2150	2150	2150	
Input HP	0.27	0.27	0.27	0.27	0.27	0.27	0.27	0.27	0.27	0.27	0.27	-	-	6130DA
Output Torque (in•lbs)	6900	8070	6900	7510	6900	8070	8070	7510	8070	7510	7510	-	-	
Overhung Load (lbs)	3310	3310	3310	3310	3310	3310	3310	3310	3310	3310	3310	-	-	
Input HP	0.27	0.27	0.27	0.27	0.27	0.27	0.27	0.27	0.27	0.27	0.27	0.27	0.27	6130DB
Output Torque (in•lbs)	6900	8070	6900	7510	6900	8070	8070	7510	8070	7510	7510	7510	7510	
Overhung Load (lbs)	3310	3310	3310	3310	3310	3310	3310	3310	3310	3310	3310	3310	3310	
Input HP	0.27	0.27	0.27	0.27	0.27	0.27	0.27	0.27	0.27	0.27	0.27	0.27	0.27	6130DC
Output Torque (in•lbs)	6900	8070	6900	7510	6900	8070	8070	7510	8070	7510	7510	7510	7510	
Overhung Load (lbs)	3310	3310	3310	3310	3310	3310	3310	3310	3310	3310	3310	3310	3310	
Input HP	0.31	0.29	0.27	0.27	0.27	0.27	0.27	0.27	0.27	0.27	0.27	-	-	6135DA
Output Torque (in•lbs)	8320	9290	8320	8660	8320	9290	9290	8660	9290	8660	8660	-	-	
Overhung Load (lbs)	3310	3310	3310	3310	3310	3310	3310	3310	3310	3310	3310	-	-	
Input HP	0.31	0.29	0.27	0.27	0.27	0.27	0.27	0.27	0.27	0.27	0.27	0.27	0.27	6135DB
Output Torque (in•lbs)	8320	9290	8320	8660	8320	9290	9290	8660	9290	8660	8660	8660	8660	
Overhung Load (lbs)	3310	3310	3310	3310	3310	3310	3310	3310	3310	3310	3310	3310	3310	
Input HP	0.31	0.29	0.27	0.27	0.27	0.27	0.27	0.27	0.27	0.27	0.27	0.27	0.27	6135DC
Output Torque (in•lbs)	8320	9290	8320	8660	8320	9290	9290	8660	9290	8660	8660	8660	8660	
Overhung Load (lbs)	3310	3310	3310	3310	3310	3310	3310	3310	3310	3310	3310	3310	3310	
Input HP	0.40	0.33	0.27	0.27	0.27	0.27	0.27	0.27	0.27	0.27	0.27	-	-	6140DA
Output Torque (in•lbs)	10900	10900	10900	10900	10900	10900	10900	10900	10900	10900	10900	-	-	
Overhung Load (lbs)	3590	3590	3590	3590	3590	3590	3590	3590	3590	3590	3590	-	-	
Input HP	0.40	0.33	0.27	0.27	0.27	0.27	0.27	0.27	0.27	0.27	0.27	0.27	0.27	6140DB
Output Torque (in•lbs)	10900	10900	10900	10900	10900	10900	10900	10900	10900	10900	10900	10900	10900	
Overhung Load (lbs)	3590	3590	3590	3590	3590	3590	3590	3590	3590	3590	3590	3590	3590	
Input HP	0.40	0.33	0.27	0.27	0.27	0.27	0.27	0.27	0.27	0.27	0.27	0.27	0.27	6140DC
Output Torque (in•lbs)	10900	10900	10900	10900	10900	10900	10900	10900	10900	10900	10900	10900	10900	
Overhung Load (lbs)	3590	3590	3590	3590	3590	3590	3590	3590	3590	3590	3590	3590	3590	

Speed Reducers
Selection Tables

Frame Size Selection Tables 1750 RPM

Double Reduction, Ratios 104-731 H, V, F Housing Styles



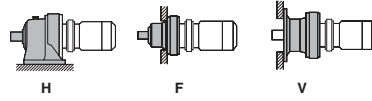
Dimensions:	Foot Mount (H)	Pages
	F-Flange (F)	4.21-4.35
	V-Flange (V)	4.47-4.61

Output RPM Ratio	16.8 104	14.5 121	12.2 143	10.6 165	8.97 195	7.58 231	6.41 273	5.49 319	4.64 377	3.70 473	3.13 559	2.70 649	2.39 731	FRAME SIZE
Input HP	-	34.1	-	32.5	27.5	22.4	18.9	16.2	13.7	11.8	10.0	8.63	7.66	6235DA
Output Torque (in•lbs)	-	134000	-	174000	174000	168000	168000	168000	181000	181000	181000	181000	181000	
Overhung Load (lbs)	-	30000	-	32000	33700	36400	38100	39900	40100	40100	40100	40100	40100	
Input HP	-	42.3	-	32.5	-	-	-	-	-	-	-	-	-	6235DB
Output Torque (in•lbs)	-	166000	-	174000	-	-	-	-	-	-	-	-	-	
Overhung Load (lbs)	-	29800	-	32000	-	-	-	-	-	-	-	-	-	
Input HP	-	-	-	34.1	32.1	30.5	25.8	22.1	18.7	14.9	12.6	10.9	9.65	6245DA
Output Torque (in•lbs)	-	-	-	182000	202000	228000	228000	228000	228000	228000	228000	228000	228000	
Overhung Load (lbs)	-	-	-	35900	37700	40100	42300	44100	46500	46700	46700	46700	46700	
Input HP	-	46.4	-	43.5	36.8	30.5	-	-	-	-	-	-	-	6245DB
Output Torque (in•lbs)	-	181000	-	233000	233000	228000	-	-	-	-	-	-	-	
Overhung Load (lbs)	-	33100	-	35500	37500	40100	-	-	-	-	-	-	-	
Input HP	-	42.7	-	42.7	42.7	36.6	31.0	27.8	23.5	20.0	16.9	14.5	12.9	6255DA
Output Torque (in•lbs)	-	168000	-	228000	270000	274000	274000	287000	287000	306000	306000	306000	306000	
Overhung Load (lbs)	-	40800	-	43900	45900	48900	51600	54200	57100	58000	58000	58000	58000	
Input HP	-	62.1	-	51.5	43.6	-	-	-	-	-	-	-	-	6255DB
Output Torque (in•lbs)	-	243000	-	276000	276000	-	-	-	-	-	-	-	-	
Overhung Load (lbs)	-	40600	-	43700	45900	-	-	-	-	-	-	-	-	
Input HP	-	68.2	-	68.2	61.3	54.4	46.0	39.5	33.3	26.6	22.6	19.3	17.2	6265DA
Output Torque (in•lbs)	-	267000	-	364000	387000	407000	407000	407000	407000	407000	407000	407000	407000	
Overhung Load (lbs)	-	49600	-	53100	55800	59500	61900	61900	61900	61900	61900	61900	61900	
Input HP	-	-	-	-	-	-	-	58.4	49.4	39.5	33.3	28.7	25.5	6275DA
Output Torque (in•lbs)	-	-	-	-	-	-	-	603000	603000	603000	603000	603000	603000	
Overhung Load (lbs)	-	-	-	-	-	-	-	55800	55800	55800	55800	55800	55800	

Speed Reducers
Selection Tables

1750 RPM Frame Size Selection Tables

Dimensions:		Pages
Foot Mount (H)	4.21-4.35	
F-Flange (F)	4.47-4.61	
V-Flange (V)	4.81-4.97	



Double Reduction, Ratios 841-7569 H, V, F Housing Styles

Output RPM Ratio	2.08 841	1.74 1003	1.40 1247	1.18 1479	0.946 1849	0.847 2065	0.690 2537	0.575 3045	0.503 3481	0.394 4437	0.341 5133	0.283 6177	0.231 7569	FRAME SIZE
Input HP	6.15	5.58	4.50	3.17	3.03	2.95	2.95	2.95	2.95	2.95	2.95	2.95	2.95	6235DA
Output Torque (in•lbs)	168000	181000	181000	152000	181000	181000	181000	152000	181000	152000	181000	152000	152000	
Overhung Load (lbs)	40100	40100	40100	40100	40100	40100	40100	40100	40100	40100	40100	40100	40100	
Input HP	-	-	-	-	-	-	-	-	-	-	-	-	-	6235DB
Output Torque (in•lbs)	-	-	-	-	-	-	-	-	-	-	-	-	-	
Overhung Load (lbs)	-	-	-	-	-	-	-	-	-	-	-	-	-	
Input HP	8.39	7.03	5.65	4.19	3.81	3.41	2.95	2.95	2.95	2.95	2.95	2.95	2.95	6245DA
Output Torque (in•lbs)	228000	228000	228000	201000	228000	228000	228000	201000	228000	201000	228000	201000	201000	
Overhung Load (lbs)	46700	46700	46700	46700	46700	46700	46700	46700	46700	46700	46700	46700	46700	
Input HP	-	-	-	-	-	-	-	-	-	-	-	-	-	6245DB
Output Torque (in•lbs)	-	-	-	-	-	-	-	-	-	-	-	-	-	
Overhung Load (lbs)	-	-	-	-	-	-	-	-	-	-	-	-	-	
Input HP	10.6	9.40	7.56	5.73	5.10	4.97	4.97	4.97	4.97	4.97	4.97	4.97	4.97	6255DA
Output Torque (in•lbs)	287000	306000	306000	274000	306000	306000	306000	274000	306000	274000	306000	274000	274000	
Overhung Load (lbs)	58000	58000	58000	58000	58000	58000	58000	58000	58000	58000	58000	58000	58000	
Input HP	-	-	-	-	-	-	-	-	-	-	-	-	-	6255DB
Output Torque (in•lbs)	-	-	-	-	-	-	-	-	-	-	-	-	-	
Overhung Load (lbs)	-	-	-	-	-	-	-	-	-	-	-	-	-	
Input HP	14.9	12.5	10.1	8.13	7.38	7.38	7.38	7.38	7.38	7.38	7.38	7.38	7.38	6265DA
Output Torque (in•lbs)	407000	407000	407000	390000	407000	407000	407000	390000	407000	390000	407000	390000	390000	
Overhung Load (lbs)	61900	61900	61900	61900	61900	61900	61900	61900	61900	61900	61900	61900	61900	
Input HP	22.1	18.5	14.9	12.6	10.1	10.1	10.1	10.1	10.1	10.1	10.1	10.1	10.1	6275DA
Output Torque (in•lbs)	603000	603000	603000	603000	603000	603000	603000	603000	603000	603000	603000	603000	603000	
Overhung Load (lbs)	55800	55800	55800	55100	55800	55800	55800	55100	55800	55100	55100	55100	55100	

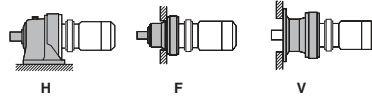
Speed Reducers

Selection Tables

NOTE: Motor HP in **GRAY** is to overcome breakaway torque requirements in cold temperatures or high inertia applications. A torque limiting device is recommended to protect the unit or driven machine.

Frame Size Selection Tables 1450 RPM

Double Reduction, Ratios 104-731 H, F, V Housing Styles



Dimensions:	Foot Mount (H)	Pages 4.21-4.35
	F-Flange (F)	4.47-4.61
	V-Flange (V)	4.81-4.97

Output RPM Ratio	13.9	12.0	10.1	8.79	7.44	6.28	5.31	4.55	3.85	3.07	2.59	2.23	1.98	FRAME SIZE
	104	121	143	165	195	231	273	319	377	473	559	649	731	
Input HP	0.13	0.13	0.13	0.13	0.13	0.13	0.13	0.13	0.13	0.13	0.13	-	0.13	6060DA
Output Torque (in•lbs)	213	213	213	213	213	213	213	213	213	213	213	-	213	
Overhung Load (lbs)	265	265	265	265	265	265	265	265	265	265	265	-	265	
Input HP	0.13	0.13	0.13	0.13	0.13	0.13	0.13	0.13	0.13	0.13	0.13	-	0.13	6065DA
Output Torque (in•lbs)	266	266	266	266	266	266	266	266	266	266	266	-	266	
Overhung Load (lbs)	265	256	265	265	265	265	265	265	265	265	265	-	265	
Input HP	0.13	0.13	0.13	0.13	0.13	0.13	0.13	0.13	0.13	0.13	0.13	0.13	0.13	6070DA
Output Torque (in•lbs)	398	398	398	398	398	398	398	398	398	398	398	398	398	
Overhung Load (lbs)	397	397	397	397	397	397	397	397	397	397	397	397	397	
Input HP	0.13	0.13	0.13	0.13	0.13	0.13	0.13	0.13	0.13	0.13	0.13	0.13	0.13	6075DA
Output Torque (in•lbs)	531	450	531	531	531	531	531	531	531	531	531	508	531	
Overhung Load (lbs)	397	397	397	397	397	397	397	397	397	373	373	355	373	
Input HP	0.33	0.28	0.24	0.21	0.17	0.15	0.13	0.13	0.13	0.13	0.13	0.13	0.13	6090DA
Output Torque (in•lbs)	1330	1330	1330	1330	1330	1330	1330	1330	1330	1330	1330	1290	1330	
Overhung Load (lbs)	750	750	750	750	750	750	750	741	741	745	745	741	745	
Input HP	0.39	0.30	0.29	0.27	0.23	0.20	0.17	0.14	0.13	0.13	0.13	-	0.13	6095DA
Output Torque (in•lbs)	1600	1420	1620	1770	1770	1770	1770	1770	1770	1770	1770	-	1770	
Overhung Load (lbs)	750	750	750	750	750	750	750	719	719	723	723	-	723	
Input HP	0.54	0.47	0.40	0.34	0.29	0.25	0.21	0.18	0.15	0.13	0.13	0.13	0.13	6100DA
Output Torque (in•lbs)	2210	2210	2210	2210	2210	2210	2210	2210	2210	2210	2210	2210	2210	
Overhung Load (lbs)	1210	1210	1210	1210	1210	1210	1210	1210	1210	1210	1210	1210	1210	
Input HP	0.58	0.58	0.48	0.41	0.35	0.29	0.25	0.21	0.18	0.14	0.13	0.13	0.13	6105DA
Output Torque (in•lbs)	2340	2730	2660	2660	2660	2660	2660	2660	2660	2660	2660	2620	2660	
Overhung Load (lbs)	1210	1210	1210	1210	1210	1210	1210	1210	1210	1210	1210	1140	1210	
Input HP	1.14	0.98	0.83	0.72	0.61	0.51	0.43	0.37	0.31	0.25	0.21	0.18	0.16	6120DB
Output Torque (in•lbs)	4640	4640	4640	4640	4640	4620	4620	4600	4600	4640	4640	4640	4640	
Overhung Load (lbs)	2200	2200	2200	2200	2200	2200	2200	2200	2200	2200	2200	2200	2200	
Input HP	1.37	1.16	1.00	0.86	0.73	0.62	0.52	0.45	0.38	0.30	0.26	0.22	0.19	6125DB
Output Torque (in•lbs)	5570	5500	5570	5570	5570	5570	5570	5570	5570	5570	5570	5570	5570	
Overhung Load (lbs)	2200	2200	2200	2200	2200	2200	2200	2200	2200	2200	2200	2200	2200	
Input HP	-	-	-	-	-	-	0.58	0.55	0.47	0.37	0.32	0.32	0.27	6130DA
Output Torque (in•lbs)	-	-	-	-	-	-	6150	6900	6900	6900	6900	8070	6900	
Overhung Load (lbs)	-	-	-	-	-	-	3310	3310	3310	3310	3310	3310	3310	
Input HP	1.70	1.46	1.23	1.07	0.91	0.77	0.65	0.55	0.47	0.37	0.32	0.32	0.27	6130DB
Output Torque (in•lbs)	6900	6900	6900	6900	6900	6900	6900	6900	6900	6900	6900	8070	6900	
Overhung Load (lbs)	3310	3310	3310	3310	3310	3310	3310	3310	3310	3310	3310	3310	3310	
Input HP	1.70	1.46	1.23	1.07	0.91	0.77	0.65	0.55	0.47	0.37	0.32	0.32	0.27	6130DC
Output Torque (in•lbs)	6900	6900	6900	6900	6900	6900	6900	6900	6900	6900	6900	8070	6900	
Overhung Load (lbs)	3310	3310	3310	3310	3310	3310	3310	3310	3310	3310	3310	3310	3310	
Input HP	-	-	-	-	-	-	-	0.58	0.57	0.45	0.38	0.37	0.29	6135DA
Output Torque (in•lbs)	-	-	-	-	-	-	-	7190	8320	8320	8320	9290	8320	
Overhung Load (lbs)	-	-	-	-	-	-	-	3310	3310	3310	3310	3310	3310	
Input HP	2.04	1.76	1.49	1.29	1.09	0.92	0.78	0.67	0.57	0.45	0.38	0.37	0.29	6135DB
Output Torque (in•lbs)	8320	8320	8320	8320	8320	8320	8320	8320	8320	8320	8320	9290	8320	
Overhung Load (lbs)	3310	3310	3310	3310	3310	3310	3310	3310	3310	3310	3310	3310	3310	
Input HP	2.04	1.76	1.49	1.29	1.09	0.92	0.78	0.67	0.57	0.45	0.38	0.37	0.29	6135DC
Output Torque (in•lbs)	8320	8320	8320	8320	8320	8320	8320	8320	8320	8320	8320	9290	8320	
Overhung Load (lbs)	3310	3310	3310	3310	3310	3310	3310	3310	3310	3310	3310	3310	3310	
Input HP	-	-	-	-	-	-	-	-	0.58	0.58	0.50	0.43	0.38	6140DA
Output Torque (in•lbs)	-	-	-	-	-	-	-	-	8490	10700	10900	10900	10900	
Overhung Load (lbs)	-	-	-	-	-	-	-	-	3590	3590	3590	3590	3590	
Input HP	2.15	2.15	1.95	1.68	1.42	1.20	1.02	0.87	0.74	0.59	0.50	0.43	0.38	6140DB
Output Torque (in•lbs)	8680	10200	10900	10900	10900	10900	10900	10900	10900	10900	10900	10900	10900	
Overhung Load (lbs)	3590	3590	3590	3590	3590	3590	3590	3590	3590	3590	3590	3590	3590	
Input HP	2.67	2.30	1.95	1.68	1.42	1.20	1.02	0.87	0.74	0.59	0.50	0.43	0.38	6140DC
Output Torque (in•lbs)	10900	10900	10900	10900	10900	10900	10900	10900	10900	10900	10900	10900	10900	
Overhung Load (lbs)	3590	3590	3590	3590	3590	3590	3590	3590	3590	3590	3590	3590	3590	

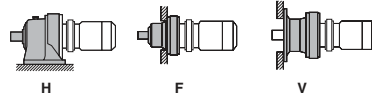
Speed Reducers Selection Tables

NOTE: Motor HP in **GRAY** is to overcome breakaway torque requirements in cold temperatures or high inertia applications. A torque limiting device is recommended to protect the unit or driven machine.

1450 RPM Frame Size Selection Tables

Double Reduction, Ratios 841-7569 H, F, V Housing Styles

Dimensions:		Pages
Foot Mount (H)	(H)	4.21-4.35
F-Flange (F)	(F)	4.47-4.61
V-Flange (V)	(V)	4.81-4.97

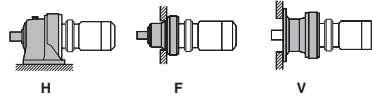


Output RPM Ratio	1.72 841	1.45 1003	1.16 1247	0.980 1479	0.784 1849	0.702 2065	0.572 2537	0.476 3045	0.417 3481	0.327 4437	0.282 5133	0.235 6177	0.192 7569	FRAME SIZE
Input HP	0.13	-	0.13	-	0.13	-	-	-	-	-	-	-	-	6060DA
Output Torque (in•lbs)	213	-	213	-	213	-	-	-	-	-	-	-	-	
Overhung Load (lbs)	265	-	265	-	265	-	-	-	-	-	-	-	-	
Input HP	0.13	-	0.13	-	0.13	-	-	-	-	-	-	-	-	6065DA
Output Torque (in•lbs)	266	-	266	-	266	-	-	-	-	-	-	-	-	
Overhung Load (lbs)	265	-	265	-	265	-	-	-	-	-	-	-	-	
Input HP	0.13	0.13	0.13	-	0.13	0.13	0.13	-	-	-	-	-	-	6070DA
Output Torque (in•lbs)	398	398	398	-	398	398	398	-	-	-	-	-	-	
Overhung Load (lbs)	397	397	397	-	397	397	397	-	-	-	-	-	-	
Input HP	0.13	0.13	0.13	-	0.13	0.13	0.13	-	-	-	-	-	-	6075DA
Output Torque (in•lbs)	531	508	531	-	531	508	508	-	-	-	-	-	-	
Overhung Load (lbs)	397	355	373	-	373	355	355	-	-	-	-	-	-	
Input HP	0.13	0.13	0.13	0.13	0.13	0.13	0.13	0.13	0.13	0.13	0.13	-	-	6090DA
Output Torque (in•lbs)	1330	1290	1330	1330	1330	1290	1290	1330	1290	1330	1330	-	-	
Overhung Load (lbs)	741	741	745	745	745	741	741	745	741	745	745	-	-	
Input HP	0.13	-	0.13	0.13	0.13	-	-	0.13	-	0.13	0.13	-	-	6095DA
Output Torque (in•lbs)	1770	-	1770	1700	1770	-	-	1700	-	1700	1700	-	-	
Overhung Load (lbs)	719	-	723	728	723	-	-	728	-	728	728	-	-	
Input HP	0.13	0.13	0.13	0.13	0.13	0.13	0.13	0.13	0.13	0.13	0.13	-	-	6100DA
Output Torque (in•lbs)	2210	2210	2210	2210	2210	2210	2210	2210	2210	2210	2210	-	-	
Overhung Load (lbs)	1210	1210	1210	1210	1210	1210	1210	1210	1210	1210	1210	-	-	
Input HP	0.13	0.13	0.13	0.13	0.13	0.13	0.13	0.13	0.13	0.13	0.13	-	-	6105DA
Output Torque (in•lbs)	2660	2620	2660	2660	2660	2620	2620	2660	2620	2660	2660	-	-	
Overhung Load (lbs)	1210	1140	1210	1080	1210	1140	1140	1080	1140	1080	1080	-	-	
Input HP	0.14	0.13	0.13	0.13	0.13	0.13	0.13	0.13	0.13	0.13	0.13	0.13	0.13	6120DB
Output Torque (in•lbs)	4600	4640	4640	4640	4640	4640	4640	4640	4640	4640	4640	4640	4640	
Overhung Load (lbs)	2200	2200	2200	2200	2200	2200	2200	2200	2200	2200	2200	2200	2200	
Input HP	0.17	0.14	0.13	0.13	0.13	0.13	0.13	0.13	0.13	0.13	0.13	0.13	0.13	6125DB
Output Torque (in•lbs)	5570	5570	5570	5570	5570	5570	5570	5570	5570	5570	5570	5570	5570	
Overhung Load (lbs)	2200	2200	2200	2150	2200	2200	2200	2150	2200	2150	2150	2150	2150	
Input HP	0.27	0.27	0.27	0.27	0.27	0.27	0.27	0.27	0.27	0.27	0.27	-	-	6130DA
Output Torque (in•lbs)	6900	8070	6900	7510	6900	8070	8070	7510	8070	7510	7510	-	-	
Overhung Load (lbs)	3310	3310	3310	3310	3310	3310	3310	3310	3310	3310	3310	-	-	
Input HP	0.27	0.27	0.27	0.27	0.27	0.27	0.27	0.27	0.27	0.27	0.27	0.27	0.27	6130DB
Output Torque (in•lbs)	6900	8070	6900	7510	6900	8070	8070	7510	8070	7510	7510	7510	7510	
Overhung Load (lbs)	3310	3310	3310	3310	3310	3310	3310	3310	3310	3310	3310	3310	3310	
Input HP	0.27	0.27	0.27	0.27	0.27	0.27	0.27	0.27	0.27	0.27	0.27	-	-	6130DC
Output Torque (in•lbs)	6900	8070	6900	7510	6900	8070	8070	7510	8070	7510	7510	7510	7510	
Overhung Load (lbs)	3310	3310	3310	3310	3310	3310	3310	3310	3310	3310	3310	3310	3310	
Input HP	0.27	0.27	0.27	0.27	0.27	0.27	0.27	0.27	0.27	0.27	0.27	-	-	6135DA
Output Torque (in•lbs)	8320	9290	8320	8660	8320	9290	9290	8660	9290	8660	8660	-	-	
Overhung Load (lbs)	3310	3310	3310	3310	3310	3310	3310	3310	3310	3310	3310	-	-	
Input HP	0.27	0.27	0.27	0.27	0.27	0.27	0.27	0.27	0.27	0.27	0.27	0.27	0.27	6135DB
Output Torque (in•lbs)	8320	9290	8320	8660	8320	9290	9290	8660	9290	8660	8660	8660	8660	
Overhung Load (lbs)	3310	3310	3310	3310	3310	3310	3310	3310	3310	3310	3310	3310	3310	
Input HP	0.27	0.27	0.27	0.27	0.27	0.27	0.27	0.27	0.27	0.27	0.27	0.27	0.27	6135DC
Output Torque (in•lbs)	8320	9290	8320	8660	8320	9290	9290	8660	9290	8660	8660	8660	8660	
Overhung Load (lbs)	3310	3310	3310	3310	3310	3310	3310	3310	3310	3310	3310	3310	3310	
Input HP	0.33	0.28	0.27	0.27	0.27	0.27	0.27	0.27	0.27	0.27	0.27	-	-	6140DA
Output Torque (in•lbs)	10900	10900	10900	10900	10900	10900	10900	10900	10900	10900	10900	-	-	
Overhung Load (lbs)	3590	3590	3590	3590	3590	3590	3590	3590	3590	3590	3590	-	-	
Input HP	0.33	0.28	0.27	0.27	0.27	0.27	0.27	0.27	0.27	0.27	0.27	0.27	0.27	6140DB
Output Torque (in•lbs)	10900	10900	10900	10900	10900	10900	10900	10900	10900	10900	10900	10900	10900	
Overhung Load (lbs)	3590	3590	3590	3590	3590	3590	3590	3590	3590	3590	3590	3590	3590	
Input HP	0.33	0.28	0.27	0.27	0.27	0.27	0.27	0.27	0.27	0.27	0.27	0.27	0.27	6140DC
Output Torque (in•lbs)	10900	10900	10900	10900	10900	10900	10900	10900	10900	10900	10900	10900	10900	
Overhung Load (lbs)	3590	3590	3590	3590	3590	3590	3590	3590	3590	3590	3590	3590	3590	

Speed Reducers
Selection Tables

Frame Size Selection Tables 1450 RPM

Double Reduction, Ratios 104-731 H, V, F Housing Styles

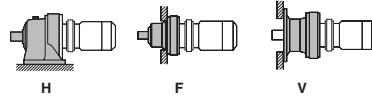


Dimensions:	Foot Mount (H)	Pages
	F-Flange (F)	4.21-4.35
	V-Flange (V)	4.47-4.61

Output RPM Ratio	13.9 104	12.0 121	10.1 143	8.79 165	7.44 195	6.28 231	5.31 273	4.55 319	3.85 377	3.07 473	2.59 559	2.23 649	1.98 731	FRAME SIZE
Input HP	-	34.1	-	26.8	22.8	18.5	15.7	13.4	11.4	9.81	8.31	7.15	6.35	6235DA
Output Torque (in•lbs)	-	161000	-	174000	174000	168000	168000	168000	181000	181000	181000	181000	181000	
Overhung Load (lbs)	-	31500	-	34000	35700	38400	40100	40100	40100	40100	40100	40100	40100	
Input HP	-	35.0	-	26.8	-	-	-	-	-	-	-	-	-	6235DB
Output Torque (in•lbs)	-	166000	-	174000	-	-	-	-	-	-	-	-	-	
Overhung Load (lbs)	-	31500	-	34000	-	-	-	-	-	-	-	-	-	
Input HP	-	-	-	34.1	30.5	25.2	21.3	18.3	15.4	12.3	10.5	9.01	7.99	6245DA
Output Torque (in•lbs)	-	-	-	220000	233000	228000	228000	228000	228000	228000	228000	228000	228000	
Overhung Load (lbs)	-	-	-	37700	39700	42500	44800	46700	46700	46700	46700	46700	46700	
Input HP	-	38.4	-	36.0	30.5	25.2	-	-	-	-	-	-	-	6245DB
Output Torque (in•lbs)	-	181000	-	233000	233000	228000	-	-	-	-	-	-	-	
Overhung Load (lbs)	-	35053	-	37699	39700	42500	-	-	-	-	-	-	-	
Input HP	-	42.7	-	42.7	36.2	30.3	25.8	23.1	19.5	16.5	14.0	12.0	10.7	6255DA
Output Torque (in•lbs)	-	202000	-	275000	276000	274000	274000	287000	287000	306000	306000	306000	306000	
Overhung Load (lbs)	-	43200	-	46300	48700	51800	54500	57300	58000	58000	58000	58000	58000	
Input HP	-	51.4	-	42.8	36.2	-	-	-	-	-	-	-	-	6255DB
Output Torque (in•lbs)	-	243000	-	276000	276000	-	-	-	-	-	-	-	-	
Overhung Load (lbs)	-	43000	-	46300	48700	-	-	-	-	-	-	-	-	
Input HP	-	58.7	-	60.0	50.7	45.1	38.1	32.6	27.7	22.0	18.7	16.1	14.2	6265DA
Output Torque (in•lbs)	-	277000	-	387000	387000	407000	407000	407000	407000	407000	407000	407000	407000	
Overhung Load (lbs)	-	52500	-	56200	59100	61900	61900	61900	61900	61900	61900	61900	61900	
Input HP	-	-	-	-	-	-	-	48.5	40.9	32.6	27.7	23.8	21.1	6275DA
Output Torque (in•lbs)	-	-	-	-	-	-	-	603000	603000	603000	603000	603000	603000	
Overhung Load (lbs)	-	-	-	-	-	-	-	55800	55800	55800	55800	55800	55800	

1450 RPM Frame Size Selection Tables

Dimensions:		Pages
Foot Mount (H)	4.21-4.35	
F-Flange (F)	4.47-4.61	
V-Flange (V)	4.81-4.97	



Double Reduction, Ratios 841-7569 H, V, F Housing Styles

Output RPM Ratio	1.72 841	1.45 1003	1.16 1247	0.980 1479	0.784 1849	0.702 2065	0.572 2537	0.476 3045	0.417 3481	0.327 4437	0.282 5133	0.235 6177	0.192 7569	FRAME SIZE
Input HP	5.09	4.63	3.72	2.95	2.95	2.95	2.95	2.95	2.95	2.95	2.95	2.95	2.95	6235DA
Output Torque (in•lbs)	168000	181000	181000	152000	181000	181000	181000	152000	181000	152000	181000	152000	152000	
Overhung Load (lbs)	40100	40100	40100	40100	40100	40100	40100	40100	40100	40100	40100	40100	40100	
Input HP	-	-	-	-	-	-	-	-	-	-	-	-	-	6235DB
Output Torque (in•lbs)	-	-	-	-	-	-	-	-	-	-	-	-	-	
Overhung Load (lbs)	-	-	-	-	-	-	-	-	-	-	-	-	-	
Input HP	6.95	5.83	4.68	3.46	3.15	2.95	2.95	2.95	2.95	2.95	2.95	2.95	2.95	6245DA
Output Torque (in•lbs)	228000	228000	228000	201000	228000	228000	228000	201000	228000	201000	228000	201000	201000	
Overhung Load (lbs)	46700	46700	46700	46700	46700	46700	46700	46700	46700	46700	46700	46700	46700	
Input HP	-	-	-	-	-	-	-	-	-	-	-	-	-	6245DB
Output Torque (in•lbs)	-	-	-	-	-	-	-	-	-	-	-	-	-	
Overhung Load (lbs)	-	-	-	-	-	-	-	-	-	-	-	-	-	
Input HP	8.74	7.79	6.27	4.97	4.97	4.97	4.97	4.97	4.97	4.97	4.97	4.97	4.97	6255DA
Output Torque (in•lbs)	287000	306000	306000	274000	306000	306000	306000	274000	306000	274000	306000	274000	274000	
Overhung Load (lbs)	58000	58000	58000	58000	58000	58000	58000	58000	58000	58000	58000	58000	58000	
Input HP	-	-	-	-	-	-	-	-	-	-	-	-	-	6255DB
Output Torque (in•lbs)	-	-	-	-	-	-	-	-	-	-	-	-	-	
Overhung Load (lbs)	-	-	-	-	-	-	-	-	-	-	-	-	-	
Input HP	12.4	10.4	8.35	7.38	7.38	7.38	7.38	7.38	7.38	7.38	7.38	7.38	7.38	6265DA
Output Torque (in•lbs)	407000	407000	407000	390000	407000	407000	407000	390000	407000	390000	407000	390000	390000	
Overhung Load (lbs)	61900	61900	61900	61900	61900	61900	61900	61900	61900	61900	61900	61900	61900	
Input HP	18.4	15.4	12.4	10.4	10.1	10.1	10.1	10.1	10.1	10.1	10.1	10.1	10.1	6275DA
Output Torque (in•lbs)	603000	603000	603000	603000	603000	603000	603000	603000	603000	603000	603000	603000	603000	
Overhung Load (lbs)	55800	55800	55800	55100	55800	55800	55800	55100	55800	55100	55100	55100	55100	

Speed Reducers

Selection Tables

This page intentionally left blank.

Speed Reducers

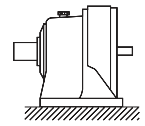
Selection Tables

4

Dimensions

Speed
Reducers

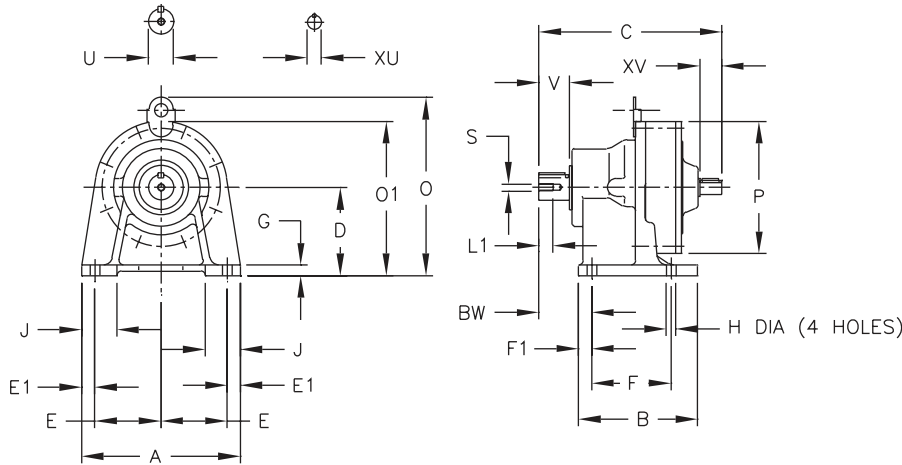
Dimensions



Dimensions Foot Mount

Single Reduction

CNH-6060/5Y ▶ 612HY



***Shaft Tolerances**

Shaft Nominal Diameter (inches)	Tolerances (inches)
0.500 (1/2) through 0.625 (5/8)	+0.0000/-0.0004
0.750 (3/4) through 1.125 (1 1/8)	+0.0000/-0.0005
1.250 (1 1/4) through 1.875 (1 7/8)	+0.0000/-0.0006

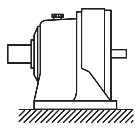
All dimensions are in inches

Model CNH	A	B	C	D	E	E1	F	F1	G	H	J	O1	O	P	BW
6060/5Y	5.67	3.31	5.71	3.150	2.36	0.47	2.36	0.47	0.39	0.35	1.38	5.31	-	4.33	1.61
6070/5Y	5.67	3.31	5.94	3.150	2.36	0.47	2.36	0.47	0.39	0.35	1.38	5.31	-	4.33	1.85
6080/5Y	5.67	3.90	7.05	3.543	2.36	0.47	2.95	0.47	0.51	0.35	1.46	6.18	-	5.28	2.05
6090/5Y	7.09	5.31	7.95	3.937	2.95	0.59	3.54	0.59	0.47	0.43	1.57	6.89	-	5.91	2.36
6100/5Y	7.09	5.31	8.19	3.937	2.95	0.59	3.54	0.59	0.47	0.43	1.57	-	8.15	5.91	2.36
610HY	7.09	5.31	8.19	4.724	2.95	0.59	3.54	0.59	0.47	0.43	1.77	-	8.94	5.91	2.36
6110/5Y	7.09	5.31	8.58	4.724	2.95	0.59	3.54	0.59	0.47	0.43	1.77	-	9.29	6.38	2.76
6120/5Y	9.06	6.10	10.20	4.724	3.74	0.79	4.53	0.79	0.59	0.55	2.17	-	10.12	8.03	3.23
612HY	9.06	6.10	10.20	5.512	3.74	0.79	4.53	0.79	0.59	0.55	2.36	-	10.91	8.03	3.23

Speed Reducers

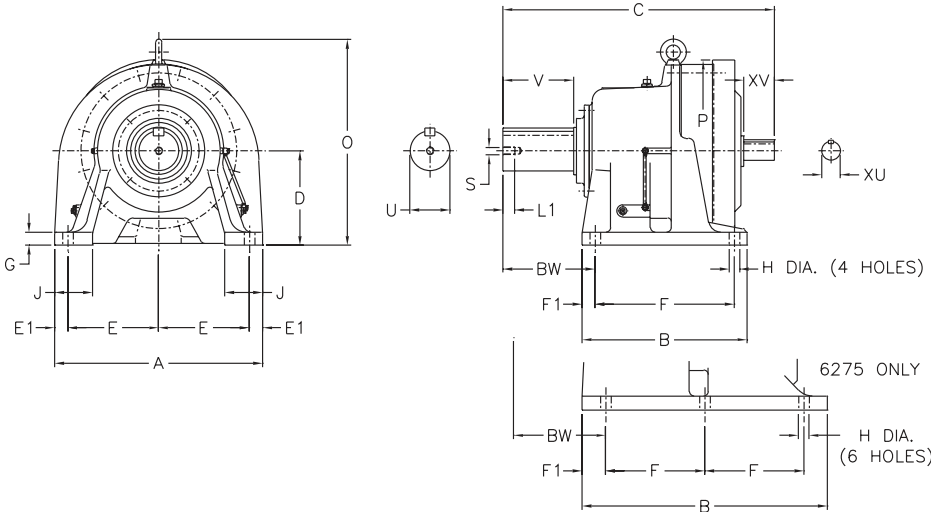
Dimensions

Model CNH	Low Speed Shaft					High Speed Shaft			Approx. Wt. (lb.)
	U*	V	S	L1	Key	XU*	XV	Key	
6060/5Y	0.500	0.98	10-32UNF	0.63	1/8 X 1/8 X 0.79	0.500	0.98	1/8 X 1/8 X 0.71	5.5
6070/5Y	0.750	1.18	12-28UNF	0.63	3/16 X 3/16 X 1.06	0.500	0.98	1/8 X 1/8 X 0.71	5.5
6080/5Y	0.875	1.38	12-28UNF	0.63	3/16 X 3/16 X 1.18	0.500	0.98	1/8 X 1/8 X 0.71	18
6090/5Y	1.125	1.38	5/16-18UNC	0.79	1/4 X 1/4 X 1.18	0.625	0.98	3/16 X 3/16 X 0.75	24
6100/5Y	1.125	1.38	5/16-18UNC	0.79	1/4 X 1/4 X 1.18	0.625	0.98	3/16 X 3/16 X 0.75	29
610HY	1.125	1.38	5/16-18UNC	0.79	1/4 X 1/4 X 1.18	0.625	0.98	3/16 X 3/16 X 0.75	31
6110/5Y	1.250	1.77	5/16-18UNC	0.79	1/4 X 1/4 X 1.46	0.625	0.98	3/16 X 3/16 X 0.75	33
6120/5Y	1.500	2.17	5/16-18UNC	0.79	3/8 X 3/8 X 1.77	0.750	1.38	3/16 X 3/16 X 1.02	53
612HY	1.500	2.17	5/16-18UNC	0.79	3/8 X 3/8 X 1.77	0.750	1.38	3/16 X 3/16 X 1.02	55



Dimensions Foot Mount

Single Reduction CHH-6130/5Y ▶ 6275Y



***Shaft Tolerances**

Shaft Nominal Diameter (inches)	Tolerances (inches)
0.500 (1/2) through 0.625 (5/8)	+0.0000/-0.0004
0.750 (3/4) through 1.125 (1 1/8)	+0.0000/-0.0005
1.250 (1 1/4) through 1.875 (1 7/8)	+0.0000/-0.0006
2.000 (2) through 3.125 (3 1/8)	+0.0000/-0.0007
3.250 (3 1/4) through 4.625 (4 5/8)	+0.0000/-0.0009
4.750 (4 3/4) through 7.000 (7)	+0.0000/-0.0010

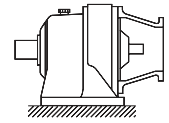
All dimensions are in inches

Model CHH	A	B	C	D	E	E1	F	F1	G	H	J	O	P	BW
6130/5Y	12.99	7.68	12.64	5.906	5.71	0.79	5.71	0.98	0.87	0.71	2.56	11.81	9.06	3.94
6140/5Y	12.99	7.68	13.43	5.906	5.71	0.79	5.71	0.98	0.87	0.71	2.56	11.81	9.06	4.72
614HY	12.99	7.68	13.43	6.299	5.71	0.79	5.71	0.98	0.87	0.71	2.76	12.20	9.06	4.72
6160/5Y	16.14	9.37	16.26	6.299	7.28	0.79	5.91	1.73	0.98	0.71	2.95	14.45	12.52	5.47
616HY	16.14	9.37	16.26	7.874	7.28	0.79	5.91	1.73	0.98	0.71	3.15	16.02	12.52	5.47
6170/5Y	16.93	13.19	18.78	7.874	7.48	0.98	10.83	1.18	1.18	0.87	3.15	16.89	14.25	4.92
6180/5Y	18.50	14.96	20.75	8.661	8.27	0.98	12.60	1.18	1.18	0.87	3.35	18.39	15.35	5.71
6190/5Y	20.87	17.32	24.41	9.843	9.45	0.98	14.96	1.18	1.38	1.02	3.54	21.22	17.76	6.69
6205Y	20.87	17.32	26.69	9.843	8.66	1.77	14.17	1.57	1.38	1.02	3.94	20.87	18.54	8.46
6215Y	22.83	18.70	27.87	10.433	9.45	1.97	15.55	1.57	1.57	1.02	4.33	22.64	19.96	8.27
6225Y	24.41	20.47	29.61	11.024	10.63	1.57	16.54	1.97	1.57	1.30	4.53	24.02	21.61	9.06
6235Y	26.38	22.05	33.03	11.811	11.42	1.77	18.11	1.97	1.77	1.30	4.72	26.26	23.27	10.24
6245Y	28.35	22.83	34.53	13.189	12.40	1.77	18.90	1.97	1.77	1.54	5.04	28.70	25.08	10.35
6255Y	30.71	24.80	40.94	14.764	13.19	2.17	20.47	2.17	1.97	1.54	5.51	32.09	27.68	12.60
6265Y	34.65	27.56	45.28	15.748	15.16	2.17	23.23	2.17	2.17	1.77	6.30	34.41	30.39	15.35
6275Y	45.67	40.94	57.56	21.260	20.67	2.17	16.54	3.94	2.36	1.77	7.87	45.71	38.82	19.09

Speed Reducers

Dimensions

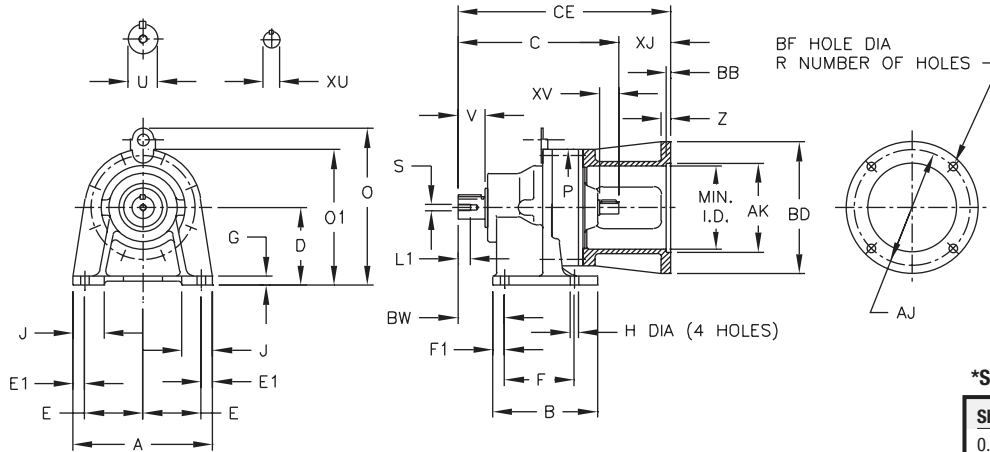
Model CHH	Low Speed Shaft					High Speed Shaft			Approx. Wt. (lb.)
	U*	V	S	L1	Key	XU*	XV	Key	
6130/5Y	1.875	2.76	3/8-16UNC	0.71	1/2 X 1/2 X 2.16	0.875	1.57	3/16 X 3/16 X 1.38	95
6140/5Y	1.875	3.54	3/8-16UNC	0.71	1/2 X 1/2 X 2.95	0.875	1.57	3/16 X 3/16 X 1.38	97
614HY	1.875	3.54	3/8-16UNC	0.71	1/2 X 1/2 X 2.95	0.875	1.57	3/16 X 3/16 X 1.38	101
6160/5Y	2.250	3.54	3/8-16UNC	0.71	1/2 X 1/2 X 2.95	1.125	1.77	1/4 X 1/4 X 1.77	185
616HY	2.250	3.54	3/8-16UNC	0.71	1/2 X 1/2 X 2.95	1.125	1.77	1/4 X 1/4 X 1.77	196
6170/5Y	2.750	3.54	1/2-13UNC	0.94	5/8 X 5/8 X 3.15	1.375	2.17	5/16 X 5/16 X 2.16	276
6180/5Y	3.125	4.33	1/2-13UNC	0.94	3/4 X 3/4 X 3.74	1.500	2.56	3/8 X 3/8 X 2.56	359
6190/5Y	3.625	5.31	3/4-10UNC	1.34	7/8 X 7/8 X 4.92	1.750	2.76	3/8 X 3/8 X 2.76	529
6205Y	3.875	6.50	3/4-10UNC	1.34	1 X 1 X 6.50	1.750	3.23	3/8 X 3/8 X 3.23	562
6215Y	4.250	6.50	3/4-10UNC	1.34	1 X 1 X 6.50	1.875	3.23	1/2 X 1/2 X 3.23	741
6225Y	4.625	6.50	3/4-10UNC	1.34	1-1/4 X 7/8 X 6.5	2.125	3.23	1/2 X 1/2 X 3.23	902
6235Y	5.000	7.87	1-8UNC	1.61	1-1/4 X 7/8 X 7.87	2.250	4.13	1/2 X 1/2 X 4.13	1109
6245Y	5.500	7.87	1-8UNC	1.61	1-1/4 X 7/8 X 7.87	2.500	4.13	5/8 X 5/8 X 4.13	1354
6255Y	6.250	9.45	1-1/4-7UNC	1.93	1-1/2 X 1 X 9.45	3.125	5.12	3/4 X 3/4 X 5.12	2110
6265Y	6.625	11.81	1-1/4-7UNC	1.93	1-3/4 X 1-1/4 X 11.8	3.125	5.12	3/4 X 3/4 X 5.12	2624
6275Y	7.000	13.00	1-1/4-7UNC	2.05	1-3/4 X 1-1/4 X 13	3.500	5.91	7/8 X 7/8 X 5.90	5424



Dimensions Foot Mount, C-Face

Single Reduction

CNHJ-6060/5Y ▶ 6090/5Y



***Shaft Tolerances**

Shaft Nominal Diameter (inches)	Tolerances (inches)
0.500 (1/2) through 0.625 (5/8)	+0.0000/-0.0004
0.750 (3/4) through 1.125 (1 1/8)	+0.0000/-0.0005
1.250 (1 1/4) through 1.875 (1 7/8)	+0.0000/-0.0006
2.000 (2) through 3.125 (3 1/8)	+0.0000/-0.0007
3.250 (3 1/4) through 4.625 (4 5/8)	+0.0000/-0.0009
4.750 (4 3/4) through 7.000 (7)	+0.0000/-0.0010

All dimensions are in inches

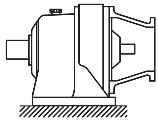
Model CNHJ	A	B	C	D	E	E1	F	F1	G	H	J	O1	O	P	BW
6060/5Y	5.67	3.31	5.71	3.150	2.36	0.47	2.36	0.47	0.39	0.35	1.38	5.31	-	4.33	1.61
6070/5Y	5.67	3.31	5.94	3.150	2.36	0.47	2.36	0.47	0.39	0.35	1.38	5.31	-	4.33	1.85
6080/5Y	5.67	3.90	7.05	3.543	2.36	0.47	2.95	0.47	0.51	0.35	1.46	6.18	-	5.28	2.05
6090/5Y	7.09	5.31	7.95	3.937	2.95	0.59	3.54	0.59	0.47	0.43	1.57	6.89	-	5.91	2.36

Speed Reducers

Dimensions

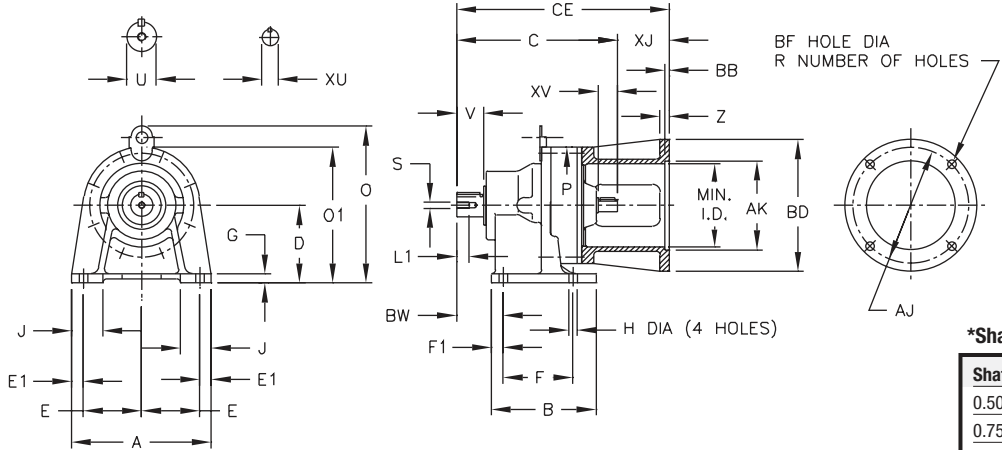
Model CNHJ	Low Speed Shaft					High Speed Shaft		
	U*	V	S	L1	Key	XU*	XV	Key
6060/5Y	0.500	0.98	10-32UNF	0.63	1/8 X 1/8 X 0.79	0.500	0.98	1/8 X 1/8 X 0.71
6070/5Y	0.750	1.18	12-28UNF	0.63	3/16 X 3/16 X 1.06	0.500	0.98	1/8 X 1/8 X 0.71
6080/5Y	0.875	1.38	12-28UNF	0.63	3/16 X 3/16 X 1.18	0.500	0.98	1/8 X 1/8 X 0.71
6090/5Y	1.125	1.38	5/16-18UNC	0.79	1/4 X 1/4 X 1.18	0.625	0.98	3/16 X 3/16 X 0.75

Model CNHJ	Motor Frame	AJ	AK	BD	BB	BF	R	CE	XJ	Z	Min. I.D.	Approx Wt. (lb)
6060/5Y	42C	3.75	3.000	4.33	-	0.28	4	7.49	1.78	0.47	2.44	9
	48C	3.75	3.000	4.33	-	0.28	4	7.87	2.16	0.47	2.44	9
	56C~145TC	5.88	4.500	6.69	-	0.43	4	8.27	2.56	0.47	3.15	11
6070/5Y	42C	3.75	3.000	4.33	-	0.28	4	7.72	1.78	0.47	2.44	9
	48C	3.75	3.000	4.33	-	0.28	4	8.10	2.16	0.47	2.44	9
	56C~145TC	5.88	4.500	6.69	-	0.43	4	8.50	2.56	0.47	3.15	11
6080/5Y	42C	3.75	3.000	4.33	-	0.28	4	8.79	1.74	0.39	2.48	22
	48C	3.75	3.000	4.33	-	0.28	4	9.17	2.12	0.39	2.48	22
	56C~145TC	5.88	4.500	6.69	-	0.43	4	9.63	2.58	0.47	3.07	23
6090/5Y	42C	3.75	3.000	4.33	-	0.28	4	9.73	1.78	0.47	2.44	29
	48C	3.75	3.000	4.33	-	0.28	4	10.11	2.16	0.47	2.44	30
	56C~145TC	5.88	4.500	6.69	-	0.43	4	10.58	2.63	0.47	4.21	32



Dimensions Foot Mount, C-Face

Single Reduction CNHJ-6100/5Y ▶ 612HY



*Shaft Tolerances

Shaft Nominal Diameter (inches)	Tolerances (inches)
0.500 (1/2) through 0.625 (5/8)	+0.0000/-0.0004
0.750 (3/4) through 1.125 (1 1/8)	+0.0000/-0.0005
1.250 (1 1/4) through 1.875 (1 7/8)	+0.0000/-0.0006
2.000 (2) through 3.125 (3 1/8)	+0.0000/-0.0007
3.250 (3 1/4) through 4.625 (4 5/8)	+0.0000/-0.0009
4.750 (4 3/4) through 7.000 (7)	+0.0000/-0.0010

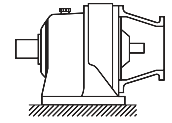
All dimensions are in inches

Model CNHJ	A	B	C	D	E	E1	F	F1	G	H	J	O1	O	P	BW
6100/5Y	7.09	5.31	8.19	3.937	2.95	0.59	3.54	0.59	0.47	0.43	1.57	-	8.15	5.91	2.36
610HY	7.09	5.31	8.19	4.724	2.95	0.59	3.54	0.59	0.47	0.43	1.77	-	8.94	5.91	2.36
6110/5Y	7.09	5.31	8.58	4.724	2.95	0.59	3.54	0.59	0.47	0.43	1.77	-	9.29	6.38	2.76
6120/5Y	9.06	6.10	10.20	4.724	3.74	0.79	4.53	0.79	0.59	0.55	2.17	-	10.12	8.03	3.23
612HY	9.06	6.10	10.20	5.512	3.74	0.79	4.53	0.79	0.59	0.55	2.36	-	10.91	8.03	3.23

Model CNHJ	Low Speed Shaft					High Speed Shaft		
	U*	V	S	L1	Key	XU*	XV	Key
6100/5Y	1.125	1.38	5/16-18UNC	0.79	1/4 X 1/4 X 1.18	0.625	0.98	3/16 X 3/16 X 0.75
610HY	1.125	1.38	5/16-18UNC	0.79	1/4 X 1/4 X 1.18	0.625	0.98	3/16 X 3/16 X 0.75
6110/5Y	1.250	1.77	5/16-18UNC	0.79	1/4 X 1/4 X 1.46	0.625	0.98	3/16 X 3/16 X 0.75
6120/5Y	1.500	2.17	5/16-18UNC	0.79	3/8 X 3/8 X 1.77	0.750	1.38	3/16 X 3/16 X 1.02
612HY	1.500	2.17	5/16-18UNC	0.79	3/8 X 3/8 X 1.77	0.750	1.38	3/16 X 3/16 X 1.02

Model CNHJ	Motor Frame	AJ	AK	BD	BB	BF	R	CE	XJ	Z	Min. I.D.	Approx Wt. (lb)
6100/5Y	48C	3.75	3.000	4.33	-	0.28	4	10.35	2.16	0.47	2.44	34
	56C~145TC	5.88	4.500	6.69	-	0.43	4	10.81	2.63	0.47	4.21	36
	182TC~184TC	7.25	8.500	8.98 ⁽¹⁾	0.22	0.55	4	11.85	3.67	0.47	5.43	40
610HY	56C~145TC	5.88	4.500	6.69	-	0.43	4	10.81	2.63	0.47	4.21	38
	182TC~184TC	7.25	8.500	8.98	0.22	0.55	4	11.85	3.67	0.47	5.43	42
6110/5Y	56C~145TC	5.88	4.500	6.69	-	0.43	4	11.20	2.62	0.47	3.94	40
	182TC~184TC	7.25	8.500	8.98	0.22	0.55	4	12.24	3.66	0.59	3.94	45
6120/5Y	56C~145TC	5.88	4.500	6.69	-	0.43	4	12.82	2.63	0.47	4.21	63
	182TC~184TC	7.25	8.500	8.98	0.22	0.55	4	13.57	3.37	0.47	5.43	66
612HY	56C~145TC	5.88	4.500	6.69	-	0.43	4	12.82	2.63	0.47	4.21	65
	182TC~184TC	7.25	8.500	8.98	0.22	0.55	4	13.57	3.37	0.47	5.43	68
	213TC~215TC	7.25	8.500	8.98	0.22	0.55	4	14.09	4.22	1.47	5.43	77

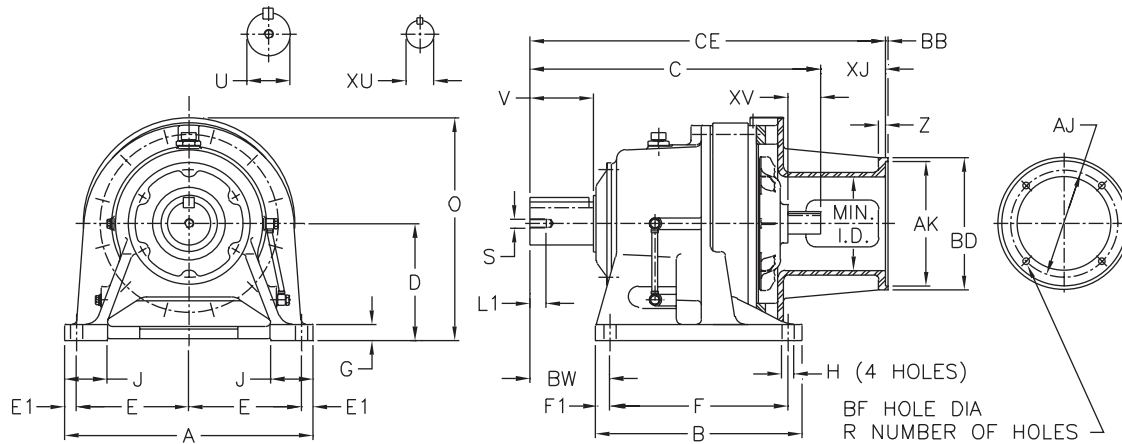
Note: [1] Please consult factory for CNHJ-6105-Motor Frame 182TC. Center height "D" for 6105 is less than half of "BD" dimension..



Dimensions Foot Mount, C-Face

Single Reduction

CHHJ-6130/5Y ▶ 6215Y



***Shaft Tolerances**

Shaft Nominal Diameter (inches)	Tolerances (inches)
0.500 (1/2) through 0.625 (5/8)	+0.0000/-0.0004
0.750 (3/4) through 1.125 (1 1/8)	+0.0000/-0.0005
1.250 (1 1/4) through 1.875 (1 7/8)	+0.0000/-0.0006
2.000 (2) through 3.125 (3 1/8)	+0.0000/-0.0007
3.250 (3 1/4) through 4.625 (4 5/8)	+0.0000/-0.0009
4.750 (4 3/4) through 7.000 (7)	+0.0000/-0.0010

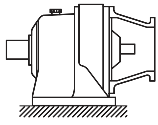
All dimensions are in inches

Speed Reducers

Dimensions

Model CHHJ	A	B	C	D	E	E1	F	F1	G	H	J	O	P	BW
6130/5Y	12.99	7.68	12.64	5.906	5.71	0.79	5.71	0.98	0.87	0.71	2.56	11.81	9.06	3.94
6140/5Y	12.99	7.68	13.43	5.906	5.71	0.79	5.71	0.98	0.87	0.71	2.56	11.81	9.06	4.72
614HY	12.99	7.68	13.43	6.299	5.71	0.79	5.71	0.98	0.87	0.71	2.76	12.20	9.06	4.72
6160/5Y	16.14	9.37	16.26	6.299	7.28	0.79	5.91	1.73	0.98	0.71	2.95	14.45	12.52	5.47
616HY	16.14	9.37	16.26	7.874	7.28	0.79	5.91	1.73	0.98	0.71	3.15	16.02	12.52	5.47
6170/5Y	16.93	13.19	18.78	7.874	7.48	0.98	10.83	1.18	1.18	0.87	3.15	16.89	14.25	4.92
6180/5Y	18.50	14.96	20.75	8.661	8.27	0.98	12.60	1.18	1.18	0.87	3.35	16.39	15.35	5.71
6190/5Y	20.87	17.32	24.41	9.843	9.45	0.98	14.96	1.18	1.38	1.02	3.54	21.22	17.76	6.69
6205Y	20.87	17.32	26.69	9.843	8.66	1.77	14.17	1.57	1.38	1.02	3.94	20.87	18.54	8.46
6215Y	22.83	18.70	27.87	10.433	9.45	1.97	15.55	1.57	1.57	1.02	4.33	22.64	19.96	8.27

Model CHHJ	Low Speed Shaft					High Speed Shaft		
	U*	V	S	L1	Key	XU*	XV	Key
6130/5Y	1.875	2.76	3/8-16UNC	0.71	1/2 X 1/2 X 2.16	0.875	1.57	3/16 X 3/16 X 1.38
6140/5Y	1.875	3.54	3/8-16UNC	0.71	1/2 X 1/2 X 2.95	0.875	1.57	3/16 X 3/16 X 1.38
614HY	1.875	3.54	3/8-16UNC	0.71	1/2 X 1/2 X 2.95	0.875	1.57	3/16 X 3/16 X 1.38
6160/5Y	2.250	3.54	3/8-16UNC	0.71	1/2 X 1/2 X 2.95	1.125	1.77	1/4 X 1/4 X 1.77
616HY	2.250	3.54	3/8-16UNC	0.71	1/2 X 1/2 X 2.95	1.125	1.77	1/4 X 1/4 X 1.77
6170/5Y	2.750	3.54	1/2-13UNC	0.94	5/8 X 5/8 X 3.15	1.375	2.17	5/16 X 5/16 X 2.16
6180/5Y	3.125	4.33	1/2-13UNC	0.94	3/4 X 3/4 X 3.74	1.500	2.56	3/8 X 3/8 X 2.56
6190/5Y	3.625	5.31	3/4-10UNC	1.34	7/8 X 7/8 X 4.92	1.750	2.76	3/8 X 3/8 X 2.76
6205Y	3.875	6.50	3/4-10UNC	1.34	1 X 1 X 6.50	1.750	3.23	3/8 X 3/8 X 3.23
6215Y	4.250	6.50	3/4-10UNC	1.34	1 X 1 X 6.50	1.875	3.23	1/2 X 1/2 X 3.23



Dimensions Foot Mount, C-Face

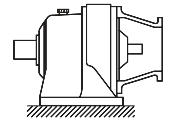
Single Reduction CHHJ-6130/5Y ▶ 6215Y (cont.)

All dimensions are in inches

Model CHHJ	Motor Frame	AJ	AK	BD	BB	BF	R	CE	XJ	Z	Min. I.D.	Approx Wt. (lb)
6130/5Y	56C~145TC	5.88	4.500	6.69	-	0.43	4	15.26	2.63	0.47	4.21	107
	182TC~184TC	7.25	8.500	8.98	0.22	0.54	4	16.01	3.37	0.47	5.43	111
	213TC~215TC	7.25	8.500	8.98	0.22	0.54	4	16.64	4.00	1.10	5.43	118
	254TC~256TC	7.25	8.500	8.98	0.22	0.55	4	17.57	4.93	0.57	5.08	119
6140/5Y	56C~145TC	5.88	4.500	6.69	-	0.43	4	16.05	2.63	0.47	4.21	109
	182TC~184TC	7.25	8.500	8.98	0.22	0.54	4	16.80	3.37	0.47	5.43	113
	213TC~215TC	7.25	8.500	8.98	0.22	0.54	4	17.43	4.00	1.10	5.43	120
	254TC~256TC	7.25	8.500	8.98	0.22	0.55	4	18.35	4.93	0.57	5.08	121
614HY	56C~145TC	5.88	4.500	6.69	-	0.43	4	16.05	2.63	0.47	4.21	114
	182TC~184TC	7.25	8.500	8.98	0.22	0.54	4	16.80	3.37	0.47	5.43	117
	213TC~215TC	7.25	8.500	8.98	0.22	0.54	4	17.43	4.00	1.10	5.43	125
	254TC~256TC	7.25	8.500	8.98	0.22	0.55	4	18.35	4.93	0.57	5.08	126
6160/5Y	56C~145TC	5.88	4.500	6.69	-	0.43	4	18.89	2.63	0.47	4.21	227
	182TC~184TC	7.25	8.500	8.98	0.22	0.55	4	19.63	3.37	0.57	5.71	231
	213TC~215TC	7.25	8.500	8.98	0.22	0.55	4	20.26	4.00	1.20	5.71	239
	254TC~256TC	7.25	8.500	8.98	0.22	0.55	4	21.01	4.75	0.57	5.71	234
616HY	56C~145TC	5.88	4.500	6.69	-	0.43	4	18.89	2.63	0.47	4.21	238
	182TC~184TC	7.25	8.500	8.98	0.22	0.55	4	19.63	3.37	0.57	5.71	242
	213TC~215TC	7.25	8.500	8.98	0.22	0.55	4	20.26	4.00	1.20	5.71	250
	254TC~256TC	7.25	8.500	8.98	0.22	0.55	4	21.01	4.75	0.57	5.71	245
	284TC~286TC	9.00	10.500	11.10	0.22	0.55	4	21.70	5.44	0.57	6.50	238
6170/5Y	182TC~184TC	7.25	8.500	8.98	0.22	0.55	4	22.16	3.38	0.57	5.71	314
	213TC~215TC	7.25	8.500	8.98	0.22	0.55	4	22.78	4.00	1.20	5.71	321
	254TC~256TC	7.25	8.500	8.98	0.22	0.55	4	23.53	4.75	0.57	5.71	316
	284TC~286TC	9.00	10.500	11.10	0.22	0.55	4	24.22	5.44	0.57	7.87	327
	324TC~326TC	11.00	12.500	13.86	0.22	0.71	4	24.78	6.00	0.57	7.87	347
6180/5Y	182TC~184TC	7.25	8.500	8.98	0.22	0.55	4	24.25	3.50	0.57	5.71	407
	213TC~215TC	7.25	8.500	8.98	0.22	0.55	4	24.75	4.00	1.07	5.71	413
	254TC~256TC	7.25	8.500	8.98	0.22	0.55	4	25.50	4.75	0.57	5.71	421
	284TC~286TC	9.00	10.500	11.10	0.22	0.55	4	26.19	5.44	0.57	7.87	416
	324TC~326TC	11.00	12.500	13.86	0.22	0.71	4	27.25	6.50	0.57	7.87	420
6190/5Y	213TC~215TC	7.25	8.500	8.98	0.22	0.55	4	28.54	4.13	1.29	5.71	599
	254TC~256TC	7.25	8.500	8.98	0.22	0.55	4	29.16	4.75	0.57	5.71	592
	284TC~286TC	9.00	10.500	11.10	0.22	0.55	4	29.85	5.44	0.57	7.87	601
	324TC~326TC	11.00	12.500	13.86	0.22	0.71	4	30.91	6.50	0.57	7.87	626
6205Y	213TC~215TC	7.25	8.500	9.84	0.22	0.55	4	30.79	4.10	0.57	5.91	653
	254TC~256TC	7.25	8.500	9.84	0.22	0.55	4	31.43	4.73	0.57	5.91	653
	284TC~286TC	9.00	10.500	11.10	0.22	0.55	4	32.06	5.36	0.57	6.89	659
	324TC~326TC	11.00	12.500	13.86	0.22	0.71	4	33.17	6.48	0.57	8.27	684
	364TC~365TC	11.00	12.500	13.86	0.22	0.71	8	33.92	7.22	0.57	8.27	682
6215Y	364TSC~365TSC	11.00	12.500	13.86	0.22	0.71	8	31.79	5.10	0.57	8.27	675
	254TC~256TC	7.25	8.500	9.84	0.22	0.55	4	32.63	4.75	0.57	5.91	850
	284TC~286TC	9.00	10.500	11.10	0.22	0.55	4	33.26	5.38	0.57	6.89	855
	324TC~326TC	11.00	12.500	13.86	0.22	0.71	4	34.37	6.50	0.57	8.27	880
	364TC~365TC	11.00	12.500	13.86	0.22	0.71	8	35.12	7.24	0.57	8.46	873
	364TSC~365TSC	11.00	12.500	13.86	0.22	0.71	8	32.99	5.12	0.57	8.46	869

Speed Reducers

Dimensions

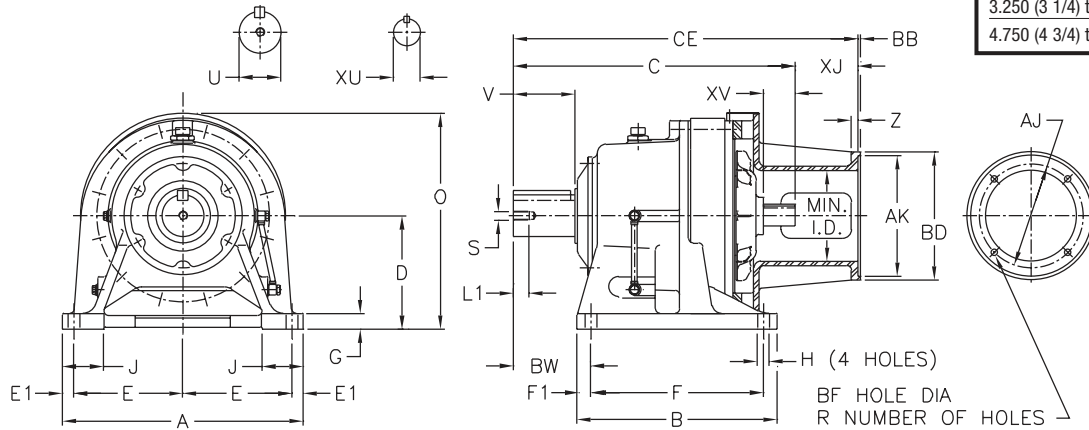


Dimensions Foot Mount, C-Face

Single Reduction CHHJ-6225Y ▶ 6265Y

***Shaft Tolerances**

Shaft Nominal Diameter (inches)	Tolerances (inches)
0.500 (1/2) through 0.625 (5/8)	+0.0000/-0.0004
0.750 (3/4) through 1.125 (1 1/8)	+0.0000/-0.0005
1.250 (1 1/4) through 1.875 (1 7/8)	+0.0000/-0.0006
2.000 (2) through 3.125 (3 1/8)	+0.0000/-0.0007
3.250 (3 1/4) through 4.625 (4 5/8)	+0.0000/-0.0009
4.750 (4 3/4) through 7.000 (7)	+0.0000/-0.0010



All dimensions are in inches

Model CHHJ	A	B	C	D	E	E1	F	F1	G	H	J	O	P	BW
6225Y	24.41	20.47	29.61	11.024	10.63	1.57	16.54	1.97	1.57	1.30	4.53	24.02	21.61	9.06
6235Y	26.38	22.05	33.03	11.811	11.42	1.77	18.11	1.97	1.77	1.30	4.72	26.26	23.27	10.24
6245Y	28.35	22.83	34.53	13.189	12.40	1.77	18.90	1.97	1.77	1.54	5.04	28.70	25.08	10.35
6255Y	30.71	24.80	40.94	14.764	13.19	2.17	20.47	2.17	1.97	1.54	5.51	32.09	27.68	12.60
6265Y	34.65	27.56	45.28	15.748	15.16	2.17	23.23	2.17	2.17	1.77	6.30	34.41	30.39	15.35

Model CHHJ	Low Speed Shaft					High Speed Shaft		
	U*	V	S	L1	Key	XU*	XV	Key
6225Y	4.625	6.50	3/4-10UNC	1.34	1-1/4 X 7/8 X 6.5	2.125	3.23	1/2 X 1/2 X 3.23
6235Y	5.000	7.87	1-8UNC	1.61	1-1/4 X 7/8 X 7.87	2.250	4.13	1/2 X 1/2 X 4.13
6245Y	5.500	7.87	1-8UNC	1.61	1-1/4 X 7/8 X 7.87	2.500	4.13	5/8 X 5/8 X 4.13
6255Y	6.250	9.45	1-1/4-7UNC	1.93	1-1/2 X 1 X 9.45	3.125	5.12	3/4 X 3/4 X 5.12
6265Y	6.625	11.81	1-1/4-7UNC	1.93	1-3/4 X 1-1/4 X 11.8	3.125	5.12	3/4 X 3/4 X 5.12

Model CHHJ	Motor Frame	AJ	AK	BD	BB	BF	R	CE	XJ	Z	Min. I.D.	Approx Wt. (lb)
6225Y	254TC~256TC	7.25	8.500	11.10	0.22	0.55	4	34.37	4.76	0.57	5.51	1043
	284TC~286TC	9.00	10.500	11.10	0.22	0.55	4	35.00	5.39	0.57	6.30	1043
	324TC~326TC	11.00	12.500	13.86	0.22	0.71	4	36.11	6.50	0.57	8.46	1053
	364TC~365TC	11.00	12.500	13.86	0.22	0.71	8	36.85	7.24	0.57	8.46	1056
	364TSC~365TSC	11.00	12.500	13.86	0.22	0.71	8	34.74	5.14	0.57	8.46	1048
	404TC~405TC	11.00	12.500	13.86	0.22	0.71	8	38.23	8.63	0.57	8.46	1063
6235Y	404TSC~405TSC	11.00	12.500	13.86	0.22	0.71	8	35.24	5.63	0.57	8.46	1050
	364TC~365TC	11.00	12.500	13.86	0.22	0.71	4	39.57	6.54	0.57	8.66	1281
6245Y	404TC~405TC	11.00	12.500	13.86	0.22	0.71	8	41.69	8.66	0.57	8.46	1303
	324TC~326TC	11.00	12.500	14.57	0.22	0.71	4	41.06	6.54	0.57	8.27	1599
6255Y	364TC~365TC	11.00	12.500	13.86	0.22	0.71	8	41.77	7.24	0.57	8.46	1591
	404TC~405TC	11.00	12.500	13.86	0.22	0.71	8	43.15	8.63	0.57	8.46	1585
6265Y	364TC~365TC	11.00	12.500	13.86	0.22	0.71	8	48.20	7.25	0.57	9.45	2392
	404TC~405TC	11.00	12.500	13.86	0.22	0.71	8	49.57	8.63	0.57	9.45	2422
6265Y	364TC~365TC	11.00	12.500	15.75	0.22	0.71	8	52.52	7.24	0.57	9.45	2971
	404TC~405TC	11.00	12.500	15.75	0.22	0.71	8	53.91	8.63	0.57	9.45	3002

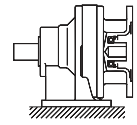
Speed Reducers

Dimensions

This page intentionally left blank.

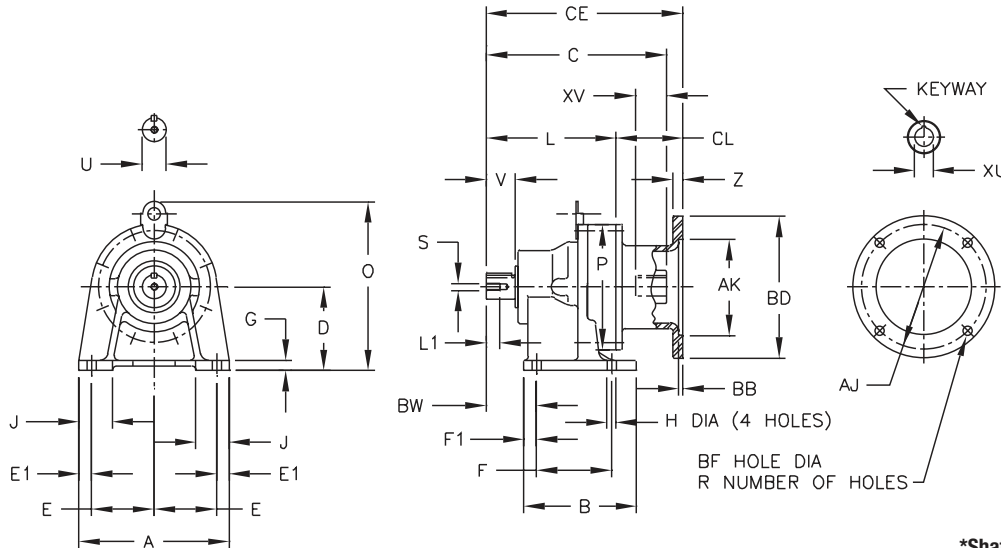
Speed Reducers

Dimensions



Dimensions Foot Mount, Hollow Input

Single Reduction CNHX-6065Y ▶ 6115Y



***Shaft Tolerances**

Shaft Nominal Diameter (inches)	Tolerances (inches)
0.500 (1/2) through 0.625 (5/8)	+0.0000/-0.0004
0.750 (3/4) through 1.125 (1 1/8)	+0.0000/-0.0005
1.250 (1 1/4) through 1.875 (1 7/8)	+0.0000/-0.0006
2.000 (2) through 3.125 (3 1/8)	+0.0000/-0.0007

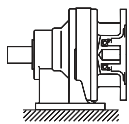
All dimensions are in inches

Model CNHX	A	B	L	D	E	E1	F	F1	G	H	J	O	P	BW
6060/5Y	5.67	3.31	3.62	3.150	2.36	0.47	2.36	0.47	0.39	0.35	1.38	5.31	4.33	1.61
6070/5Y	5.67	3.31	3.86	3.150	2.36	0.47	2.36	0.47	0.39	0.35	1.38	5.31	4.33	1.85
6080/5Y	5.67	3.90	5.08	3.543	2.36	0.47	2.95	0.47	0.51	0.35	1.46	6.18	5.28	2.05
6090/5Y	7.09	5.31	5.59	3.937	2.95	0.59	3.54	0.59	0.47	0.43	1.57	6.89	5.91	2.36
6100/5Y	7.09	5.31	6.14	3.937	2.95	0.59	3.54	0.59	0.47	0.43	1.57	8.15	5.91	2.36
610HY	7.09	5.31	6.14	4.724	2.95	0.59	3.54	0.59	0.47	0.43	1.77	8.94	5.91	2.36
6110/5Y	7.09	5.31	6.69	4.724	2.95	0.59	3.54	0.54	0.47	0.43	1.77	9.29	6.38	2.76

Model CNHX	Low Speed Shaft				
	U*	V	S	L1	Key
6060/5Y	0.500	0.98	10-32UNF	0.63	1/8 X 1/8 X .79
6070/5Y	0.750	1.18	12-28UNF	0.63	3/16 X 3/16 X 1.06
6080/5Y	0.875	1.38	12-28UNF	0.63	3/16 X 3/16 X 1.18
6090/5Y	1.125	1.38	5/16-18UNC	0.79	1/4 X 1/4 X 1.18
6100/5Y	1.125	1.38	5/16-18UNC	0.79	1/4 X 1/4 X 1.18
610HY	1.125	1.38	5/16-18UNC	0.79	1/4 X 1/4 X 1.18
6110/5Y	1.250	1.77	5/16-18UNC	0.79	1/4 X 1/4 X 1.46

Speed Reducers

Dimensions



Dimensions Foot Mount, Hollow Input

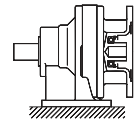
Single Reduction CNHX-6065Y ▶ 6115Y (cont.)

All dimensions are in inches

Model CNHX	Motor Frame	AJ	AK	BD	BB	BF	R	CE	CL	C	Z	High Speed Shaft			Approx Wt. (lb)	
												XU	XV	Keyway		
6060/5Y	56C	5.88	4.50	6.69 ^[1]	0.20	0.43	4	6.61	2.99	5.59	0.47	0.625	+0.0007 -0.0000	1.10	3/16 X 3/32	10
6070/5Y	56C	5.88	4.50	6.69 ^[1]	0.20	0.43	4	6.85	2.99	5.83	0.47	0.625	+0.0007 -0.0000	1.10	3/16 x 3/32	10
6080/5Y	56C	5.88	4.50	6.69	0.20	0.43	4	8.19	3.11	7.54	0.47	0.625	+0.0007 -0.0000	1.56	3/16 x 3/32	23
	143TC-145TC	5.88	4.50	6.69	0.20	0.43	4	8.19	3.11	7.54	0.47	0.875	+0.0008 -0.0000	1.56	3/16 x 3/32	23
6090/5Y	56C	5.88	4.50	6.69	0.20	0.43	4	8.94	3.35	7.91	0.47	0.625	+0.0007 -0.0000	1.18	3/16 x 3/32	29
	143TC-145TC	5.88	4.50	6.69	0.20	0.43	4	8.94	3.35	8.31	0.47	0.875	+0.0008 -0.0000	1.57	3/16 x 3/32	29
6100/5Y	56C	5.88	4.50	6.69	0.20	0.43	4	9.29	3.15	8.23	0.47	0.625	+0.0007 -0.0000	1.18	3/16 x 3/32	33
	143TC-145TC	5.88	4.50	6.69	0.20	0.43	4	9.29	3.15	8.70	0.47	0.875	+0.0008 -0.0000	1.65	3/16 x 3/32	33
610HY	56C	5.88	4.50	6.69	0.20	0.43	4	9.29	3.15	8.23	0.47	0.625	+0.0007 -0.0000	1.18	3/16 x 3/32	35
	143TC-145TC	5.88	4.50	6.69	0.20	0.43	4	9.29	3.15	8.70	0.47	0.875	+0.0008 -0.0000	1.65	3/16 x 3/32	35
6110/5Y	56C	5.88	4.50	6.69	0.20	0.43	4	9.96	3.27	9.31	0.47	0.625	+0.0007 -0.0000	1.56	3/16 x 3/32	38
	143TC-145TC	5.88	4.50	6.69	0.20	0.43	4	9.96	3.27	9.31	0.47	0.875	+0.0008 -0.0000	1.56	3/16 x 3/32	38
	182TC-184TC	7.25	8.50	8.98	0.22	0.59	4	10.71	4.02	9.61	0.69	1.125	+0.0008 -0.0000	1.85	1/4 x 1/8	44

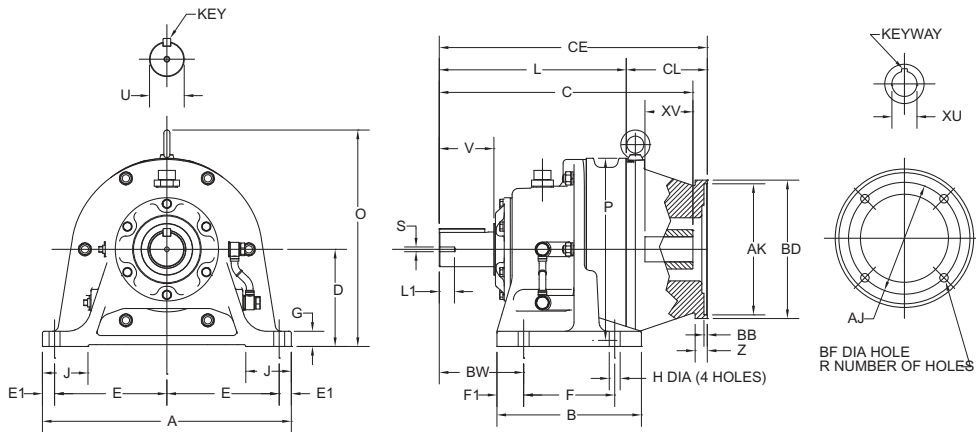
Speed Reducers
Dimensions

Note: [1] Center height "D" for 6065Y and 6075Y is less than the radius of motor flange diameter "BD" (frame 56C).



Dimensions Foot Mount, Hollow Input

Single Reduction CNHX-6120Y ▶ 616HY



***Shaft Tolerances**

Shaft Nominal Diameter (inches)	Tolerances (inches)
0.500 (1/2) through 0.625 (5/8)	+0.0000/-0.0004
0.750 (3/4) through 1.125 (1 1/8)	+0.0000/-0.0005
1.250 (1 1/4) through 1.875 (1 7/8)	+0.0000/-0.0006
2.000 (2) through 3.125 (3 1/8)	+0.0000/-0.0007

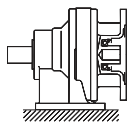
All dimensions are in inches

Model CNHX	A	B	L	D	E	E1	F	F1	G	H	J	O	P	BW
6120/5Y	9.06	6.10	7.32	4.724	3.74	0.79	4.53	0.79	0.59	0.55	2.17	10.12	8.03	3.23
612HY	9.06	6.10	7.32	5.512	3.74	0.79	4.53	0.79	0.59	0.55	2.36	10.91	8.03	3.23
6130/5Y	12.99	7.68	9.43	5.906	5.71	0.79	5.71	0.98	0.87	0.71	2.56	11.81	9.06	3.94
6140/5Y	12.99	7.68	10.21	5.906	5.71	0.79	5.71	0.98	0.87	0.71	2.56	11.81	9.06	4.72
614HY	12.99	7.68	10.21	6.299	5.71	0.79	5.71	0.98	0.87	0.71	2.76	12.20	9.06	4.72
6160/5Y	16.14	9.37	12.12	6.299	7.28	0.79	5.91	1.73	0.98	0.71	2.95	14.45	11.81	5.47
616HY	16.14	9.37	12.12	7.874	7.28	0.79	5.91	1.73	0.98	0.71	3.15	16.02	11.81	5.47

Model CNHX	Low Speed Shaft				
	U*	V	S	L1	Key
6120/5Y	1.500	2.17	5/16-18UNC	0.79	3/8 X 3/8 X 1.77
612HY	1.500	2.17	5/16-18UNC	0.79	3/8 X 3/8 X 1.77
6130/5Y	1.875	2.76	3/8-16UNC	0.71	1/2 X 1/2 X 2.16
6140/5Y	1.875	3.54	3/8-16UNC	0.71	1/2 X 1/2 X 2.95
614HY	1.875	3.54	3/8-16UNC	0.71	1/2 X 1/2 X 2.95
6160/5Y	2.250	3.54	3/8-16UNC	0.71	1/2 X 1/2 X 2.95
616HY	2.250	3.54	3/8-16UNC	0.71	1/2 X 1/2 X 2.95

Model CNHX	Motor Frame	AJ	AK	BD	BB	BF	R	CE	CL	C	Z	High Speed Shaft			Approx Wt. (lb)	
												XU	XV	Keyway		
6120/5Y	56C	5.88	4.50	6.69	0.22	0.43	4	11.30	3.98	10.25	0.47	0.625	+0.0007 -0.0000	1.18	3/16 x 3/32	61
	143TC-145TC	5.88	4.50	6.69	0.22	0.43	4	11.30	3.98	10.43	0.47	0.875	+0.0016 +0.0008	1.50	3/16 x 3/32	61
	182TC-184TC	7.25	8.50	8.98	0.22	0.55	4	12.44	5.12	11.55	0.67	1.125	+0.0016 +0.0008	2.48	1/4 x 1/8	64
	213TC-215TC	7.25	8.50	8.98	0.22	0.55	4	12.44	5.12	11.65	0.67	1.375	+0.0020 +0.0010	2.64	5/16 x 5/32	64
612HY	56C	5.88	4.50	6.69	0.22	0.43	4	11.30	3.98	10.25	0.47	0.625	+0.0007 -0.0000	1.18	3/16 x 3/32	63
	143TC-145TC	5.88	4.50	6.69	0.22	0.43	4	11.30	3.98	10.43	0.47	0.875	+0.0016 +0.0008	1.50	3/16 x 3/32	63
	182TC-184TC	7.25	8.50	8.98	0.22	0.55	4	12.44	5.12	11.55	0.67	1.125	+0.0016 +0.0008	2.48	1/4 x 1/8	66
	213TC-215TC	7.25	8.50	8.98	0.22	0.55	4	12.44	5.12	11.65	0.67	1.375	+0.0020 +0.0010	2.64	5/16 x 5/32	66

Note: [1] Center height "D" for 6065Y and 6075Y is less than the radius of motor flange diameter "BD" (frame 56C).



Dimensions Foot Mount, Hollow Input

Single Reduction CNHX-6120Y ▶ 616HY (cont.)

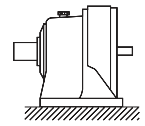
All dimensions are in inches

Model CNHX	Motor Frame	AJ	AK	BD	BB	BF	R	CE	CL	C	Z	High Speed Shaft			Approx Wt. (lb)
												XU	XV	Keyway	
6130/5Y	143TC-145TC	5.88	4.50	6.69	0.20	0.43	4	13.51	4.06	12.96	0.47	0.875 +0.0008 -0.0000	1.61	3/16 x 3/32	104
	182TC-184TC	7.25	8.50	9.00	0.22	0.55	4	15.42	5.96	14.42	0.67	1.125 +0.0016 +0.0008	1.91	1/4 x 1/8	112
	213TC-215TC	7.25	8.50	9.00	0.22	0.55	4	15.42	5.96	14.06	0.67	1.375 +0.0020 +0.0010	2.68	5/16 x 5/32	111
	254TC-256TC	7.25	8.50	9.00	0.22	0.55	4	15.42	5.96	14.38	0.67	1.625 +0.0020 +0.0010	2.99	3/8 x 3/16	112
6140/5Y	143TC-145TC	5.88	4.50	6.69	0.20	0.43	4	14.30	4.06	13.75	0.47	0.875 +0.0008 -0.0000	1.61	3/16 x 3/32	106
	182TC-184TC	7.25	8.50	9.00	0.22	0.55	4	16.21	5.96	15.20	0.67	1.125 +0.0016 +0.0008	1.91	1/4 x 1/8	114
	213TC-215TC	7.25	8.50	9.00	0.22	0.55	4	16.21	5.96	14.85	0.67	1.375 +0.0020 +0.0010	2.68	5/16 x 5/32	113
	254TC-256TC	7.25	8.50	9.00	0.22	0.55	4	16.21	5.96	15.16	0.67	1.625 +0.0020 +0.0010	2.99	3/8 x 3/16	114
614HY	143TC-145TC	5.88	4.50	6.69	0.20	0.43	4	14.30	4.06	13.75	0.47	0.875 +0.0008 -0.0000	1.61	3/16 x 3/32	110
	182TC-184TC	7.25	8.50	9.00	0.22	0.55	4	16.21	5.96	15.20	0.67	1.125 +0.0016 +0.0008	1.91	1/4 x 1/8	118
	213TC-215TC	7.25	8.50	9.00	0.22	0.55	4	16.21	5.96	14.85	0.67	1.375 +0.0020 +0.0010	2.68	5/16 x 5/32	117
	254TC-256TC	7.25	8.50	9.00	0.22	0.55	4	16.21	5.96	15.16	0.67	1.625 +0.0020 +0.0010	2.99	3/8 x 3/16	118
6160/5Y	182TC-184TC	7.25	8.50	8.98	0.22	0.55	4	17.38	5.28	16.45	0.79	1.125 +0.0016 +0.0008	2.01	1/4 x 1/8	191
	213TC-215TC	7.25	8.50	8.98	0.22	0.55	4	17.38	5.26	16.45	0.79	1.375 +0.0020 +0.0010	2.48	5/16 x 5/32	194
	254TC-256TC	7.25	8.50	8.98	0.22	0.55	4	17.38	5.26	16.45	0.79	1.625 +0.0020 +0.0010	3.11	3/8 x 3/16	193
616HY	182TC-184TC	7.25	8.50	8.98	0.22	0.55	4	17.38	5.28	16.45	0.79	1.125 +0.0016 +0.0008	2.01	1/4 x 1/8	202
	213TC-215TC	7.25	8.50	8.98	0.22	0.55	4	17.38	5.26	16.45	0.79	1.375 +0.0020 +0.0010	2.48	5/16 x 5/32	205
	254TC-256TC	7.25	8.50	8.98	0.22	0.55	4	17.38	5.26	16.45	0.79	1.625 +0.0020 +0.0010	3.11	3/8 x 3/16	204

Speed Reducers

Dimensions

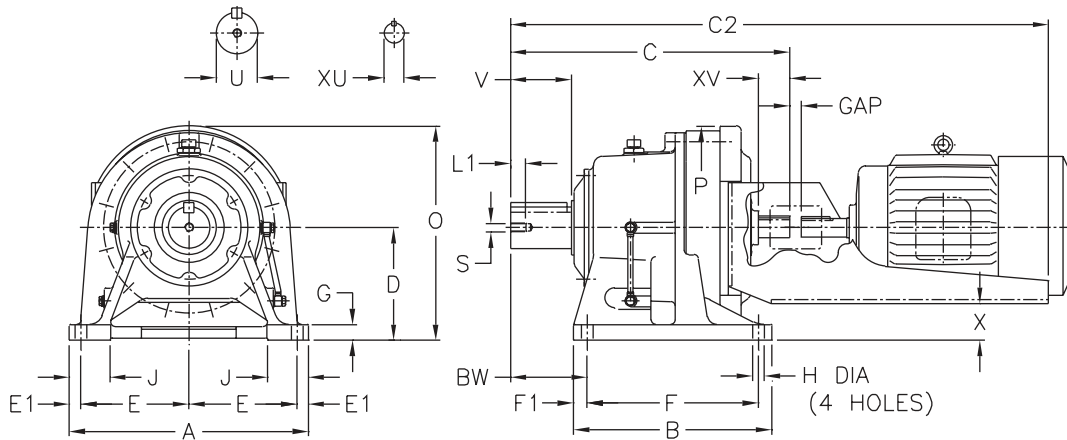
Note: [1] Center height "D" for 6065Y and 6075Y is less than the radius of motor flange diameter "BD" (frame 56C).



Dimensions Foot Mount, Shovel Base

Single Reduction

CNH-6120/5Y ▶ CHH-6190/5Y-SB



***Shaft Tolerances**

Shaft Nominal Diameter (inches)	Tolerances (inches)
0.500 (1/2) through 0.625 (5/8)	+0.0000/-0.0004
0.750 (3/4) through 1.125 (1 1/8)	+0.0000/-0.0005
1.250 (1 1/4) through 1.875 (1 7/8)	+0.0000/-0.0006
2.000 (2) through 3.125 (3 1/8)	+0.0000/-0.0007
3.250 (3 1/4) through 4.625 (4 5/8)	+0.0000/-0.0009
4.750 (4 3/4) through 7.000 (7)	+0.0000/-0.0010

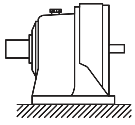
All dimensions are in inches

Model CNH, CHH	A	B	C	D	E	E1	F	F1	G	H	J	O	P	BW
6120/5Y-SB	9.06	6.10	10.20	4.724	3.74	0.79	4.53	0.79	0.59	0.55	2.17	10.12	8.03	3.23
612HY-SB	9.06	6.10	10.20	5.512	3.74	0.79	4.53	0.79	0.59	0.55	2.36	10.91	8.03	3.23
6130/5Y-SB	12.99	7.68	12.64	5.906	5.71	0.79	5.71	0.98	0.87	0.71	2.56	11.81	9.06	3.94
6140/5Y-SB	12.99	7.68	13.43	5.906	5.71	0.79	5.71	0.98	0.87	0.71	2.56	11.81	9.06	4.72
614HY-SB	12.99	7.68	13.43	6.299	5.71	0.79	5.71	0.98	0.87	0.71	2.76	12.20	9.06	4.72
6160/5Y-SB	16.14	9.37	16.26	6.299	7.28	0.79	5.91	1.73	0.98	0.71	2.95	14.45	12.52	5.47
616HY-SB	16.14	9.37	16.26	7.874	7.28	0.79	5.91	1.73	0.98	0.71	3.15	16.02	12.52	5.47
6170/5Y-SB	16.93	13.19	18.78	7.874	7.48	0.98	10.83	1.18	1.18	0.87	3.15	16.89	14.25	4.92
6180/5Y-SB	18.50	14.96	20.75	8.661	8.27	0.98	12.60	1.18	1.18	0.87	3.35	18.39	15.35	5.71
6190/5Y-SB	20.87	17.32	24.41	9.843	9.45	0.98	14.96	1.18	1.38	1.02	3.54	21.22	17.76	6.69

Speed Reducers

Dimensions

Model CNH, CHH	Low Speed Shaft					High Speed Shaft		
	U*	V	S	L1	Key	XU*	XV	Key
6120/5Y-SB	1.500	2.17	5/16-18UNC	0.79	3/8 X 3/8 X 1.77	0.750	1.38	3/16 X 3/16 X 1.02
612HY-SB	1.500	2.17	5/16-18UNC	0.79	3/8 X 3/8 X 1.77	0.750	1.38	3/16 X 3/16 X 1.02
6130/5Y-SB	1.875	2.76	3/8-16UNC	0.71	1/2 X 1/2 X 2.16	0.875	1.57	3/16 X 3/16 X 1.38
6140/5Y-SB	1.875	3.54	3/8-16UNC	0.71	1/2 X 1/2 X 2.95	0.875	1.57	3/16 X 3/16 X 1.38
614HY-SB	1.875	3.54	3/8-16UNC	0.71	1/2 X 1/2 X 2.95	0.875	1.57	3/16 X 3/16 X 1.38
6160/5Y-SB	2.250	3.54	3/8-16UNC	0.71	1/2 X 1/2 X 2.95	1.125	1.77	1/4 X 1/4 X 1.77
616HY-SB	2.250	3.54	3/8-16UNC	0.71	1/2 X 1/2 X 2.95	1.125	1.77	1/4 X 1/4 X 1.77
6170/5Y-SB	2.750	3.54	1/2-13UNC	0.94	5/8 X 5/8 X 3.15	1.375	2.17	5/16 X 5/16 X 2.16
6180/5Y-SB	3.125	4.33	1/2-13UNC	0.94	3/4 X 3/4 X 3.74	1.500	2.56	3/8 X 3/8 X 2.56
6190/5Y-SB	3.625	5.31	3/4-10UNC	1.34	7/8 X 7/8 X 4.92	1.750	2.76	3/8 X 3/8 X 2.76



Dimensions Foot Mount, Shovel Base

Single Reduction CNH-6120/5Y ▶ CHH-6190/5Y-SB (cont.)

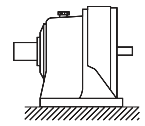
All dimensions are in inches

Model	Dimensions	143T	145T	182T	184T	213T	215T	254T	256T	284T	286T	324T	326T	364T	365T
6120/5Y-SB	C2	24.25	24.25	28.74											
	GAP	0.52	0.71	0.88											
	X ^[1]	-0.18	-0.18	-0.97											
	Weight w/o Motor (lb)	85	83	99											
612HY-SB	C2	24.25	24.25	28.74											
	GAP	0.52	0.71	0.88											
	X ^[1]	0.61	0.61	-0.18											
	Weight w/o Motor (lb)	87	85	101											
6130/5Y-SB	C2	30.83	30.83	30.83	34.84										
	GAP	0.52	0.71	0.88	1.00										
	X ^[1]	0.22	0.22	0.22	-0.77										
	Weight w/o Motor (lb)	125	125	135	135										
6140/5Y-SB	C2	31.61	31.61	31.61	35.63										
	GAP	0.52	0.71	0.88	1.00										
	X ^[1]	0.22	0.22	0.22	-0.77										
	Weight w/o Motor (lb)	173	148	145	156										
614HY-SB	C2	31.61	31.61	31.61	35.63										
	GAP	0.52	0.71	0.88	1.00										
	X ^[1]	0.61	0.61	0.61	-0.38										
	Weight w/o Motor (lb)	178	152	149	161										
6160/5Y-SB	C2	32.68	32.68	37.68	37.68	40.87									
	GAP	0.52	0.71	0.88	1.00	1.00									
	X ^[1]	1.36	1.36	-0.38	-0.38	-1.25									
	Weight w/o Motor (lb)	231	229	250	245	287									
616HY-SB	C2	32.68	32.68	37.68	37.68	40.87									
	GAP	0.52	0.71	0.88	1.00	1.00									
	X	2.93	2.93	1.20	1.20	0.33									
	Weight w/o Motor (lb)	242	240	261	256	298									
6170/5Y-SB	C2	34.41	34.41	37.83	43.43	43.43	46.14								
	GAP	0.71	0.71	0.88	1.00	1.00	1.50								
	X ^[1]	2.93	2.93	2.18	0.33	0.33	-0.70								
	Weight w/o Motor (lb)	320	318	326	390	382	401								
6180/5Y-SB	C2		40.04	40.04	46.02	46.02	50.04								
	GAP		0.88	0.88	1.00	1.00	1.50								
	X		2.97	2.97	1.11	1.11	0.09								
	Weight w/o Motor (lb)		434	431	484	476	499								
6190/5Y-SB	C2			47.01	47.01	52.09	52.09								
	GAP			1.00	1.00	1.00	1.50								
	X			3.17	3.17	1.27	1.27								
	Weight w/o Motor (lb)			635	630	689	679								

Speed Reducers

Dimensions

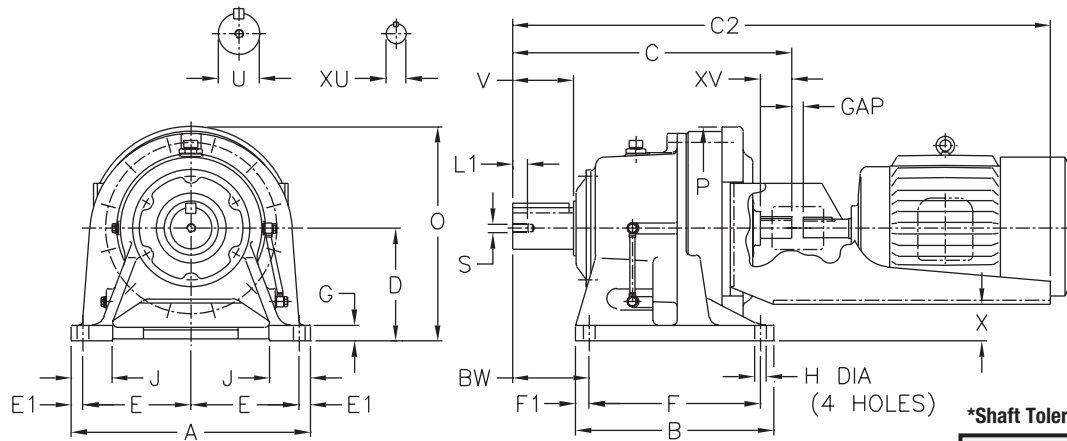
Note: [1] Negative number for dimension "X" indicates the shovel base is below the mounting surface of the Cyclo®.



Dimensions Foot Mount, Shovel Base

Single Reduction

CHH-6205Y-SB ▶ 6235Y-SB (cont.)



*Shaft Tolerances

Shaft Nominal Diameter (inches)	Tolerances (inches)
0.500 (1/2) through 0.625 (5/8)	+0.0000/-0.0004
0.750 (3/4) through 1.125 (1 1/8)	+0.0000/-0.0005
1.250 (1 1/4) through 1.875 (1 7/8)	+0.0000/-0.0006
2.000 (2) through 3.125 (3 1/8)	+0.0000/-0.0007
3.250 (3 1/4) through 4.625 (4 5/8)	+0.0000/-0.0009
4.750 (4 3/4) through 7.000 (7)	+0.0000/-0.0010

All dimensions are in inches

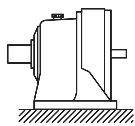
Model CHH	A	B	C	D	E	E1	F	F1	G	H	J	O	P	BW
6205Y-SB	20.87	17.32	26.69	9.843	8.66	1.77	14.17	1.57	1.38	1.02	3.94	20.87	18.54	8.46
6215Y-SB	22.83	18.70	27.87	10.433	9.45	1.97	15.55	1.57	1.57	1.02	4.33	22.64	19.96	8.27
6225Y-SB	24.41	20.47	29.61	11.024	10.63	1.57	16.54	1.97	1.57	1.30	4.53	24.02	21.61	9.06
6235Y-SB	26.38	22.05	33.03	11.811	11.42	1.77	18.11	1.97	1.77	1.30	4.72	26.26	23.27	10.24

Speed Reducers

Dimensions

Model CHH	Low Speed Shaft					High Speed Shaft		
	U*	V	S	L1	Key	XU*	XV	Key
6205Y-SB	3.875	6.50	3/4-10UNC	1.34	1 X 1 X 6.50	1.750	3.23	3/8 X 3/8 X 3.23
6215Y-SB	4.250	6.50	3/4-10UNC	1.34	1 X 1 X 6.50	1.875	3.23	1/2 X 1/2 X 3.23
6225Y-SB	4.625	6.50	3/4-10UNC	1.34	1-1/4 X 7/8 X 6.5	2.125	3.23	1/2 X 1/2 X 3.23
6235Y-SB	5.000	7.87	1-8UNC	1.61	1-1/4 X 7/8 X 7.87	2.250	4.13	1/2 X 1/2 X 4.13

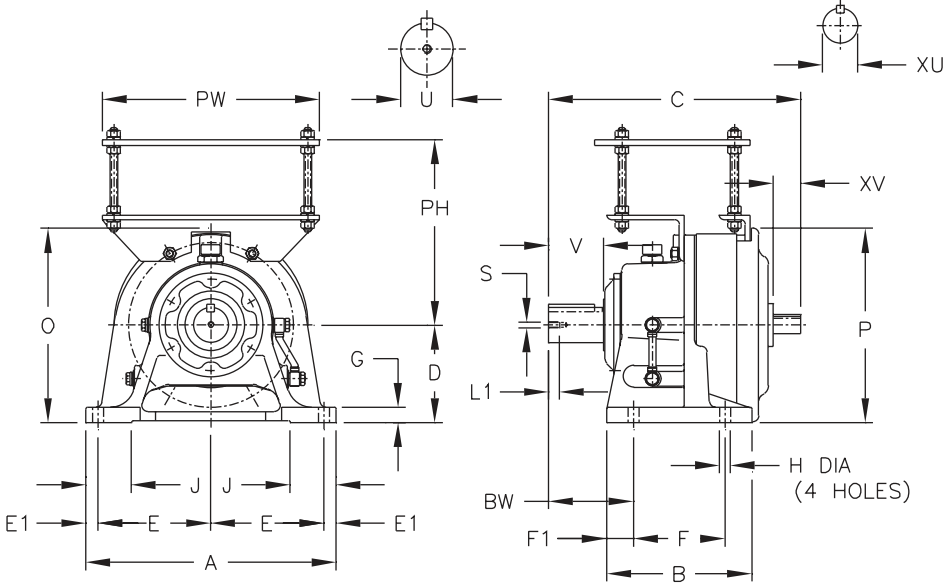
Model	Dimensions	143T	145T	182T	184T	213T	215T	254T	256T	284T	286T	324T	326T	364T	365T
6205Y	C2						47.81		47.81		53.88		53.88		54.82
	GAP						1.00		1.00		1.00		1.50		1.63
	X						3.17		3.17		1.27		1.27		0.29
	Weight w/o Motor (lb)						644		639		707		697		714
6215Y	C2						45.43		51.81		51.81		54.88		56.81
	GAP						1.00		1.00		1.00		1.50		1.63
	X						4.74		2.89		2.89		1.86		0.88
	Weight w/o Motor (lb)						812		870		862		881		900
6225Y	C2								51.42		56.50		56.50		59.41
	GAP								1.00		1.00		1.50		1.63
	X								4.27		2.45		2.45		1.47
	Weight w/o Motor (lb)								1024		1060		1050		1065
6235Y	C2										59.88		59.88		61.85
	GAP										1.00		1.50		1.63
	X										3.24		3.24		2.26
	Weight w/o Motor (lb)										1278		1268		1280



Dimensions Foot Mount, Top Mount

Single Reduction

CNHP-6110/5Y ▶ 612HY, CHHP-6130/5Y ▶ 614HY



***Shaft Tolerances**

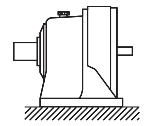
Shaft Nominal Diameter (inches)	Tolerances (inches)
0.500 (1/2) through 0.625 (5/8)	+0.0000/-0.0004
0.750 (3/4) through 1.125 (1 1/8)	+0.0000/-0.0005
1.250 (1 1/4) through 1.875 (1 7/8)	+0.0000/-0.0006
2.000 (2) through 3.125 (3 1/8)	+0.0000/-0.0007
3.250 (3 1/4) through 4.625 (4 5/8)	+0.0000/-0.0009
4.750 (4 3/4) through 7.000 (7)	+0.0000/-0.0010

All dimensions are in inches

Model CNHP, CHHP	A	B	C	D	E	E1	F	F1	G	H	J	P	BW
6110/5Y	7.09	5.31	8.58	4.724	2.95	0.59	3.54	0.59	0.47	0.43	1.77	6.38	2.76
6120/5Y	9.06	6.10	10.20	4.724	3.74	0.79	4.53	0.79	0.59	0.55	2.17	8.03	3.23
612HY	9.06	6.10	10.20	5.512	3.74	0.79	4.53	0.79	0.59	0.55	2.36	8.03	3.23
6130/5Y	12.99	7.68	12.64	5.906	5.71	0.79	5.71	0.98	0.87	0.71	2.56	9.06	3.94
6140/5Y	12.99	7.68	13.43	5.906	5.71	0.79	5.71	0.98	0.87	0.71	2.56	9.06	4.72
614HY	12.99	7.68	13.43	6.299	5.71	0.79	5.71	0.98	0.87	0.71	2.76	9.06	4.72

Model CNHP, CHHP	Low Speed Shaft					High Speed Shaft		
	U*	V	S	L1	Key	XU*	XV	Key
6110/5Y	1.250	1.77	5/16-18UNC	0.79	1/4 X 1/4 X 1.46	0.625	0.98	3/16 X 3/16 X 0.75
6120/5Y	1.500	2.17	5/16-18UNC	0.79	3/8 X 3/8 X 1.77	0.750	1.38	3/16 X 3/16 X 1.02
612HY	1.500	2.17	5/16-18UNC	0.79	3/8 X 3/8 X 1.77	0.750	1.38	3/16 X 3/16 X 1.02
6130/5Y	1.875	2.76	3/8-16UNC	0.71	1/2 X 1/2 X 2.16	0.875	1.57	3/16 X 3/16 X 1.38
6140/5Y	1.875	3.54	3/8-16UNC	0.71	1/2 X 1/2 X 2.95	0.875	1.57	3/16 X 3/16 X 1.38
614HY	1.875	3.54	3/8-16UNC	0.71	1/2 X 1/2 X 2.95	0.875	1.57	3/16 X 3/16 X 1.38

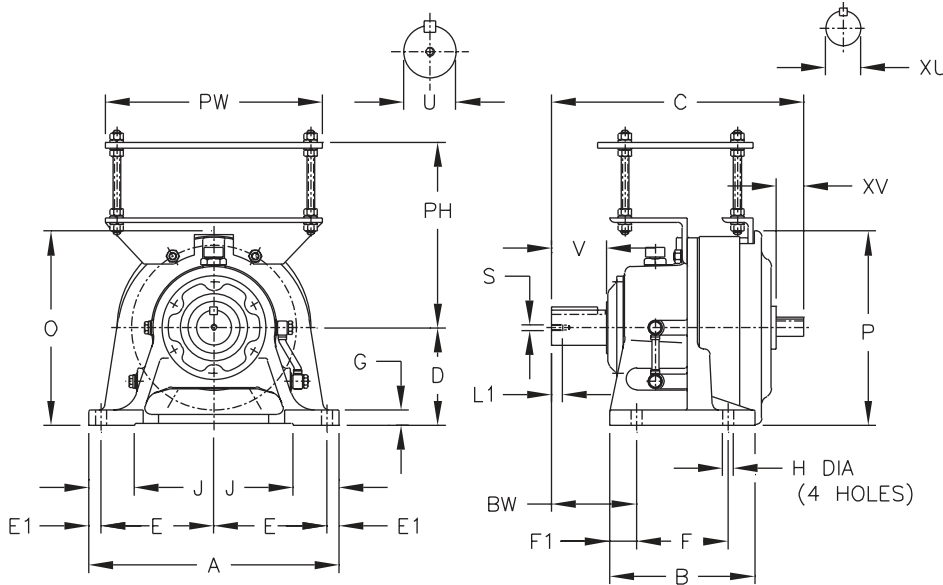
Model	Dimensions	56	143T	145T	182T	184T	213T	215T	254T	256T	284T	286T	324T	326T	364T	365T	404T	405T	444T	445T	447T				
6110/5Y 6120/5Y 612HY	PH MIN			7.08			7.08																		
	PH MAX			9.53			9.53																		
	PW			12.01			14.96																		
	Weight w/o Motor (lb)	67(6110/5), 91(6120/5), 93(612H)			75 (6110/5) 99 (6120/5) 101 (612H)																				
6130/5Y	PH MIN					7.59				7.59															
	PH MAX					9.91				9.91															
	PW					14.96				17.01															
	Weight w/o Motor (lb)				141			154																	
6140/5Y 614HY	PH MIN					7.59				7.59															
	PH MAX					9.91				9.91															
	PW					14.96				17.01															
	Weight w/o Motor (lb)				143(6140/5), 147(614H)			156 (6140/5) 160 (614H)																	



Dimensions Foot Mount, Top Mount

Single Reduction

CHHP-6160/5Y ▶ 6275Y



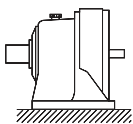
***Shaft Tolerances**

Shaft Nominal Diameter (inches)	Tolerances (inches)
0.500 (1/2) through 0.625 (5/8)	+0.0000/-0.0004
0.750 (3/4) through 1.125 (1 1/8)	+0.0000/-0.0005
1.250 (1 1/4) through 1.875 (1 7/8)	+0.0000/-0.0006
2.000 (2) through 3.125 (3 1/8)	+0.0000/-0.0007
3.250 (3 1/4) through 4.625 (4 5/8)	+0.0000/-0.0009
4.750 (4 3/4) through 7.000 (7)	+0.0000/-0.0010

All dimensions are in inches

Model CHHP	A	B	C	D	E	E1	F	F1	G	H	J	P	BW
6160/5Y	16.14	9.37	16.26	6.299	7.28	0.79	5.91	1.73	0.98	0.71	2.95	12.52	5.47
616HY	16.14	9.37	16.26	7.874	7.28	0.79	5.91	1.73	0.98	0.71	3.15	12.52	5.47
6170/5Y	16.93	13.19	18.78	7.874	7.48	0.98	10.83	1.18	1.18	0.87	3.15	14.25	4.92
6180/5Y	18.50	14.96	20.75	8.661	8.27	0.98	12.60	1.18	1.18	0.87	3.35	15.35	5.71
6190/5Y	20.87	17.32	24.41	9.843	9.45	0.98	14.96	1.18	1.38	1.02	3.54	17.76	6.69
6205Y	20.87	17.32	26.69	9.843	8.66	1.77	14.17	1.57	1.38	1.02	3.94	18.54	8.46
6215Y	22.83	18.70	27.87	10.433	9.45	1.97	15.55	1.57	1.57	1.02	4.33	19.96	8.27
6225Y	24.41	20.47	29.61	11.024	10.63	1.57	16.54	1.97	1.57	1.30	4.53	21.61	9.06
6235Y	26.38	22.05	33.03	11.811	11.42	1.77	18.11	1.97	1.77	1.30	4.72	23.27	10.24
6245Y	28.35	22.83	34.53	13.189	12.40	1.77	18.90	1.97	1.77	1.54	5.04	25.08	10.35
6255Y	30.71	24.80	40.94	14.764	13.19	2.17	20.47	2.17	1.97	1.54	5.51	27.68	12.60
6265Y	34.65	27.56	45.28	15.748	15.16	2.17	23.23	2.17	2.17	1.77	6.30	30.39	15.35
6275Y	45.67	40.94	57.56	21.260	20.67	2.17	16.54	3.94	2.36	1.77	7.87	38.82	19.09

Model CHHP	Low Speed Shaft					High Speed Shaft		
	U*	V	S	L1	Key	XU*	XV	Key
6160/5Y	2.250	3.54	3/8-16UNC	0.71	1/2 X 1/2 X 2.95	1.125	1.77	1/4 X 1/4 X 1.77
616HY	2.250	3.54	3/8-16UNC	0.71	1/2 X 1/2 X 2.95	1.125	1.77	1/4 X 1/4 X 1.77
6170/5Y	2.750	3.54	1/2-13UNC	0.94	5/8 X 5/8 X 3.15	1.375	2.17	5/16 X 5/16 X 2.16
6180/5Y	3.125	4.33	1/2-13UNC	0.94	3/4 X 3/4 X 3.74	1.500	2.56	3/8 X 3/8 X 2.56
6190/5Y	3.625	5.31	3/4-10UNC	1.34	7/8 X 7/8 X 4.92	1.750	2.76	3/8 X 3/8 X 2.76
6205Y	3.875	6.50	3/4-10UNC	1.34	1 X 1 X 6.50	1.750	3.23	3/8 X 3/8 X 3.23
6215Y	4.250	6.50	3/4-10UNC	1.34	1 X 1 X 6.50	1.875	3.23	1/2 X 1/2 X 3.23
6225Y	4.625	6.50	3/4-10UNC	1.34	1-1/4 X 7/8 X 6.5	2.125	3.23	1/2 X 1/2 X 3.23
6235Y	5.000	7.87	1-8UNC	1.61	1-1/4 X 7/8 X 7.87	2.250	4.13	1/2 X 1/2 X 4.13
6245Y	5.500	7.87	1-8UNC	1.61	1-1/4 X 7/8 X 7.87	2.500	4.13	5/8 X 5/8 X 4.13
6255Y	6.250	9.45	1-1/4-7UNC	1.93	1-1/2 X 1 X 9.45	3.125	5.12	3/4 X 3/4 X 5.12
6265Y	6.625	11.81	1-1/4-7UNC	1.93	1-3/4 X 1-1/4 X 11.8	3.125	5.12	3/4 X 3/4 X 5.12
6275Y	7.000	13.00	1-1/4-7UNC	2.05	1-3/4 X 1-1/4 X 13	3.500	5.91	7/8 X 7/8 X 5.90



Dimensions Foot Mount, Top Mount

Single Reduction CHHP-6160/5Y ▶ 6275Y (cont.)

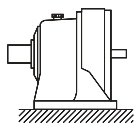
All dimensions are in inches

Model	Dimensions	56	143T	145T	182T	184T	213T	215T	254T	256T	284T	286T	324T	326T	364T	365T	404T	405T	444T	445T	447T									
6160/5Y 616HY	PH MIN				9.16				9.29		9.29																			
	MAX				12.17				12.17		12.11																			
	PW				14.02				17.01		18.03																			
	Weight w/o Motor (lb)				223 (6160/5), 234 (616H)				244 (6160/5) 255 (616H)		262 (6160/5) 273 (616H)																			
6170/5Y	PH MIN				10.20				10.20		10.20																			
	MAX				13.08				13.02		13.08																			
	PW				17.01				17.01		18.50																			
	Weight w/o Motor (lb)				325				339		346																			
6180/5Y	PH MIN						10.71				10.71																			
	MAX						14.09				14.03																			
	PW						17.01				20.00																			
	Weight w/o Motor (lb)						416				433																			
6190/5Y	PH MIN								12.28				12.28																	
	MAX								15.45				15.39																	
	PW								20.00				24.02																	
	Weight w/o Motor (lb)								595				654																	
6205Y	PH MIN						13.40				13.52				13.52															
	MAX						17.13				17.00				17.00															
	PW						15.98				18.98				18.98															
	Weight w/o Motor (lb)						629				680				732															
6215Y	PH MIN										14.27				14.52															
	MAX										18.25				18.25															
	PW										24.02				28.03															
	Weight w/o Motor (lb)										911				1055															
6225Y	PH MIN										14.78				15.26															
	MAX										18.76				18.74															
	PW										24.02				28.03															
	Weight w/o Motor (lb)										1065				1216															
6235Y	PH MIN				15.64				15.77				15.77				16.27													
	MAX				19.87				19.75				19.75				19.75													
	PW				15.98				18.98				24.02				28.03													
	Weight w/o Motor (lb)				1173				1221				1268				1354													
6245Y	PH MIN										17.05				17.05				17.58											
	MAX										20.80				20.80				20.82											
	PW										22.05				24.02				28.03											
	Weight w/o Motor (lb)										1483				1506				1650											
6255Y	PH MIN												18.31				18.80		18.80											
	MAX												22.06				22.04		22.04											
	PW												28.03				28.03		30.00											
	Weight w/o Motor (lb)												2252				2387		2428											
6265Y	PH MIN												19.29				19.82				19.82									
	MAX												25.04				25.07				25.07									
	PW												24.02				28.03				30.00									
	Weight w/o Motor (lb)												2773				2903				3028									
6275Y	PH MIN																23.44													
	MAX																28.69													
	PW																28.35													
	Weight w/o Motor (lb)																5828													

Speed Reducers

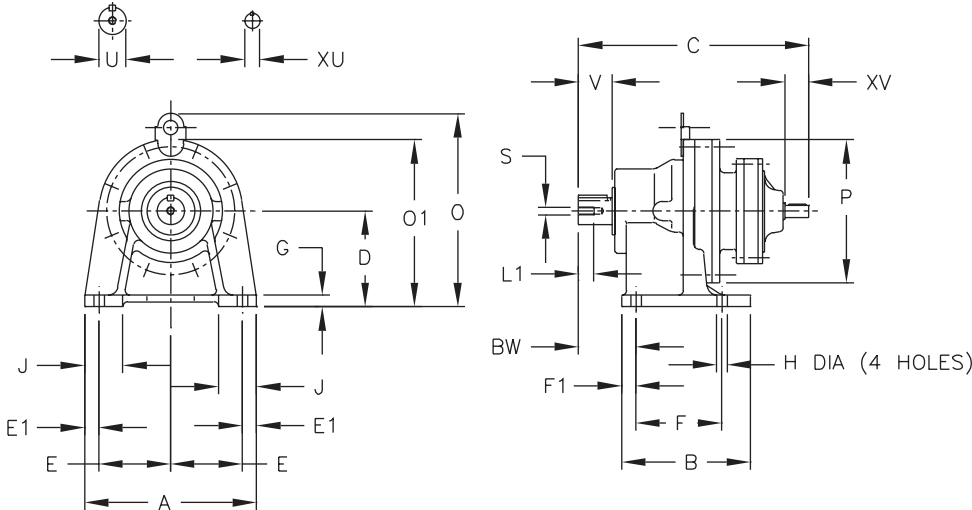
Dimensions

This page intentionally left blank.



Dimensions Foot Mount

Double Reduction CNH-6060/5DAY ▶ 6120/5DBY



***Shaft Tolerances**

Shaft Nominal Diameter (inches)	Tolerances (inches)
0.500 (1/2) through 0.625 (5/8)	+0.0000/-0.0004
0.750 (3/4) through 1.125 (1 1/8)	+0.0000/-0.0005
1.250 (1 1/4) through 1.875 (1 7/8)	+0.0000/-0.0006
2.000 (2) through 3.125 (3 1/8)	+0.0000/-0.0007
3.250 (3 1/4) through 4.625 (4 5/8)	+0.0000/-0.0009
4.750 (4 3/4) through 7.000 (7)	+0.0000/-0.0010

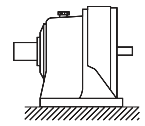
All dimensions are in inches

Model CNH	A	B	C	D	E	E1	F	F1	G	H	J	O1	O	P	BW
6060/5DAY	5.67	3.31	7.01	3.150	2.36	0.47	2.36	0.47	0.39	0.35	1.38	5.31	-	4.33	1.61
6070/5DAY	5.67	3.31	7.24	3.150	2.36	0.47	2.36	0.47	0.39	0.35	1.38	5.31	-	4.33	1.85
6090/5DAY	7.09	5.31	9.57	3.937	2.95	0.59	3.54	0.59	0.47	0.43	1.57	6.89	-	5.91	2.36
6100/5DAY	7.09	5.31	10.12	3.937	2.95	0.59	3.54	0.59	0.47	0.43	1.57	-	8.15	5.91	2.36
6120/5DBY	9.06	6.10	12.28	4.724	3.74	0.79	4.53	0.79	0.59	0.55	2.17	-	10.12	8.03	3.23

Model CNH	Low Speed Shaft					High Speed Shaft			Approx. Wt. (lb.)
	U*	V	S	L1	Key	XU*	XV	Key	
6060/5DAY	0.500	0.98	10-32UNF	0.63	1/8 X 1/8 X .79	0.500	0.98	1/8 X 1/8 X 0.71	9
6070/5DAY	0.750	1.18	12-28UNF	0.63	3/16 X 3/16 X 1.06	0.500	0.98	1/8 X 1/8 X 0.71	10
6090/5DAY	1.125	1.38	5/16-18UNC	0.79	1/4 X 1/4 X 1.18	0.500	0.98	1/8 X 1/8 X 0.71	26
6100/5DAY	1.125	1.38	5/16-18UNC	0.79	1/4 X 1/4 X 1.18	0.500	0.98	1/8 X 1/8 X 0.71	33
6120/5DBY	1.500	2.17	5/16-18UNC	0.79	3/8 X 3/8 X 1.77	0.625	0.98	3/16 X 3/16 X 0.75	64

Speed Reducers

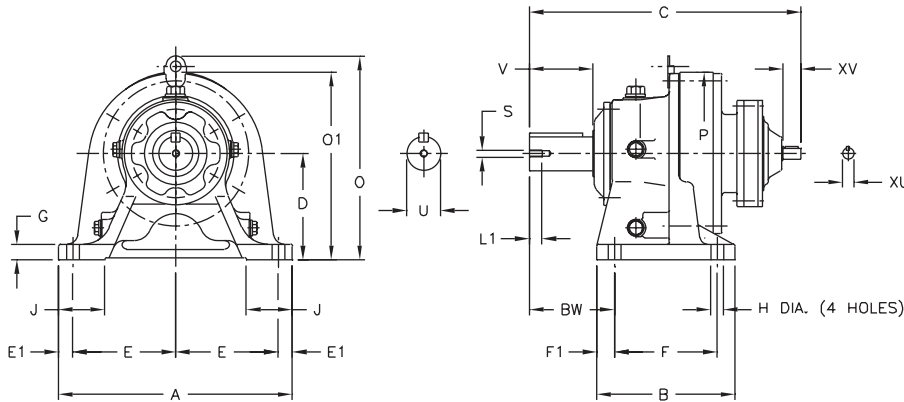
Dimensions



Dimensions Foot Mount

Double Reduction

CHH-6130/5DAY ▶ 6140/5DCY



***Shaft Tolerances**

Shaft Nominal Diameter (inches)	Tolerances (inches)
0.500 (1/2) through 0.625 (5/8)	+0.0000/-0.0004
0.750 (3/4) through 1.125 (1 1/8)	+0.0000/-0.0005
1.250 (1 1/4) through 1.875 (1 7/8)	+0.0000/-0.0006
2.000 (2) through 3.125 (3 1/8)	+0.0000/-0.0007
3.250 (3 1/4) through 4.625 (4 5/8)	+0.0000/-0.0009
4.750 (4 3/4) through 7.000 (7)	+0.0000/-0.0010

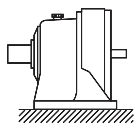
All dimensions are in inches

Speed Reducers

Dimensions

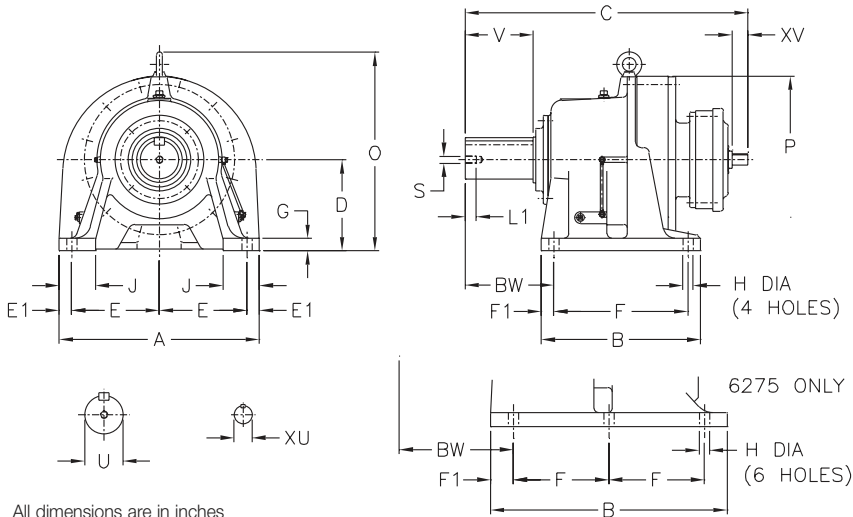
Model CHH	A	B	C	D	E	E1	F	F1	G	H	J	O1	O	P	BW
6130/5DAY	12.99	7.68	13.66	5.906	5.71	0.79	5.71	0.98	0.87	0.71	2.56	-	11.81	9.06	3.94
6130/5DBY	12.99	7.68	14.29	5.906	5.71	0.79	5.71	0.98	0.87	0.71	2.56	-	11.81	9.06	3.94
6130/5DCY	12.99	7.68	14.53	5.906	5.71	0.79	5.71	0.98	0.87	0.71	2.56	-	11.81	9.06	3.94
6140/5DAY	12.99	7.68	14.45	5.906	5.71	0.79	5.71	0.98	0.87	0.71	2.56	-	11.81	9.06	4.72
6140/5DBY	12.99	7.68	15.08	5.906	5.71	0.79	5.71	0.98	0.87	0.71	2.56	-	11.81	9.06	4.72
6140/5DCY	12.99	7.68	15.31	5.906	5.71	0.79	5.71	0.98	0.87	0.71	2.56	-	11.81	9.06	4.72

Model CHH	Low Speed Shaft					High Speed Shaft			Approx. Wt. (lb.)
	U*	V	S	L1	Key	XU*	XV	Key	
6130/5DAY	1.875	2.76	3/8-16UNC	0.71	1/2 X 1/2 X 2.16	0.500	0.98	1/8 X 1/8 X 0.71	90
6130/5DBY	1.875	2.76	3/8-16UNC	0.71	1/2 X 1/2 X 2.16	0.625	0.98	3/16 X 3/16 X 0.75	99
6130/5DCY	1.875	2.76	3/8-16UNC	0.71	1/2 X 1/2 X 2.16	0.625	0.98	3/16 X 3/16 X 0.75	101
6140/5DAY	1.875	3.54	3/8-16UNC	0.71	1/2 X 1/2 X 2.95	0.500	0.98	1/8 X 1/8 X 0.71	90
6140/5DBY	1.875	3.54	3/8-16UNC	0.71	1/2 X 1/2 X 2.95	0.625	0.98	3/16 X 3/16 X 0.75	99
6140/5DCY	1.875	3.54	3/8-16UNC	0.71	1/2 X 1/2 X 2.95	0.625	0.98	3/16 X 3/16 X 0.75	101



Dimensions Foot Mount

Double Reduction CHH-6160/5DCY ▶ 6275DAY



***Shaft Tolerances**

Shaft Nominal Diameter (inches)	Tolerances (inches)
0.500 (1/2) through 0.625 (5/8)	+0.0000/-0.0004
0.750 (3/4) through 1.125 (1 1/8)	+0.0000/-0.0005
1.250 (1 1/4) through 1.875 (1 7/8)	+0.0000/-0.0006
2.000 (2) through 3.125 (3 1/8)	+0.0000/-0.0007
3.250 (3 1/4) through 4.625 (4 5/8)	+0.0000/-0.0009
4.750 (4 3/4) through 7.000 (7)	+0.0000/-0.0010

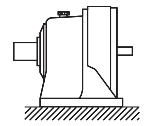
All dimensions are in inches

Model CHH	A	B	C	D	E	E1	F	F1	G	H	J	O	P	BW
6160/5DCY	16.14	9.37	18.19	6.299	7.28	0.79	5.91	1.73	0.98	0.71	2.95	13.74	11.81	5.47
6170/5DCY	16.93	13.19	20.04	7.874	7.48	0.98	10.83	1.18	1.18	0.87	3.15	16.38	13.39	4.92
6180/5DBY	18.50	14.96	22.72	8.661	8.27	0.98	12.60	1.18	1.18	0.87	3.35	17.76	14.57	5.71
6190/5DAY	20.87	17.32	24.76	9.843	9.45	0.98	14.96	1.18	1.38	1.02	3.54	20.91	16.93	6.69
6190/5DBY	20.87	17.32	25.71	9.843	9.45	0.98	14.96	1.18	1.38	1.02	3.54	20.91	16.93	6.69
6205DAY	20.87	17.32	26.38	9.843	8.66	1.77	14.17	1.57	1.38	1.02	3.94	20.87	17.64	8.46
6205DBY	20.87	17.32	27.76	9.843	8.66	1.77	14.17	1.57	1.38	1.02	3.94	20.87	17.64	8.46
6215DAY	22.83	18.70	28.78	10.433	9.45	1.97	15.55	1.57	1.57	1.02	4.33	22.64	19.09	8.27
6215DBY	22.83	18.70	30.71	10.433	9.45	1.97	15.55	1.57	1.57	1.02	4.33	22.64	19.09	8.27
6225DAY	24.41	20.47	30.43	11.024	10.63	1.57	16.54	1.97	1.57	1.30	4.53	24.02	20.71	9.06
6225DBY	24.41	20.47	33.86	11.024	10.63	1.57	16.54	1.97	1.57	1.30	4.53	24.02	20.71	9.06
6235DAY	26.38	22.05	34.76	11.811	11.42	1.77	18.11	1.97	1.77	1.30	4.72	26.26	22.13	10.24
6235DBY	26.38	22.05	36.93	11.811	11.42	1.77	18.11	1.97	1.77	1.30	4.72	26.26	22.13	10.24
6245DAY	28.35	22.83	36.26	13.189	12.40	1.77	18.90	1.97	1.77	1.54	5.04	28.70	24.17	10.35
6245DBY	28.35	22.83	38.39	13.189	12.40	1.77	18.90	1.97	1.77	1.54	5.04	28.70	24.17	10.35
6255DAY	30.71	24.80	42.56	14.764	13.19	2.17	20.47	2.17	1.97	1.54	5.51	32.09	26.38	12.60
6255DBY	30.71	24.80	44.61	14.764	13.19	2.17	20.47	2.17	1.97	1.54	5.51	32.09	26.38	12.60
6265DAY	34.65	27.56	48.94	15.748	15.16	2.17	23.23	2.17	2.17	1.77	6.30	34.41	28.98	15.35
6275DAY	45.67	40.94	59.21	21.260	20.67	2.17	16.54	3.94	2.36	1.77	7.87	45.71	37.40	19.09

Model CHH	Low Speed Shaft					High Speed Shaft			Approx. Wt. (lb.)
	U*	V	S	L1	Key	XU*	XV	Key	
6160/5DCY	2.250	3.54	3/8-16UNC	0.71	1/2 X 1/2 X 2.95	0.750	1.38	3/16 X 3/16 X 1.02	207
6170/5DCY	2.750	3.54	1/2-13UNC	0.94	5/8 X 5/8 X 3.15	0.750	1.38	3/16 X 3/16 X 1.02	282
6180/5DBY	3.125	4.33	1/2-13UNC	0.94	3/4 X 3/4 X 3.74	0.875	1.57	3/16 X 3/16 X 1.38	404
6190/5DAY	3.625	5.31	3/4-10UNC	1.34	7/8 X 7/8 X 4.92	0.750	1.38	3/16 X 3/16 X 1.02	531
6190/5DBY	3.625	5.31	3/4-10UNC	1.34	7/8 X 7/8 X 4.92	0.875	1.57	3/16 X 3/16 X 1.38	551
6205DAY	3.875	6.50	3/4-10UNC	1.34	1 X 1 X 6.50	0.750	1.38	3/16 X 3/16 X 1.02	573
6205DBY	3.875	6.50	3/4-10UNC	1.34	1 X 1 X 6.50	0.875	1.57	3/16 X 3/16 X 1.38	602
6215DAY	4.250	6.50	3/4-10UNC	1.34	1 X 1 X 6.50	0.875	1.57	3/16 X 3/16 X 1.38	781
6215DBY	4.250	6.50	3/4-10UNC	1.34	1 X 1 X 6.50	1.125	1.77	1/4 X 1/4 X 1.77	829
6225DAY	4.625	6.50	3/4-10UNC	1.34	1-1/4 X 7/8 X 6.5	0.875	1.57	3/16 X 3/16 X 1.38	946
6225DBY	4.625	6.50	3/4-10UNC	1.34	1-1/4 X 7/8 X 6.5	1.375	2.17	5/16 X 5/16 X 2.16	1050
6235DAY	5.000	7.87	1-8UNC	1.61	1-1/4 X 7/8 X 7.87	1.125	1.77	1/4 X 1/4 X 1.77	1208
6235DBY	5.000	7.87	1-8UNC	1.61	1-1/4 X 7/8 X 7.87	1.500	2.56	3/8 X 3/8 X 2.56	1283
6245DAY	5.500	7.87	1-8UNC	1.61	1-1/4 X 7/8 X 7.87	1.125	1.77	1/4 X 1/4 X 1.77	1446
6245DBY	5.500	7.87	1-8UNC	1.61	1-1/4 X 7/8 X 7.87	1.500	2.56	3/8 X 3/8 X 2.56	1513
6255DAY	6.250	9.45	1-1/4-7UNC	1.93	1-1/2 X 1 X 9.45	1.375	2.17	5/16 X 5/16 X 2.16	2227
6255DBY	6.250	9.45	1-1/4-7UNC	1.93	1-1/2 X 1 X 9.45	1.750	2.76	3/8 X 3/8 X 2.76	2392
6265DAY	6.625	11.81	1-1/4-7UNC	1.93	1-3/4 X 1-1/4 X 11.8	1.750	2.76	3/8 X 3/8 X 2.76	2955
6275DAY	7.000	13.00	1-1/4-7UNC	2.05	1-3/4 X 1-1/4 X 13	1.750	2.76	3/8 X 3/8 X 2.76	5468

Speed Reducers

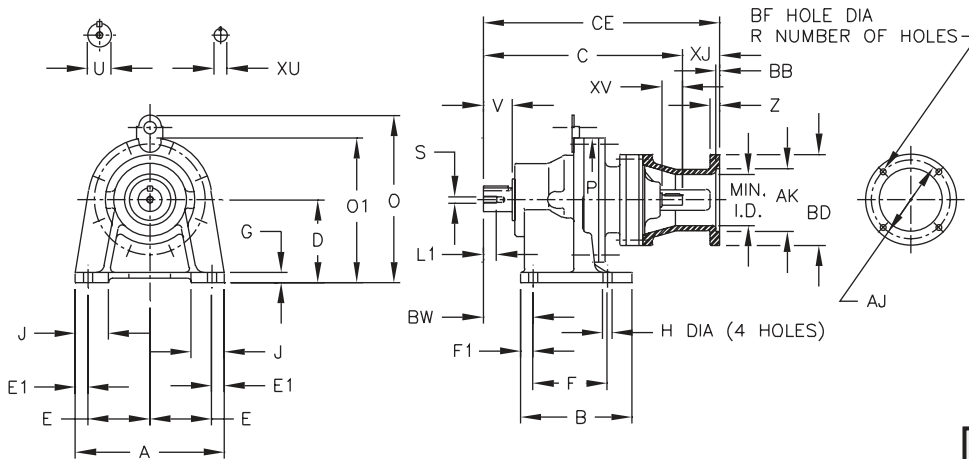
Dimensions



Dimensions Foot Mount, C-Face

Double Reduction

CNHJ-6060/5DAY ▶ 6120/5DBY



***Shaft Tolerances**

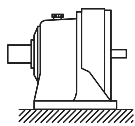
Shaft Nominal Diameter (inches)	Tolerances (inches)
0.500 (1/2) through 0.625 (5/8)	+0.0000/-0.0004
0.750 (3/4) through 1.125 (1 1/8)	+0.0000/-0.0005
1.250 (1 1/4) through 1.875 (1 7/8)	+0.0000/-0.0006
2.000 (2) through 3.125 (3 1/8)	+0.0000/-0.0007
3.250 (3 1/4) through 4.625 (4 5/8)	+0.0000/-0.0009
4.750 (4 3/4) through 7.000 (7)	+0.0000/-0.0010

All dimensions are in inches

Model CNHJ	A	B	C	D	E	E1	F	F1	G	H	J	O1	O	P	BW
6060/5DAY	5.67	3.31	7.01	3.150	2.36	0.47	2.36	0.47	0.39	0.35	1.38	5.31	-	4.33	1.61
6070/5DAY	5.67	3.31	7.24	3.150	2.36	0.47	2.36	0.47	0.39	0.35	1.38	5.31	-	4.33	1.85
6090/5DAY	7.09	5.31	9.57	3.937	2.95	0.59	3.54	0.59	0.47	0.43	1.57	6.89	-	5.91	2.36
6100/5DAY	7.09	5.31	10.12	3.937	2.95	0.59	3.54	0.59	0.47	0.43	1.57	-	8.15	5.91	2.36
6120/5DBY	9.06	6.10	12.28	4.724	3.74	0.79	4.53	0.79	0.59	0.55	2.17	-	10.12	8.03	3.23

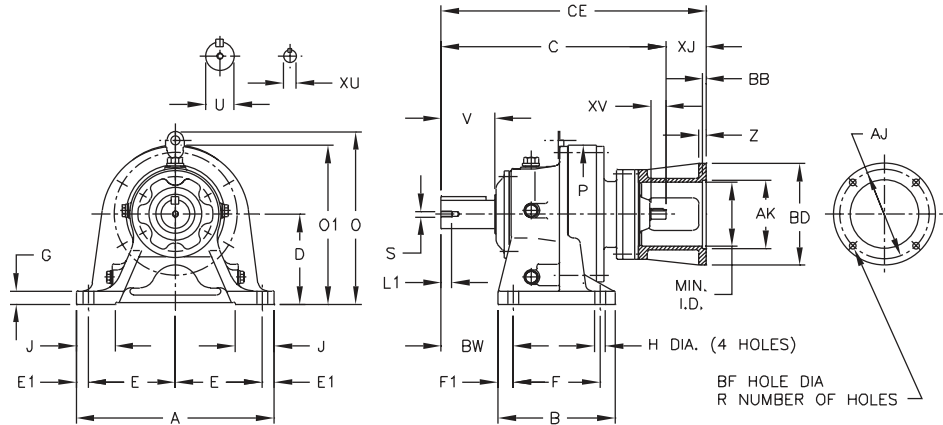
Model CNHJ	Low Speed Shaft				High Speed Shaft			
	U*	V	S	L1	Key	XU*	XV	Key
6060/5DAY	0.500	0.98	10-32UNF	0.63	1/8 X 1/8 X .79	0.500	0.98	1/8 X 1/8 X 0.71
6070/5DAY	0.750	1.18	12-28UNF	0.63	3/16 X 3/16 X 1.06	0.500	0.98	1/8 X 1/8 X 0.71
6090/5DAY	1.125	1.38	5/16-18UNC	0.79	1/4 X 1/4 X 1.18	0.500	0.98	1/8 X 1/8 X 0.71
6100/5DAY	1.125	1.38	5/16-18UNC	0.79	1/4 X 1/4 X 1.18	0.500	0.98	1/8 X 1/8 X 0.71
6120/5DBY	1.500	2.17	5/16-18UNC	0.79	3/8 X 3/8 X 1.77	0.625	0.98	3/16 X 3/16 X 0.75

Model CNHJ	Motor Frame	AJ	AK	BD	BB	BF	R	CE	XJ	Z	Min. I.D.	Approx Wt. (lb)
6060/5DAY	42C	3.75	3.000	4.33	-	0.28	4	8.79	1.78	0.47	2.44	12
	48C	3.75	3.000	4.33	-	0.28	4	9.17	2.16	0.47	2.44	12
6070/5DAY	42C	3.75	3.000	4.33	-	0.28	4	9.02	1.78	0.47	2.44	13
	48C	3.75	3.000	4.33	-	0.28	4	9.40	2.16	0.47	2.44	13
6090/5DAY	42C	3.75	3.000	4.33	-	0.28	4	11.35	1.78	0.47	2.44	29
	48C	3.75	3.000	4.33	-	0.28	4	11.72	2.16	0.47	2.44	30
6090/5DAY	56~145TC	5.88	4.500	6.69	-	0.43	4	12.13	2.56	0.47	3.15	32
	42C	3.75	3.000	4.33	-	0.28	4	11.90	1.78	0.47	2.44	36
6100/5DAY	48C	3.75	3.000	4.33	-	0.28	4	12.28	2.16	0.47	2.44	36
	56~145TC	5.88	4.500	6.69	-	0.43	4	12.68	2.56	0.47	3.15	39
6120/5DBY	42C	3.75	3.000	4.33	-	0.28	4	14.06	1.78	0.47	2.44	69
	48C	3.75	3.000	4.33	-	0.28	4	14.44	2.16	0.47	2.44	69
	56~145TC	5.88	4.500	6.69	-	0.43	4	14.91	2.63	0.47	4.21	71



Dimensions Foot Mount, C-Face

Double Reduction CHHJ-6130/5DAY ▶ 6140/5DCY



***Shaft Tolerances**

Shaft Nominal Diameter (inches)	Tolerances (inches)
0.500 (1/2) through 0.625 (5/8)	+0.0000/-0.0004
0.750 (3/4) through 1.125 (1 1/8)	+0.0000/-0.0005
1.250 (1 1/4) through 1.875 (1 7/8)	+0.0000/-0.0006
2.000 (2) through 3.125 (3 1/8)	+0.0000/-0.0007
3.250 (3 1/4) through 4.625 (4 5/8)	+0.0000/-0.0009
4.750 (4 3/4) through 7.000 (7)	+0.0000/-0.0010

All dimensions are in inches

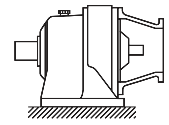
Model CHHJ	A	B	C	D	E	E1	F	F1	G	H	J	O1	O	P	BW
6130/5DAY	12.99	7.68	13.66	5.906	5.71	0.79	5.71	0.98	0.87	0.71	2.56	-	11.81	9.06	3.94
6130/5DBY	12.99	7.68	14.29	5.906	5.71	0.79	5.71	0.98	0.87	0.71	2.56	-	11.81	9.06	3.94
6130/5DCY	12.99	7.68	14.53	5.906	5.71	0.79	5.71	0.98	0.87	0.71	2.56	-	11.81	9.06	3.94
6140/5DAY	12.99	7.68	14.45	5.906	5.71	0.79	5.71	0.98	0.87	0.71	2.56	-	11.81	9.06	4.72
6140/5DBY	12.99	7.68	15.08	5.906	5.71	0.79	5.71	0.98	0.87	0.71	2.56	-	11.81	9.06	4.72
6140/5DCY	12.99	7.68	15.31	5.906	5.71	0.79	5.71	0.98	0.87	0.71	2.56	-	11.81	9.06	4.72

Model CHHJ	Low Speed Shaft				High Speed Shaft			
	U*	V	S	L1	Key	XU*	XV	Key
6130/5DAY	1.875	2.76	3/8-16UNC	0.71	1/2 X 1/2 X 2.16	0.500	0.98	1/8 X 1/8 X 0.71
6130/5DBY	1.875	2.76	3/8-16UNC	0.71	1/2 X 1/2 X 2.16	0.625	0.98	3/16 X 3/16 X 0.75
6130/5DCY	1.875	2.76	3/8-16UNC	0.71	1/2 X 1/2 X 2.16	0.625	0.98	3/16 X 3/16 X 0.75
6140/5DAY	1.875	3.54	3/8-16UNC	0.71	1/2 X 1/2 X 2.95	0.500	0.98	1/8 X 1/8 X 0.71
6140/5DBY	1.875	3.54	3/8-16UNC	0.71	1/2 X 1/2 X 2.95	0.625	0.98	3/16 X 3/16 X 0.75
6140/5DCY	1.875	3.54	3/8-16UNC	0.71	1/2 X 1/2 X 2.95	0.625	0.98	3/16 X 3/16 X 0.75

Model CHHJ	Motor Frame	AJ	AK	BD	BB	BF	R	CE	XJ	Z	Min. I.D.	Approx Wt. (lb)
6130/5DAY	42C	3.75	3.000	4.33	-	0.28	4	15.44	1.78	0.47	2.44	94
	48C	3.75	3.000	4.33	-	0.28	4	15.82	2.16	0.47	2.44	94
	56C~143TC	5.88	4.500	6.69	-	0.43	4	16.22	2.56	0.47	4.21	96
6130/5DBY	42C	3.75	3.000	4.33	-	0.28	4	16.07	1.78	0.47	2.44	103
	48C	3.75	3.000	4.33	-	0.28	4	16.45	2.16	0.47	2.44	105
	56C~143TC	5.88	4.500	6.69	-	0.43	4	16.92	2.63	0.47	4.21	107
6130/5DCY	48C	3.75	3.000	4.33	-	0.28	4	16.69	2.16	0.47	2.44	107
	56C~145TC	5.87	4.500	6.69	-	0.43	4	17.15	2.63	0.47	4.21	108
6140/5DAY	42C	3.75	3.000	4.33	-	0.28	4	16.23	1.78	0.47	2.44	94
	48C	3.75	3.000	4.33	-	0.28	4	16.61	2.16	0.47	2.44	94
	56C~143TC	5.88	4.500	6.69	-	0.43	4	17.01	2.56	0.47	4.21	96
6140/5DBY	42C	3.75	3.000	4.33	-	0.28	4	16.86	1.78	0.47	2.44	104
	48C	3.75	3.000	4.33	-	0.28	4	17.24	2.16	0.47	2.44	105
	56C~145TC	5.88	4.500	6.69	-	0.43	4	17.70	2.63	0.47	4.21	107
6140/5DCY	48C	3.75	3.000	4.33	-	0.28	4	17.47	2.16	0.47	2.44	107
	56C~145TC	5.88	4.500	6.69	-	0.43	4	17.94	2.63	0.47	4.21	108
	182TC~184TC	7.25	8.500	8.98	0.22	0.55	4	18.98	3.67	0.47	5.43	112

Speed Reducers

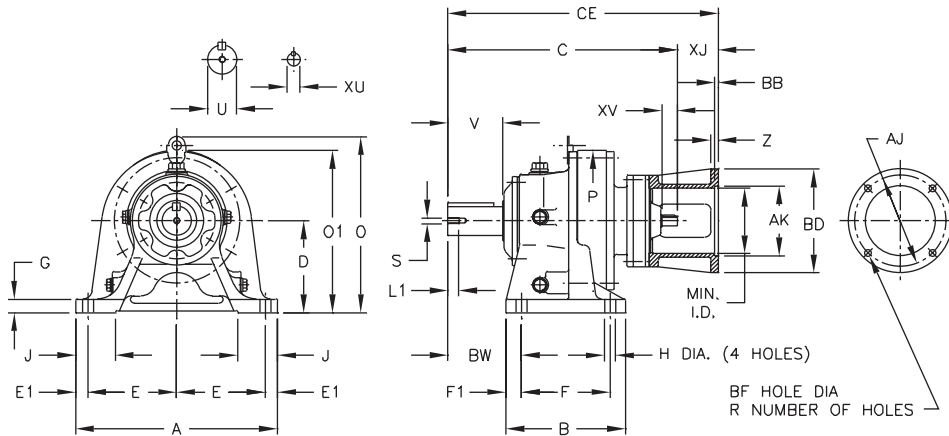
Dimensions



Dimensions Foot Mount, C-Face

Double Reduction

CHHJ-6160/5DCY ▶ 6225DBY



***Shaft Tolerances**

Shaft Nominal Diameter (inches)	Tolerances (inches)
0.500 (1/2) through 0.625 (5/8)	+0.0000/-0.0004
0.750 (3/4) through 1.125 (1 1/8)	+0.0000/-0.0005
1.250 (1 1/4) through 1.875 (1 7/8)	+0.0000/-0.0006
2.000 (2) through 3.125 (3 1/8)	+0.0000/-0.0007
3.250 (3 1/4) through 4.625 (4 5/8)	+0.0000/-0.0009
4.750 (4 3/4) through 7.000 (7)	+0.0000/-0.0010

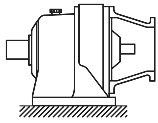
All dimensions are in inches

Speed Reducers

Dimensions

Model CHHJ	A	B	C	D	E	E1	F	F1	G	H	J	O1	O	P	BW
6160/5DCY	16.14	9.37	18.19	6.299	7.28	0.79	5.91	1.73	0.98	0.71	2.95	-	13.74	11.81	5.47
6170/5DCY	16.93	13.19	20.04	7.874	7.48	0.98	10.83	1.18	1.18	0.87	3.15	-	16.38	13.39	4.92
6180/5DBY	18.50	14.96	22.72	8.661	8.27	0.98	12.60	1.18	1.18	0.87	3.35	-	17.76	14.57	5.71
6190/5DAY	20.87	17.32	24.76	9.843	9.45	0.98	14.96	1.18	1.38	1.02	3.54	-	20.91	16.93	6.69
6190/5DBY	20.87	17.32	25.71	9.843	9.45	0.98	14.96	1.18	1.38	1.02	3.54	-	20.91	16.93	6.69
6205DAY	20.87	17.32	26.38	9.843	8.66	1.77	14.17	1.57	1.38	1.02	3.94	-	20.87	17.64	8.46
6205DBY	20.87	17.32	27.76	9.843	8.66	1.77	14.17	1.57	1.38	1.02	3.94	-	20.87	17.64	8.46
6215DAY	22.83	18.70	28.78	10.433	9.45	1.97	15.55	1.57	1.57	1.02	4.33	-	22.64	19.09	8.27
6215DBY	22.83	18.70	30.71	10.433	9.45	1.97	15.55	1.57	1.57	1.02	4.33	-	22.64	19.09	8.27
6225DAY	24.41	20.47	30.43	11.024	10.63	1.57	16.54	1.97	1.57	1.30	4.53	-	24.02	20.71	9.06
6225DBY	24.41	20.47	33.86	11.024	10.63	1.57	16.54	1.97	1.57	1.30	4.53	-	24.02	20.71	9.06

Model CHHJ	Low Speed Shaft					High Speed Shaft		
	U*	V	S	L1	Key	XU*	XV	Key
6160/5DCY	2.250	3.54	3/8-16UNC	0.71	1/2 X 1/2 X 2.95	0.750	1.38	3/16 X 3/16 X 1.02
6170/5DCY	2.750	3.54	1/2-13UNC	0.94	5/8 X 5/8 X 3.15	0.750	1.38	3/16 X 3/16 X 1.02
6180/5DBY	3.125	4.33	1/2-13UNC	0.94	3/4 X 3/4 X 3.74	0.875	1.57	3/16 X 3/16 X 1.38
6190/5DAY	3.625	5.31	3/4-10UNC	1.34	7/8 X 7/8 X 4.92	0.750	1.38	3/16 X 3/16 X 1.02
6190/5DBY	3.625	5.31	3/4-10UNC	1.34	7/8 X 7/8 X 4.92	0.875	1.57	3/16 X 3/16 X 1.38
6205DAY	3.875	6.50	3/4-10UNC	1.34	1 X 1 X 6.50	0.750	1.38	3/16 X 3/16 X 1.02
6205DBY	3.875	6.50	3/4-10UNC	1.34	1 X 1 X 6.50	0.875	1.57	3/16 X 3/16 X 1.38
6215DAY	4.250	6.50	3/4-10UNC	1.34	1 X 1 X 6.50	0.875	1.57	3/16 X 3/16 X 1.38
6215DBY	4.250	6.50	3/4-10UNC	1.34	1 X 1 X 6.50	1.125	1.77	1/4 X 1/4 X 1.77
6225DAY	4.625	6.50	3/4-10UNC	1.34	1-1/4 X 7/8 X 6.5	0.875	1.57	3/16 X 3/16 X 1.38
6225DBY	4.625	6.50	3/4-10UNC	1.34	1-1/4 X 7/8 X 6.5	1.375	2.17	5/16 X 5/16 X 2.16



Dimensions Foot Mount, C-Face

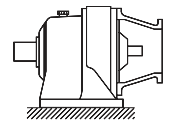
Double Reduction CHHJ-6160/5DCY ▶ 6225DBY (cont.)

All dimensions are in inches

Model CHHJ	Motor Frame	AJ	AK	BD	BB	BF	R	CE	XJ	Z	Min. I.D.	Approx Wt. (lb)
6160/5DCY	56C~145TC	5.88	4.500	6.69	-	0.43	4	20.81	2.63	0.47	4.21	217
	182TC~184TC	7.25	8.500	8.98	0.22	0.55	4	21.56	3.37	0.47	5.43	221
6170/5DCY	56C~145TC	5.88	4.500	6.69	-	0.43	4	22.67	2.63	0.47	4.21	292
	182TC~184TC	7.25	8.500	8.98	0.22	0.55	4	23.41	3.37	0.47	5.43	295
6180/5DBY	56C~145TC	5.88	4.500	6.69	-	0.43	4	25.34	2.63	0.47	4.21	416
	182TC~184TC	7.25	8.500	8.98	0.22	0.55	4	26.09	3.37	0.47	5.43	419
	213TC~215TC	7.25	8.500	8.98	0.22	0.55	4	26.72	4.00	1.10	5.43	427
	254TC~256TC	7.25	8.500	8.98	0.22	0.55	4	27.65	4.93	0.57	5.08	428
6190/5DAY	56C~145TC	5.88	4.500	6.69	-	0.43	4	27.39	2.63	0.47	4.21	541
	182TC~184TC	7.25	8.500	8.98	0.22	0.55	4	28.13	3.37	0.47	5.43	545
6190/5DBY	56C~145TC	5.88	4.500	6.69	-	0.43	4	28.33	2.63	0.47	4.21	563
	182TC~184TC	7.25	8.500	8.98	0.22	0.55	4	29.08	3.37	0.47	5.43	567
	213TC~215TC	7.25	8.500	8.98	0.22	0.55	4	29.71	4.00	1.10	5.43	574
	254TC~256TC	7.25	8.500	8.98	0.22	0.55	4	30.64	4.93	0.57	5.08	576
6205DAY	56C~145TC	5.88	4.500	6.69	-	0.43	4	29.00	2.63	0.47	4.21	583
	182TC~184TC	7.25	8.500	8.98	0.22	0.55	4	29.75	3.37	0.47	5.43	587
6205DBY	56C~145TC	5.88	4.500	6.69	-	0.43	4	30.38	2.63	0.47	4.21	614
	182TC~184TC	7.25	8.500	8.98	0.22	0.55	4	31.13	3.37	0.47	5.43	618
	213TC~215TC	7.25	8.500	8.98	0.22	0.55	4	31.76	4.00	1.10	5.43	625
	254TC~256TC	7.25	8.500	8.98	0.22	0.55	4	32.69	4.93	0.57	5.08	626
6215DAY	56C~145TC	5.88	4.500	6.69	-	0.43	4	31.41	2.63	0.47	4.21	793
	182TC~184TC	7.25	8.500	8.98	0.22	0.55	4	32.15	3.37	0.47	5.43	796
	213TC~215TC	7.25	8.500	8.98	0.22	0.55	4	32.78	4.00	1.10	5.43	804
	254TC~256TC	7.25	8.500	8.98	0.22	0.55	4	33.71	4.93	0.57	5.08	805
6215DBY	56C~145TC	5.88	4.500	6.69	-	0.43	4	33.33	2.63	0.47	4.21	871
	182TC~184TC	7.25	8.500	8.98	0.22	0.55	4	34.08	3.37	0.57	5.71	875
	213TC~215TC	7.25	8.500	8.98	0.22	0.55	4	34.71	4.00	1.20	5.71	882
	254TC~256TC	7.25	8.500	8.98	0.22	0.55	4	35.46	4.75	0.57	5.71	878
6225DAY	56C~145TC	5.88	4.500	6.69	-	0.43	4	33.06	2.63	0.47	4.21	958
	182TC~184TC	7.25	8.500	8.98	0.22	0.55	4	33.81	3.37	0.47	5.43	962
	213TC~215TC	7.25	8.500	8.98	0.22	0.55	4	34.43	4.00	1.10	5.43	969
	254TC~256TC	7.25	8.500	8.98	0.22	0.55	4	35.36	4.93	0.57	5.08	970
6225DBY	182TC~184TC	7.25	8.500	8.98	0.22	0.55	4	37.24	3.38	0.57	5.71	1088
	213TC~215TC	7.25	8.500	8.98	0.22	0.55	4	37.86	4.00	1.20	5.71	1095
	254TC~256TC	7.25	8.500	8.98	0.22	0.55	4	38.61	4.75	0.57	5.71	1090
	284TC~286TC	9.00	10.500	11.10	0.22	0.55	4	39.30	5.44	0.57	7.87	1101

Speed Reducers

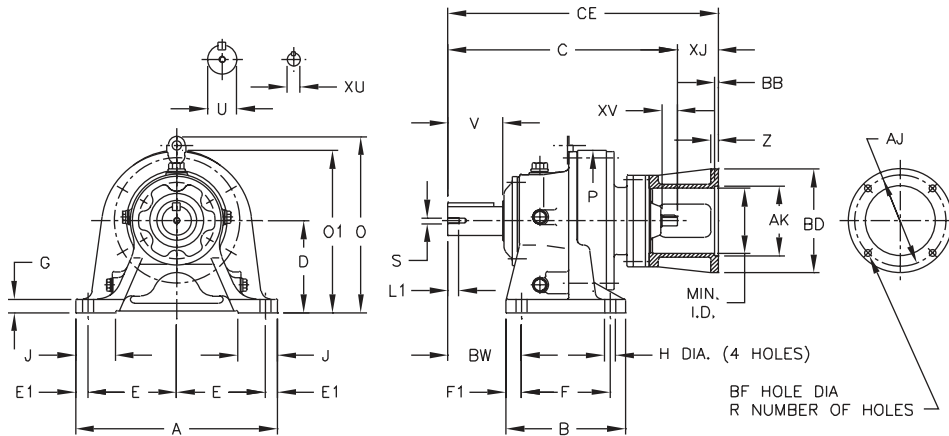
Dimensions



Dimensions Foot Mount, C-Face

Double Reduction

CHHJ-6235DAY ▶ 6275DAY



***Shaft Tolerances**

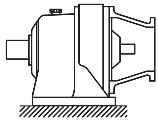
Shaft Nominal Diameter (inches)	Tolerances (inches)
0.500 (1/2) through 0.625 (5/8)	+0.0000/-0.0004
0.750 (3/4) through 1.125 (1 1/8)	+0.0000/-0.0005
1.250 (1 1/4) through 1.875 (1 7/8)	+0.0000/-0.0006
2.000 (2) through 3.125 (3 1/8)	+0.0000/-0.0007
3.250 (3 1/4) through 4.625 (4 5/8)	+0.0000/-0.0009
4.750 (4 3/4) through 7.000 (7)	+0.0000/-0.0010

Speed Reducers All dimensions are in inches

Dimensions

Model CHHJ	A	B	C	D	E	E1	F	F1	G	H	J	O1	O	P	BW
6235DAY	26.38	22.05	34.76	11.811	11.42	1.77	18.11	1.97	1.77	1.30	4.72	-	26.26	22.13	10.24
6235DBY	26.38	22.05	36.93	11.811	11.42	1.77	18.11	1.97	1.77	1.30	4.72	-	26.26	22.13	10.24
6245DAY	28.35	22.83	36.26	13.189	12.40	1.77	18.90	1.97	1.77	1.54	5.04	-	28.70	24.17	10.35
6245DBY	28.35	22.83	38.39	13.189	12.40	1.77	18.90	1.97	1.77	1.54	5.04	-	28.70	24.17	10.35
6255DAY	30.71	24.80	42.56	14.764	13.19	2.17	20.47	2.17	1.97	1.54	5.51	-	32.09	26.38	12.60
6255DBY	30.71	24.80	44.61	14.764	13.19	2.17	20.47	2.17	1.97	1.54	5.51	-	32.09	26.38	12.60
6265DAY	34.65	27.56	48.94	15.748	15.16	2.17	23.23	2.17	2.17	1.77	6.30	-	34.41	28.98	15.35
6275DAY	45.67	40.94	59.21	21.260	20.67	2.17	16.54	3.94	2.36	1.77	7.87	-	45.71	37.40	19.09

Model CHHJ	Low Speed Shaft					High Speed Shaft		
	U*	V	S	L1	Key	XU*	XV	Key
6235DAY	5.000	7.87	1-8UNC	1.61	1-1/4 X 7/8 X 7.87	1.125	1.77	1/4 X 1/4 X 1.77
6235DBY	5.000	7.87	1-8UNC	1.61	1-1/4 X 7/8 X 7.87	1.500	2.56	3/8 X 3/8 X 2.56
6245DAY	5.500	7.87	1-8UNC	1.61	1-1/4 X 7/8 X 7.87	1.125	1.77	1/4 X 1/4 X 1.77
6245DBY	5.500	7.87	1-8UNC	1.61	1-1/4 X 7/8 X 7.87	1.500	2.56	3/8 X 3/8 X 2.56
6255DAY	6.250	9.45	1-1/4-7UNC	1.93	1-1/2 X 1 X 9.45	1.375	2.17	5/16 X 5/16 X 2.16
6255DBY	6.250	9.45	1-1/4-7UNC	1.93	1-1/2 X 1 X 9.45	1.750	2.76	3/8 X 3/8 X 2.76
6265DAY	6.625	11.81	1-1/4-7UNC	1.93	1-3/4 X 1-1/4 X 11.8	1.750	2.76	3/8 X 3/8 X 2.76
6275DAY	7.000	13.00	1-1/4-7UNC	2.05	1-3/4 X 1-1/4 X 13	1.750	2.76	3/8 X 3/8 X 2.76



Dimensions Foot Mount, C-Face

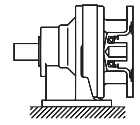
Double Reduction CHHJ-6235DAY ▶ 6275DAY (cont.)

All dimensions are in inches

Model CHHJ	Motor Frame	AJ	AK	BD	BB	BF	R	CE	XJ	Z	Min. I.D.	Approx Wt. (lb)
6235DAY	56C~145TC	5.88	4.500	6.69	-	0.43	4	37.39	2.63	0.47	4.21	1250
	182TC~184TC	7.25	8.500	8.98	0.22	0.55	4	38.14	3.37	0.57	5.71	1254
	213TC~215TC	7.25	8.500	8.98	0.22	0.55	4	38.76	4.00	1.20	5.71	1262
	254TC~256TC	7.25	8.500	8.98	0.22	0.55	4	39.52	4.75	0.57	5.71	1257
6235DBY	182TC~184TC	7.25	8.500	8.98	0.22	0.55	4	40.43	3.50	0.57	5.71	1331
	213TC~215TC	7.25	8.500	8.98	0.22	0.55	4	40.93	4.00	1.07	5.71	1337
	254TC~256TC	7.25	8.500	8.98	0.22	0.55	4	41.68	4.75	0.57	5.71	1345
	284TC~286TC	9.00	10.500	11.10	0.22	0.55	4	42.37	5.44	0.57	7.87	1340
	324TC~326TC	11.00	12.500	13.86	0.22	0.71	4	43.43	6.50	0.57	7.87	1344
6245DAY	56C~145TC	5.88	4.500	6.69	-	0.43	4	38.89	2.63	0.47	4.21	1488
	182TC~184TC	7.25	8.500	8.98	0.22	0.55	4	39.63	3.37	0.57	5.71	1493
	213TC~215TC	7.25	8.500	8.98	0.22	0.55	4	40.26	4.00	1.20	5.71	1500
	254TC~256TC	7.25	8.500	8.98	0.22	0.55	4	41.01	4.75	0.57	5.71	1495
6245DBY	182TC~184TC	7.25	8.500	8.98	0.22	0.55	4	41.89	3.50	0.57	5.71	1560
	213TC~215TC	7.25	8.500	8.98	0.22	0.55	4	42.39	4.00	1.07	5.71	1566
	254TC~256TC	7.25	8.500	8.98	0.22	0.55	4	43.14	4.75	0.57	5.71	1574
	284TC~286TC	9.00	10.500	11.10	0.22	0.55	4	43.82	5.44	0.57	7.87	1569
	324TC~326TC	11.00	12.500	13.86	0.22	0.71	4	44.89	6.50	0.57	7.87	1573
6255DAY	182TC~184TC	7.25	8.500	8.98	0.22	0.55	4	45.94	3.38	0.57	5.71	2265
	213TC~215TC	7.25	8.500	8.98	0.22	0.55	4	46.56	4.00	1.20	5.71	2271
	254TC~256TC	7.25	8.500	8.98	0.22	0.55	4	47.31	4.75	0.57	5.71	2267
	284TC~286TC	9.00	10.500	11.10	0.22	0.55	4	48.00	5.44	0.57	7.87	2278
6255DBY	213TC~215TC	7.25	8.500	8.98	0.22	0.55	4	48.73	4.13	1.29	5.71	2462
	254TC~256TC	7.25	8.500	8.98	0.22	0.55	4	49.36	4.75	0.57	5.71	2455
	284TC~286TC	9.00	10.500	11.10	0.22	0.55	4	50.04	5.44	0.57	7.87	2464
	324TC~326TC	11.00	12.500	13.86	0.22	0.71	4	51.11	6.50	0.57	7.87	2489
6265DAY	213TC~215TC	7.25	8.500	8.98	0.22	0.55	4	53.06	4.13	1.29	5.71	3025
	254TC~256TC	7.25	8.500	8.98	0.22	0.55	4	53.69	4.75	0.57	5.71	3018
	284TC~286TC	9.00	10.500	11.10	0.22	0.55	4	54.37	5.44	0.57	7.87	3026
	324TC~326TC	11.00	12.500	13.86	0.22	0.71	4	55.44	6.50	0.57	7.87	3051
6275DAY	213TC~215TC	7.25	8.500	8.98	0.22	0.55	4	63.34	4.13	1.29	5.71	5538
	254TC~256TC	7.25	8.500	8.98	0.22	0.55	4	63.96	4.75	0.57	5.71	5531
	284TC~286TC	9.00	10.500	11.10	0.22	0.55	4	64.65	5.44	0.57	7.87	5540
	324TC~326TC	11.00	12.500	13.86	0.22	0.71	4	65.71	6.50	0.57	7.87	5565

Speed Reducers

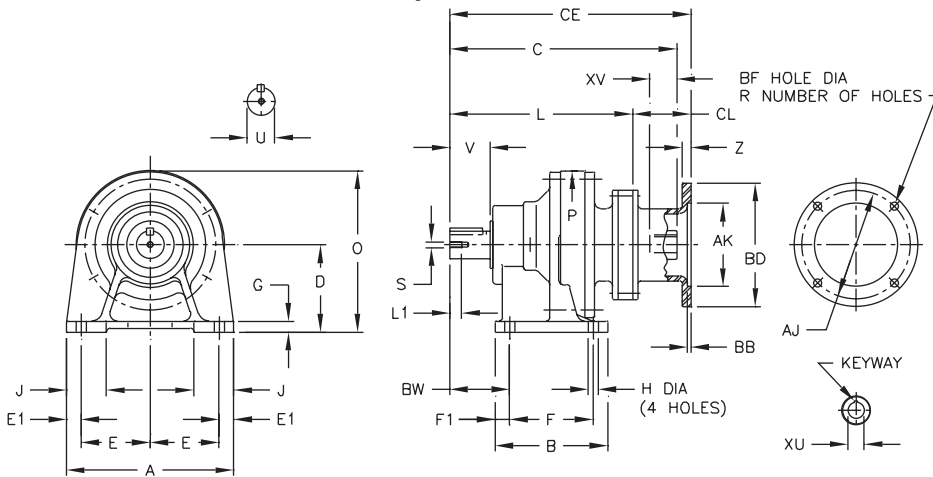
Dimensions



Dimensions Foot Mount, Hollow Input

Double Reduction

CNHX-6065DAY ▶ 6140/5DCY



***Shaft Tolerances**

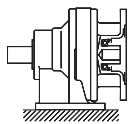
Shaft Nominal Diameter (inches)	Tolerances (inches)
0.500 (1/2) through 0.625 (5/8)	+0.0000/-0.0004
0.750 (3/4) through 1.125 (1 1/8)	+0.0000/-0.0005
1.250 (1 1/4) through 1.875 (1 7/8)	+0.0000/-0.0006

All dimensions are in inches

Model CNHX	A	B	L	D	E	E1	F	F1	G	H	J	O	P	BW
6065DAY	5.67	3.31	4.92	3.150	2.36	0.47	2.36	0.47	0.39	0.35	1.38	5.31	4.33	1.61
6075DAY	5.67	3.31	5.16	3.150	2.36	0.47	2.36	0.47	0.39	0.35	1.38	5.31	4.33	1.85
6095DAY	7.09	5.31	7.48	3.937	2.95	0.59	3.54	0.59	0.47	0.43	1.57	6.89	5.91	2.36
6105DAY	7.09	5.31	8.03	3.937	2.95	0.59	3.54	0.59	0.47	0.43	1.57	6.89	5.91	2.36
6125DBY	9.06	6.10	9.92	4.724	3.74	0.79	4.53	0.79	0.59	0.55	2.17	8.74	8.03	3.23
6130/5DAY	12.99	7.68	11.58	5.906	5.71	0.79	5.71	0.98	0.87	0.71	2.56	11.81	9.06	3.94
6130/5DBY	12.99	7.68	11.94	5.906	5.71	0.79	5.71	0.98	0.87	0.71	2.56	11.81	9.06	3.94
6130/5DCY	12.99	7.68	12.48	5.906	5.71	0.79	5.71	0.98	0.87	0.71	2.56	11.81	9.06	3.94
6140/5DAY	12.99	7.68	12.36	5.906	5.71	0.79	5.71	0.98	0.87	0.71	2.56	11.81	9.06	4.72
6140/5DBY	12.99	7.68	12.72	5.906	5.71	0.79	5.71	0.98	0.87	0.71	2.56	11.81	9.06	4.72
6140/5DCY	12.99	7.68	13.26	5.906	5.71	0.79	5.71	0.98	0.87	0.71	2.56	11.81	9.06	4.72

Model CNHX	U*	V	Low Speed Shaft		Key
			S	L1	
6065DAY	0.500	0.98	10-32UNF	0.63	1/8 X 1/8 X .79
6075DAY	0.750	1.18	12-28UNF	0.63	3/16 X 3/16 X 1.06
6095DAY	1.125	1.38	5/16-18UNC	0.79	1/4 X 1/4 X 1.18
6105DAY	1.125	1.38	5/16-18UNC	0.79	1/4 X 1/4 X 1.18
6125DBY	1.500	2.17	5/16-18UNC	0.79	3/8 X 3/8 X 1.77
6130/5DAY	1.875	2.76	3/8-16UNC	0.71	1/2 X 1/2 X 2.16
6130/5DBY	1.875	2.76	3/8-16UNC	0.71	1/2 X 1/2 X 2.16
6130/5DCY	1.875	2.76	3/8-16UNC	0.71	1/2 X 1/2 X 2.16
6140/5DAY	1.875	3.54	3/8-16UNC	0.71	1/2 X 1/2 X 2.95
6140/5DBY	1.875	3.54	3/8-16UNC	0.71	1/2 X 1/2 X 2.95
6140/5DCY	1.875	3.54	3/8-16UNC	0.71	1/2 X 1/2 X 2.95

Note: [1] Center height "D" for 6065DAY and 6075DAY is less than the radius of motor flange diameter half of "BD" (frame 56C).



Dimensions Foot Mount, Hollow Input

Double Reduction CNHX-6065DAY ▶ 6140/5DCY (cont.)

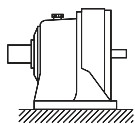
All dimensions are in inches

Model CNHX	Motor Frame	AJ	AK	BD	BB	BF	R	CE	CL	C	Z	High Speed Shaft			Approx Wt. (lb)	
												XU	XV	Keyway		
6065DAY	56C	5.88	4.50	6.69 ⁽¹⁾	0.20	0.43	4	7.91	2.99	6.89	0.47	0.625	+0.0007 -0.00000	1.10	3/16 x 3/32	13
6075DAY	56C	5.88	4.50	6.69 ⁽¹⁾	0.20	0.43	4	8.15	2.99	7.13	0.47	0.625	+0.0007 -0.00000	1.10	3/16 x 3/32	14
6095DAY	56C	5.88	4.50	6.69	0.20	0.43	4	10.47	2.99	9.45	0.47	0.625	+0.0007 -0.00000	1.10	3/16 x 3/32	32
6105DAY	56C	5.88	4.50	6.69	0.20	0.43	4	11.02	2.99	10.00	0.47	0.625	+0.0007 -0.00000	1.10	3/16 x 3/32	38
6125DBY	56C	5.88	4.50	6.69	0.20	0.43	4	13.27	3.35	12.24	0.47	0.625	+0.0007 -0.00000	1.18	3/16 x 3/32	68
	143-145TC	5.88	4.50	6.69	0.20	0.43	4	13.27	3.35	12.64	0.47	0.875	+0.0008 -0.00000	1.57	3/16 x 3/32	68
6130/5DAY	56C	5.88	4.50	6.69	-	0.43	4	14.57	2.99	13.55	0.47	0.625	+0.0007 -0.00000	1.10	3/16 x 3/32	95
6130/5DBY	56C	5.88	4.50	6.69	-	0.43	4	15.29	3.35	14.42	0.47	0.625	+0.0007 -0.00000	1.18	3/16 x 3/32	104
	143-145TC	5.88	4.50	6.69	-	0.43	4	15.29	3.35	14.65	0.47	0.875	+0.0008 -0.00000	1.57	3/16 x 3/32	104
6130/5DCY	56C	5.88	4.50	6.69	0.20	0.43	4	15.63	3.15	14.57	0.47	0.625	+0.0007 -0.00000	1.18	3/16 x 3/32	101
	143-145TC	5.88	4.50	6.69	0.20	0.43	4	15.63	3.15	15.04	0.47	0.875	+0.0008 -0.00000	1.65	3/16 x 3/32	106
6140/5DAY	56C	5.88	4.50	6.69	-	0.43	4	15.35	2.99	14.33	0.47	0.625	+0.0007 -0.00000	1.10	3/16 x 3/32	95
6140/5DBY	56C	5.88	4.50	6.69	0.20	0.43	4	16.06	3.35	15.20	0.47	0.625	+0.0007 -0.00000	1.18	3/16 x 3/32	104
	143-145TC	5.88	4.50	6.69	0.20	0.43	4	16.06	3.35	15.43	0.47	0.875	+0.0008 -0.00000	1.57	3/16 x 3/32	104
6140/5DCY	56C	5.88	4.50	6.69	-	0.43	4	16.41	3.15	15.35	0.47	0.625	+0.0007 -0.00000	1.18	3/16 x 3/32	101
	143-145TC	5.88	4.50	6.69	-	0.43	4	16.41	3.15	15.82	0.47	0.875	+0.0008 -0.00000	1.65	3/16 x 3/32	106

Speed Reducers

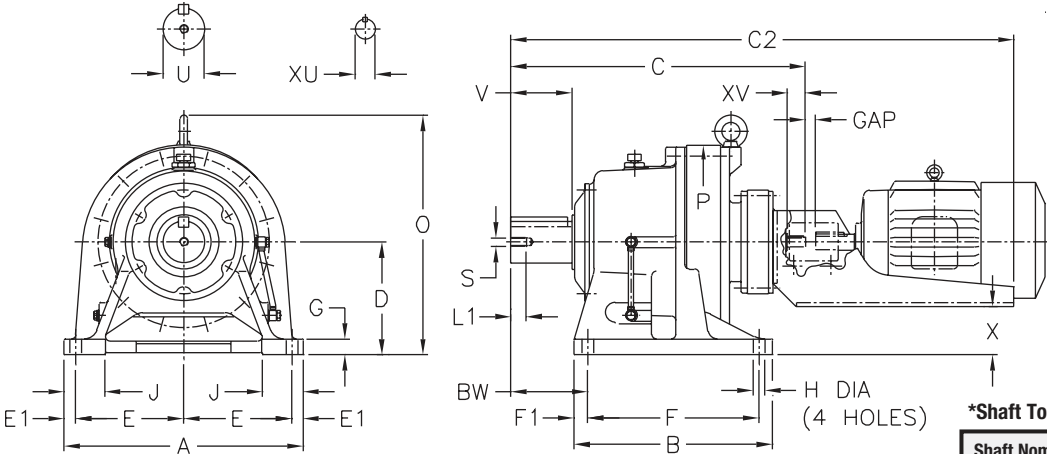
Dimensions

This page intentionally left blank.



Dimensions Foot Mount, Shovel Base

Double Reduction CHH-6160/5DCY ▶ 6190/5DBY-SB



***Shaft Tolerances**

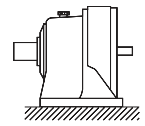
Shaft Nominal Diameter (inches)	Tolerances (inches)
0.500 (1/2) through 0.625 (5/8)	+0.0000/-0.0004
0.750 (3/4) through 1.125 (1 1/8)	+0.0000/-0.0005
1.250 (1 1/4) through 1.875 (1 7/8)	+0.0000/-0.0006
2.000 (2) through 3.125 (3 1/8)	+0.0000/-0.0007
3.250 (3 1/4) through 4.625 (4 5/8)	+0.0000/-0.0009
4.750 (4 3/4) through 7.000 (7)	+0.0000/-0.0010

All dimensions are in inches

Model CHH	A	B	C	D	E	E1	F	F1	G	H	J	O	P	BW
6160/5DCY-SB	16.14	9.37	18.19	6.299	7.28	0.79	5.91	1.73	0.98	0.71	2.95	13.74	11.81	5.47
6170/5DCY-SB	16.93	13.19	20.04	7.874	7.48	0.98	10.83	1.18	1.18	0.87	3.15	16.38	13.39	4.92
6180/5DBY-SB	18.50	14.96	22.72	8.661	8.27	0.98	12.60	1.18	1.18	0.87	3.35	17.76	14.57	5.71
6190/5DAY-SB	20.87	17.32	24.76	9.843	9.45	0.98	14.96	1.18	1.38	1.02	3.54	20.91	16.93	6.69
6190/5DBY-SB	20.87	17.32	25.71	9.843	9.45	0.98	14.96	1.18	1.38	1.02	3.54	20.91	16.93	6.69

Model CHH	U*	V	Low Speed Shaft			High Speed Shaft		
			S	L1	Key	XU*	XV	Key
6160/5DCY-SB	2.250	3.54	3/8-16UNC	0.71	1/2 X 1/2 X 2.95	0.750	1.38	3/16 X 3/16 X 1.02
6170/5DCY-SB	2.750	3.54	1/2-13UNC	0.94	5/8 X 5/8 X 3.15	0.750	1.38	3/16 X 3/16 X 1.02
6180/5DBY-SB	3.125	4.33	1/2-13UNC	0.94	3/4 X 3/4 X 3.74	0.875	1.57	3/16 X 3/16 X 1.38
6190/5DAY-SB	3.625	5.31	3/4-10UNC	1.34	7/8 X 7/8 X 4.92	0.750	1.38	3/16 X 3/16 X 1.02
6190/5DBY-SB	3.625	5.31	3/4-10UNC	1.34	7/8 X 7/8 X 4.92	0.875	1.57	3/16 X 3/16 X 1.38

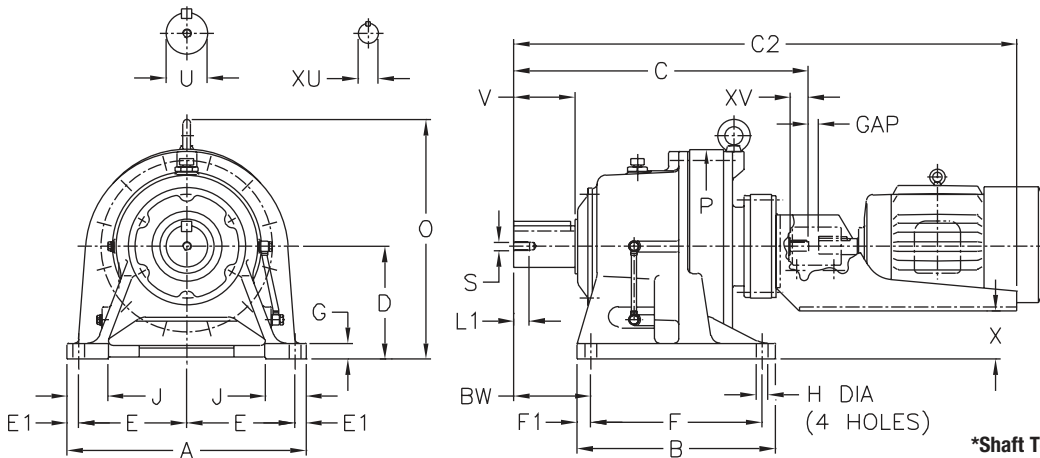
Model CHH	Dimensions	143T	145T	182T	184T	213T	215T	254T	256T	284T	286T	324T	326T	364T	365T
6160/5DCY-SB	C2			32.24	32.24										
	GAP		0.50 0.52	0.71											
	X			1.40	1.40										
	Weight w/o Motor			239	237										
6170/5DCY-SB	C2			34.09	34.09										
	GAP		0.50 0.52	0.71											
	X			2.97	2.97										
	Weight w/o Motor			314	312										
6180/5DBY-SB	C2			40.91	40.91	40.91									
	GAP		0.50 0.52	0.71	0.88										
	X			2.97	2.97										
	Weight w/o Motor			480	455	452									
6190/5DAY-SB	C2			38.82	38.82										
	GAP		0.50 0.52	0.71											
	X			4.94	4.94										
	Weight w/o Motor			564	562										
6190/5DBY-SB	C2			43.90	43.90	43.90									
	GAP		0.50 0.52	0.71	0.88										
	X			4.15	4.15										
	Weight w/o Motor			628	602	599									



Dimensions Foot Mount, Shovel Base

Double Reduction

CHH-6205DBY ▶ 6275DAY-SB



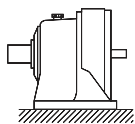
*Shaft Tolerances

Shaft Nominal Diameter (inches)	Tolerances (inches)
0.500 (1/2) through 0.625 (5/8)	+0.0000/-0.0004
0.750 (3/4) through 1.125 (1 1/8)	+0.0000/-0.0005
1.250 (1 1/4) through 1.875 (1 7/8)	+0.0000/-0.0006
2.000 (2) through 3.125 (3 1/8)	+0.0000/-0.0007
3.250 (3 1/4) through 4.625 (4 5/8)	+0.0000/-0.0009
4.750 (4 3/4) through 7.000 (7)	+0.0000/-0.0010

All dimensions are in inches

Model CHH	A	B	C	D	E	E1	F	F1	G	H	J	O	P	BW
6205DAY-SB	20.87	17.32	26.38	9.843	8.66	1.77	14.17	1.57	1.38	1.02	3.94	20.87	17.64	8.46
6205DBY-SB	20.87	17.32	27.76	9.843	8.66	1.77	14.17	1.57	1.38	1.02	3.94	20.87	17.64	8.46
6215DAY-SB	22.83	18.70	28.78	10.433	9.45	1.97	15.55	1.57	1.57	1.02	4.33	22.64	19.09	8.27
6215DBY-SB	22.83	18.70	30.71	10.433	9.45	1.97	15.55	1.57	1.57	1.02	4.33	22.64	19.09	8.27
6225DAY-SB	24.41	20.47	30.43	11.024	10.63	1.57	16.54	1.97	1.57	1.30	4.53	24.02	20.71	9.06
6225DBY-SB	24.41	20.47	33.86	11.024	10.63	1.57	16.54	1.97	1.57	1.30	4.53	24.02	20.71	9.06
6235DAY-SB	26.38	22.05	34.76	11.811	11.42	1.77	18.11	1.97	1.77	1.30	4.72	26.26	22.13	10.24
6235DBY-SB	26.38	22.05	36.93	11.811	11.42	1.77	18.11	1.97	1.77	1.30	4.72	26.26	22.13	10.24
6245DAY-SB	28.35	22.83	36.26	13.189	12.40	1.77	18.90	1.97	1.77	1.54	5.04	28.70	24.17	10.35
6245DBY-SB	28.35	22.83	38.39	13.189	12.40	1.77	18.90	1.97	1.77	1.54	5.04	28.70	24.17	10.35
6255DAY-SB	30.71	24.80	42.56	14.764	13.19	2.17	20.47	2.17	1.97	1.54	5.51	32.09	26.38	12.60
6255DBY-SB	30.71	24.80	44.61	14.764	13.19	2.17	20.47	2.17	1.97	1.54	5.51	32.09	26.38	12.60
6265DAY-SB	34.65	27.56	48.94	15.748	15.16	2.17	23.23	2.17	2.17	1.77	6.30	34.41	28.98	15.35
6275DAY-SB	45.67	40.94	59.21	21.260	20.67	2.17	16.54	3.94	2.36	1.77	7.87	45.71	37.40	19.09

Model CHH	Low Speed Shaft				High Speed Shaft			
	U*	V	S	L1	Key	XU*	XV	Key
6205DAY-SB	3.875	6.50	3/4-10UNC	1.34	1 X 1 X 6.50	0.750	1.38	3/16 X 3/16 X 1.02
6205DBY-SB	3.875	6.50	3/4-10UNC	1.34	1 X 1 X 6.50	0.875	1.57	3/16 X 3/16 X 1.38
6215DAY-SB	4.250	6.50	3/4-10UNC	1.34	1 X 1 X 6.50	0.875	1.57	3/16 X 3/16 X 1.38
6215DBY-SB	4.250	6.50	3/4-10UNC	1.34	1 X 1 X 6.50	1.125	1.77	1/4 X 1/4 X 1.77
6225DAY-SB	4.625	6.50	3/4-10UNC	1.34	1-1/4 X 7/8 X 6.5	0.875	1.57	3/16 X 3/16 X 1.38
6225DBY-SB	4.625	6.50	3/4-10UNC	1.34	1-1/4 X 7/8 X 6.5	1.375	2.17	5/16 X 5/16 X 2.16
6235DAY-SB	5.000	7.87	1-8UNC	1.61	1-1/4 X 7/8 X 7.87	1.125	1.77	1/4 X 1/4 X 1.77
6235DBY-SB	5.000	7.87	1-8UNC	1.61	1-1/4 X 7/8 X 7.87	1.500	2.56	3/8 X 3/8 X 2.56
6245DAY-SB	5.500	7.87	1-8UNC	1.61	1-1/4 X 7/8 X 7.87	1.125	1.77	1/4 X 1/4 X 1.77
6245DBY-SB	5.500	7.87	1-8UNC	1.61	1-1/4 X 7/8 X 7.87	1.500	2.56	3/8 X 3/8 X 2.56
6255DAY-SB	6.250	9.45	1-1/4-7UNC	1.93	1-1/2 X 1 X 9.45	1.375	2.17	5/16 X 5/16 X 2.16
6255DBY-SB	6.250	9.45	1-1/4-7UNC	1.93	1-1/2 X 1 X 9.45	1.750	2.76	3/8 X 3/8 X 2.76
6265DAY-SB	6.625	11.81	1-1/4-7UNC	1.93	1-3/4 X 1-1/4 X 11.8	1.750	2.76	3/8 X 3/8 X 2.76
6275DAY-SB	7.000	13.00	1-1/4-7UNC	2.05	1-3/4 X 1-1/4 X 13	1.750	2.76	3/8 X 3/8 X 2.76



Dimensions Foot Mount, Shovel Base

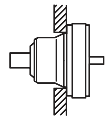
Double Reduction CHH-6205DBY ▶ 6275DAY-SB (cont.)

All dimensions are in inches

Model	Dimensions	143T	145T	182T	184T	213T	215T	254T	256T	284T	286T	324T	326T
6205DAY	C2		45.94	45.94		45.94							
	GAP		0.52	0.71		0.88							
	X		4.15	4.15		4.15							
	Weight w/o Motor		678	653		650							
6205DBY	C2		46.97	46.97		46.97							
	GAP		0.52	0.71		0.88							
	X		4.74	4.74		4.74							
	Weight w/o Motor		857	832		829							
6215DAY	C2		42.49	42.49		46.99							
	GAP		0.50	0.75		0.88							
	X		5.39	5.39		4.83							
	Weight w/o Motor		873	848		845							
6215DBY	C2					52.13		52.13					
	GAP					0.88		1.00					
	X					3.76		3.76					
	Weight w/o Motor					894		889					
6225DAY	C2		48.62	48.62		48.62		52.64					
	GAP		0.52	0.71		0.88		1.00					
	X		5.33	5.33		5.33		4.35					
	Weight w/o Motor		1022	997		994		1005					
6225DBY	C2					52.91		58.50					
	GAP					0.88		1.00					
	X					5.33		3.48					
	Weight w/o Motor					1100		1164					
6235DAY	C2			51.18		56.18		56.18					
	GAP			0.71		0.88		1.00					
	X			6.87		5.14		5.14					
	Weight w/o Motor			1252		1274		1269					
6235DBY	C2					56.22		62.20		62.20			
	GAP					0.88		1.00		1.00			
	X					6.12		4.26		4.26			
	Weight w/o Motor					1355		1408		1400			
6245DAY	C2				52.68	57.68		57.68					
	GAP				0.71	0.88		1.00					
	X				8.25	6.52		6.52					
	Weight w/o Motor				1490	1512		1507					
6245DBY	C2					57.68		63.66		63.66			
	GAP					0.88		1.00		1.00			
	X					7.50		5.64		5.64			
	Weight w/o Motor					1584		1637		1629			
6255DAY	C2				58.19	61.61		67.20		67.20			
	GAP				0.71	0.88		1.00		1.00			
	X				9.82	9.07		7.22		7.22			
	Weight w/o Motor				2270	2278		2341		2333			
6255DBY	C2							67.20		72.28		72.28	
	GAP							1.00		1.00		1.50	
	X							8.09		6.19		6.19	
	Weight w/o Motor							2493		2552		2542	
6265DAY	C2					71.54		71.54		76.61		76.59	
	GAP					1.00		1.00		1.00		1.50	
	X					9.07		9.07		7.18		7.18	
	Weight w/o Motor					3060		3055		3114		3104	
6275DAY	C2					81.81		81.81		86.89		86.89	
	GAP					1.00		1.00		1.00		1.50	
	X					14.59		14.59		12.69		12.69	
	Weight w/o Motor					5574		5569		5628		5618	

Speed Reducers

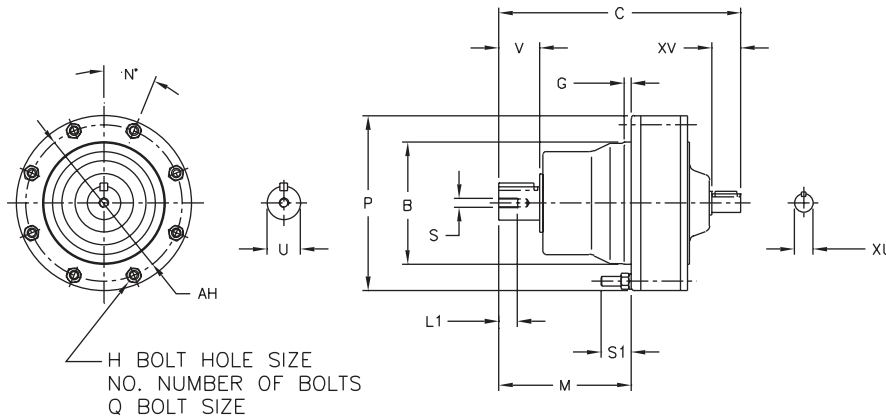
Dimensions



Dimensions Universal F-Flange Mount

Single Reduction

CNF-6060/5Y ▶ 6120/5Y



***Shaft Tolerances**

Shaft Nominal Diameter (inches)	Tolerances (inches)
0.500 (1/2) through 0.625 (5/8)	+0.0000/-0.0004
0.750 (3/4) through 1.125 (1 1/8)	+0.0000/-0.0005
1.250 (1 1/4) through 1.875 (1 7/8)	+0.0000/-0.0006
2.000 (2) through 3.125 (3 1/8)	+0.0000/-0.0007
3.250 (3 1/4) through 4.625 (4 5/8)	+0.0000/-0.0009
4.750 (4 3/4) through 7.000 (7)	+0.0000/-0.0010

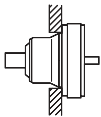
All dimensions are in inches

Model CNF	B	C	G	H	NO.	M	N	P	Q	S1	AH
6060/5Y	3.1492 3.1485	5.71	0.16	0.26	6	2.68	60	4.33	M6	0.83	3.86
6070/5Y	3.1492 3.1485	5.94	0.16	0.26	6	2.91	60	4.33	M6	0.83	3.86
6080/5Y	3.7397 3.7388	7.05	0.20	0.35	8	3.58	22.5	5.28	M8	1.06	4.65
6090/5Y	4.1334 4.1325	7.95	0.24	0.35	8	4.49	22.5	5.91	M8	1.14	5.28
6100/5Y	4.1334 4.1325	8.19	0.24	0.35	8	4.49	22.5	5.91	M8	1.10	5.28
6110/5Y	4.5271 4.5262	8.58	0.24	0.35	8	4.65	22.5	6.38	M8	1.02	5.75
6120/5Y	5.5113 5.5103	10.20	0.55	0.43	6	5.47	60	8.03	M10	1.30	7.09

Model CNF	Low Speed Shaft				High Speed Shaft			Approx. Wt. (lb.)	
	U*	V	S	L1	Key	XU*	XV		Key
6060/5Y	0.500	0.98	10-32UNF	0.63	1/8 X 1/8 X .79	0.500	0.98	1/8 X 1/8 X 0.71	7
6070/5Y	0.750	1.18	12-28UNF	0.63	3/16 X 3/16 X 1.06	0.500	0.98	1/8 X 1/8 X 0.71	7
6080/5Y	0.875	1.38	12-28UNF	0.63	3/16 X 3/16 X 1.18	0.500	0.98	1/8 X 1/8 X 0.71	18
6090/5Y	1.125	1.38	5/16-18UNC	0.79	1/4 X 1/4 X 1.18	0.625	0.98	3/16 X 3/16 X 0.75	19
6100/5Y	1.125	1.38	5/16-18UNC	0.79	1/4 X 1/4 X 1.18	0.625	0.98	3/16 X 3/16 X 0.75	21
6110/5Y	1.250	1.77	5/16-18UNC	0.79	1/4 X 1/4 X 1.46	0.625	0.98	3/16 X 3/16 X 0.75	24
6120/5Y	1.500	2.17	5/16-18UNC	0.79	3/8 X 3/8 X 1.77	0.750	1.38	3/16 X 3/16 X 1.02	44

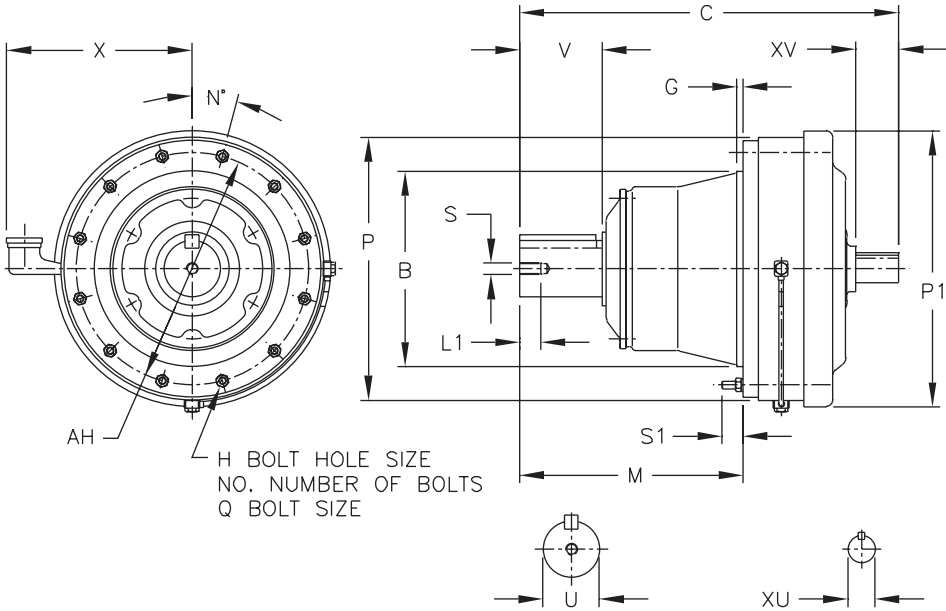
Speed Reducers

Dimensions



Dimensions Horizontal F-Flange Mount

Single Reduction
CHF-6130/5 ▶ 6190/5Y



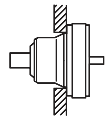
***Shaft Tolerances**

Shaft Nominal Diameter (inches)	Tolerances (inches)
0.500 (1/2) through 0.625 (5/8)	+0.0000/-0.0004
0.750 (3/4) through 1.125 (1 1/8)	+0.0000/-0.0005
1.250 (1 1/4) through 1.875 (1 7/8)	+0.0000/-0.0006
2.000 (2) through 3.125 (3 1/8)	+0.0000/-0.0007
3.250 (3 1/4) through 4.625 (4 5/8)	+0.0000/-0.0009
4.750 (4 3/4) through 7.000 (7)	+0.0000/-0.0010

All dimensions are in inches

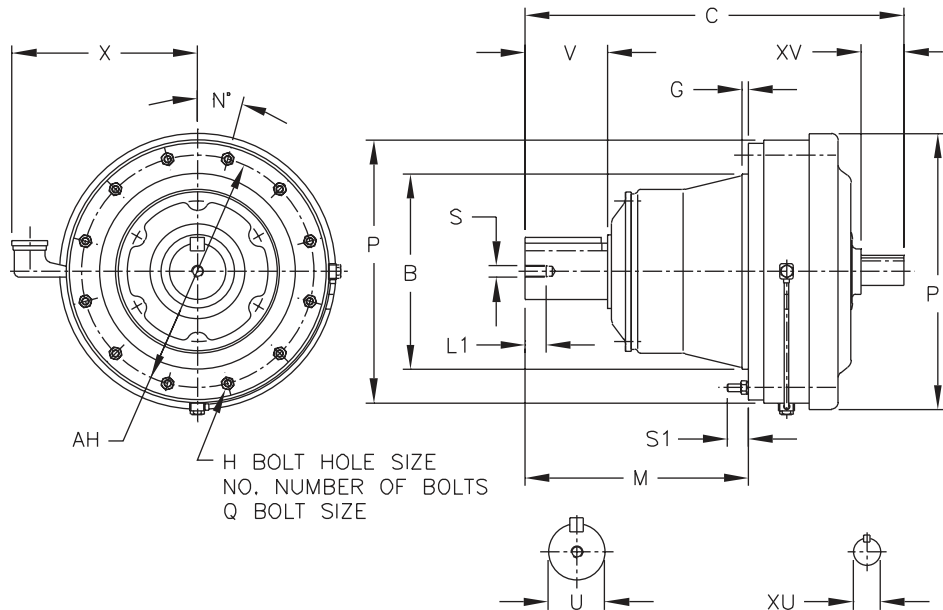
Model CHF	B	C	G	H	NO.	M	N	P	P1	Q	S1	AH	X
6130/5Y	6.4955 6.4945	12.64	0.63	0.43	6	7.01	60	9.06	9.06	M10	1.22	8.07	8.19
6140/5Y	6.4955 6.4945	13.43	0.63	0.43	6	7.80	60	9.06	9.06	M10	1.22	8.07	8.19
6160/5Y	7.8734 7.8723	16.26	0.39	0.55	6	8.74	30	11.81	12.52	M12	1.38	10.63	8.98
6170/5Y	9.8419 9.8408	18.78	0.47	0.55	8	10.31	22.5	13.39	14.25	M12	1.61	11.81	9.57
6180/5Y	11.0230 11.0217	20.75	0.47	0.55	8	11.77	22.5	14.57	15.35	M12	1.50	12.99	10.16
6190/5Y	12.5977 12.5963	24.41	0.39	0.55	12	14.37	15	16.93	17.76	M12	1.61	14.96	11.22

Model CHF	Low Speed Shaft					High Speed Shaft			Approx. Wt. (lb.)
	U*	V	S	L1	Key	XU*	XV	Key	
6130/5Y	1.875	2.76	3/8-16UNC	0.71	1/2 X 1/2 X 2.16	0.875	1.57	3/16 X 3/16 X 1.38	79
6140/5Y	1.875	3.54	3/8-16UNC	0.71	1/2 X 1/2 X 2.95	0.875	1.57	3/16 X 3/16 X 1.38	82
6160/5Y	2.250	3.54	3/8-16UNC	0.71	1/2 X 1/2 X 2.95	1.125	1.77	1/4 X 1/4 X 1.77	146
6170/5Y	2.750	3.54	1/2-13UNC	0.94	5/8 X 5/8 X 3.15	1.375	2.17	5/16 X 5/16 X 2.16	212
6180/5Y	3.125	4.33	1/2-13UNC	0.94	3/4 X 3/4 X 3.74	1.500	2.56	3/8 X 3/8 X 2.56	289
6190/5Y	3.625	5.31	3/4-10UNC	1.34	7/8 X 7/8 X 4.92	1.750	2.76	3/8 X 3/8 X 2.76	430



Dimensions Horizontal F-Flange Mount

Single Reduction CHF-6205Y ▶ 6265Y



H BOLT HOLE SIZE
NO. NUMBER OF BOLTS
Q BOLT SIZE

***Shaft Tolerances**

Shaft Nominal Diameter (inches)	Tolerances (inches)
0.500 (1/2) through 0.625 (5/8)	+0.0000/-0.0004
0.750 (3/4) through 1.125 (1 1/8)	+0.0000/-0.0005
1.250 (1 1/4) through 1.875 (1 7/8)	+0.0000/-0.0006
2.000 (2) through 3.125 (3 1/8)	+0.0000/-0.0007
3.250 (3 1/4) through 4.625 (4 5/8)	+0.0000/-0.0009
4.750 (4 3/4) through 7.000 (7)	+0.0000/-0.0010

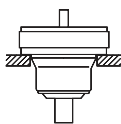
All dimensions are in inches

Speed Reducers

Dimensions

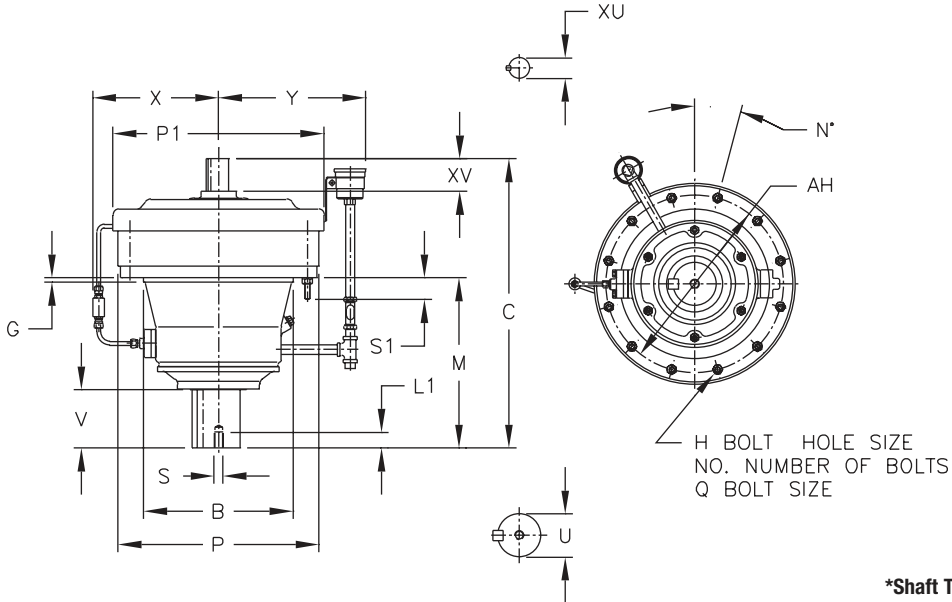
Model CHF	B	C	G	H	NO.	M	N	P	P1	Q	S1	AH	X
6205Y	14.1725 14.1711	26.69	0.79	0.71	12	16.14	15	17.64	18.54	M16	2.20	15.94	-
6215Y	15.3536 15.3522	27.87	0.79	0.81	12	16.65	15	19.09	19.96	M18	2.20	17.32	-
6225Y	16.5346 16.5331	29.61	0.79	0.87	12	17.87	15	20.71	21.61	M20	2.52	18.70	-
6235Y	17.9126 17.9110	33.03	0.79	0.87	12	19.88	15	22.13	23.27	M20	2.56	20.08	-
6245Y	19.6843 19.6827	34.53	0.98	1.06	12	20.83	15	24.17	25.08	M24	2.56	22.05	-
6255Y	21.2590 21.2572	40.94	1.18	1.06	12	24.25	15	26.38	27.68	M24	3.58	24.02	-
6265Y	22.4401 22.4383	45.28	1.57	1.34	12	28.03	15	28.98	30.39	M30	3.35	25.98	-

Model CHF	Low Speed Shaft					High Speed Shaft			Approx. Wt. (lb.)
	U*	V	S	L1	Key	XU*	XV	Key	
6205Y	3.875	6.50	3/4-10UNC	1.34	1 X 1 X 6.50	1.750	3.23	3/8 X 3/8 X 3.23	470
6215Y	4.250	6.50	3/4-10UNC	1.34	1 X 1 X 6.50	1.875	3.23	1/2 X 1/2 X 3.23	644
6225Y	4.625	6.50	3/4-10UNC	1.34	1-1/4 X 7/8 X 6.50	2.125	3.23	1/2 X 1/2 X 3.23	765
6235Y	5.000	7.87	1-8UNC	1.61	1-1/4 X 7/8 X 7.87	2.250	4.13	1/2 X 1/2 X 4.13	944
6245Y	5.500	7.87	1-8UNC	1.61	1-1/4 X 7/8 X 7.87	2.500	4.13	5/8 X 5/8 X 4.13	1186
6255Y	6.250	9.45	1-1/4-7UNC	1.93	1-1/2 X 1 X 9.45	3.125	5.12	3/4 X 3/4 X 5.12	1751
6265Y	6.625	11.81	1-1/4-7UNC	1.93	1-3/4 X 1-1/4 X 11.8	3.125	5.12	3/4 X 3/4 X 5.12	2249



Dimensions Vertical F-Flange Mount

Single Reduction
CVF-6130/5Y ▶ 6190/5Y



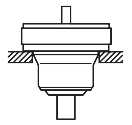
***Shaft Tolerances**

Shaft Nominal Diameter (inches)	Tolerances (inches)
0.500 (1/2) through 0.625 (5/8)	+0.0000/-0.0004
0.750 (3/4) through 1.125 (1 1/8)	+0.0000/-0.0005
1.250 (1 1/4) through 1.875 (1 7/8)	+0.0000/-0.0006
2.000 (2) through 3.125 (3 1/8)	+0.0000/-0.0007
3.250 (3 1/4) through 4.625 (4 5/8)	+0.0000/-0.0009
4.750 (4 3/4) through 7.000 (7)	+0.0000/-0.0010

All dimensions are in inches

Model CVF	B	C	G	H	NO.	M	N	P	P1	Q	S1	AH	X	Y
6130/5Y	6.4955 6.4945	12.64	0.63	0.43	6	7.01	60	9.06	9.06	M10	1.22	8.07	5.98	8.23
6140/5Y	6.4955 6.4945	13.43	0.63	0.43	6	7.80	60	9.06	9.06	M10	1.22	8.07	5.98	8.23
6160/5Y	7.8734 7.8723	16.26	0.39	0.55	6	8.74	30	11.81	12.52	M12	1.38	10.63	8.54	9.06
6170/5Y	9.8419 9.8408	18.78	0.47	0.55	8	10.31	22.5	13.39	14.25	M12	1.61	11.81	8.74	10.24
6180/5Y	11.0230 11.0217	20.75	0.47	0.55	8	11.77	22.5	14.57	15.35	M12	1.50	12.99	9.33	10.24
6190/5Y	12.5977 12.5963	24.41	0.39	0.55	12	14.37	15	16.93	17.76	M12	1.61	14.96	10.43	10.24

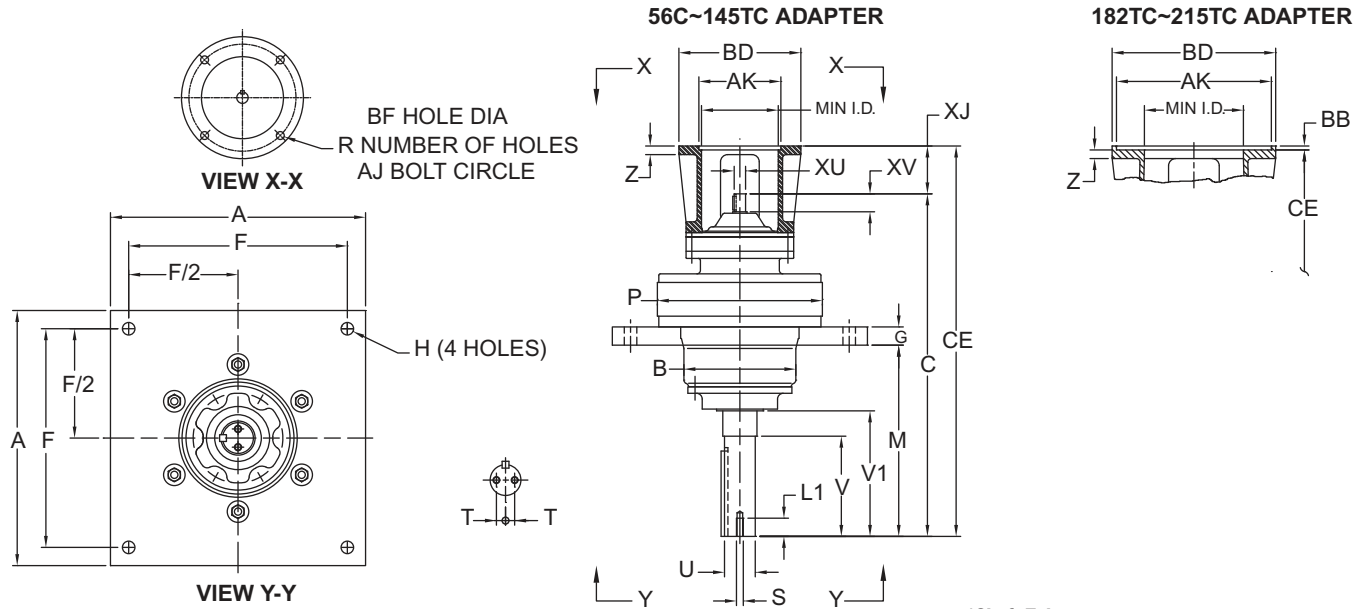
Model CVF	Low Speed Shaft					High Speed Shaft			Approx. Wt. (lb.)
	U*	V	S	L1	Key	XU*	XV	Key	
6130/5Y	1.875	2.40	3/8-16UNC	0.71	1/2 X 1/2 X 2.16	0.875	1.57	3/16 X 3/16 X 1.38	79
6140/5Y	1.875	3.19	3/8-16UNC	0.71	1/2 X 1/2 X 2.95	0.875	1.57	3/16 X 3/16 X 1.38	82
6160/5Y	2.250	3.15	3/8-16UNC	0.71	1/2 X 1/2 X 2.95	1.125	1.77	1/4 X 1/4 X 1.77	146
6170/5Y	2.750	3.31	1/2-13UNC	0.94	5/8 X 5/8 X 3.15	1.375	2.17	5/16 X 5/16 X 2.16	212
6180/5Y	3.125	3.94	1/2-13UNC	0.94	3/4 X 3/4 X 3.74	1.500	2.56	3/8 X 3/8 X 2.56	289
6190/5Y	3.625	4.92	3/4-10UNC	1.34	7/8 X 7/8 X 4.92	1.750	2.76	3/8 X 3/8 X 2.76	430



Dimensions Vertical F-Flange Mount, C-Face, Overhead Drive

Single Reduction

CVFJ-6130/5Y ▶ 6180/5Y



***Shaft Tolerances**

Shaft Nominal Diameter (inches)	Tolerances (inches)
0.500 (1/2) through 0.625 (5/8)	+0.0000/-0.0004
0.750 (3/4) through 1.125 (1 1/8)	+0.0000/-0.0005
1.250 (1 1/4) through 1.875 (1 7/8)	+0.0000/-0.0006
2.000 (2) through 3.125 (3 1/8)	+0.0000/-0.0007
3.250 (3 1/4) through 4.625 (4 5/8)	+0.0000/-0.0009
4.750 (4 3/4) through 7.000 (7)	+0.0000/-0.0010

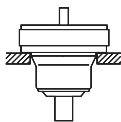
All dimensions are in inches

Model CVFJ	Model DVX	A	B	C	F	G	H	M	P
6130/5Y	35DVX	12.50	6.14	16.02	10.50	0.88	0.56	9.50	9.06
6140/5Y	40DVX	14.00	6.14	17.15	12.00	1.00	0.69	10.50	9.06
6160/5Y	50DVX	16.00	6.77	18.22	14.00	1.46	0.81	10.50	11.81
6170/5Y	60DVX	19.50	8.50	24.56	17.00	1.65	0.94	15.50	13.39
6180/5Y	70DVX	22.00	9.06	26.03	19.00	1.75	1.12	15.50	14.57

Model CVFJ	Model DVX	Low Speed Shaft							High Speed Shaft		
		T	U	V	V1	S	L1	Key	XU	XV	Key
6130/5Y	35DVX	0.38	1.6250	4.50	5.76	5/16-18UNC	1.00	3/8x 3/8 X 3.70	0.875	1.57	3/16 X 3/16 X 1.38
6140/5Y	40DVX	0.50	1.6875	5.50	6.89	3/8-16UNC	1.00	3/8 X 3/8 X 4.69	0.875	1.57	3/16 X 3/16 X 1.38
6160/5Y	50DVX	0.75	2.1875	5.50	-	3/8-16UNC	1.00	1/2 X 1/2 X 5.24	1.125	1.77	1/4 X 1/4 X 1.77
6170/5Y	60DVX	0.75	2.4375	7.50	-	3/8-16UNC	1.00	5/8 X 5/8 X 6.50	1.375	2.17	5/16 X 5/16 X 2.16
6180/5Y	70DVX	1.00	2.9375	7.50	9.22	3/8-16UNC	1.00	3/4 X 3/4 X 6.50	1.500	2.56	3/8 X 3/8 X 2.56

Speed Reducers

Dimensions



Dimensions Vertical F-Flange Mount, C-Face, Overhead Drive

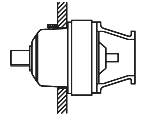
Single Reduction CVFJ-6130/5Y ▶ 6180/5Y (cont.)

All dimensions are in inches

Model CVFJ	Motor Frame	AJ	AK	BD	BB	BF	R	CE	XJ	Z	Min. I.D.	Approx Wt. (lb)
6130/5Y	56C~145TC	5.87	4.500	6.69	-	0.43	4	18.64	2.63	0.47	4.21	133
6140/5Y	56C~145TC	5.87	4.500	6.69	-	0.43	4	19.77	2.63	0.47	4.21	151
6160/5Y	56C~145TC	5.87	4.500	6.69	-	0.43	4	20.85	2.63	0.47	4.21	260
	182TC~184TC	7.25	8.500	8.98	0.22	0.55	4	21.59	3.37	0.57	5.71	265
6170/5Y	182TC~184TC	7.25	8.500	8.98	0.22	0.55	4	27.94	3.38	0.57	5.71	425
	213TC~215TC	7.25	8.500	8.98	0.22	0.55	4	28.56	4.00	1.20	5.71	432
6180/5Y	182TC~184TC	7.25	8.500	8.98	0.22	0.55	4	29.53	3.50	0.57	5.71	588
	213TC~215TC	7.25	8.500	8.98	0.22	0.55	4	30.03	4.00	1.10	5.71	593

Speed Reducers

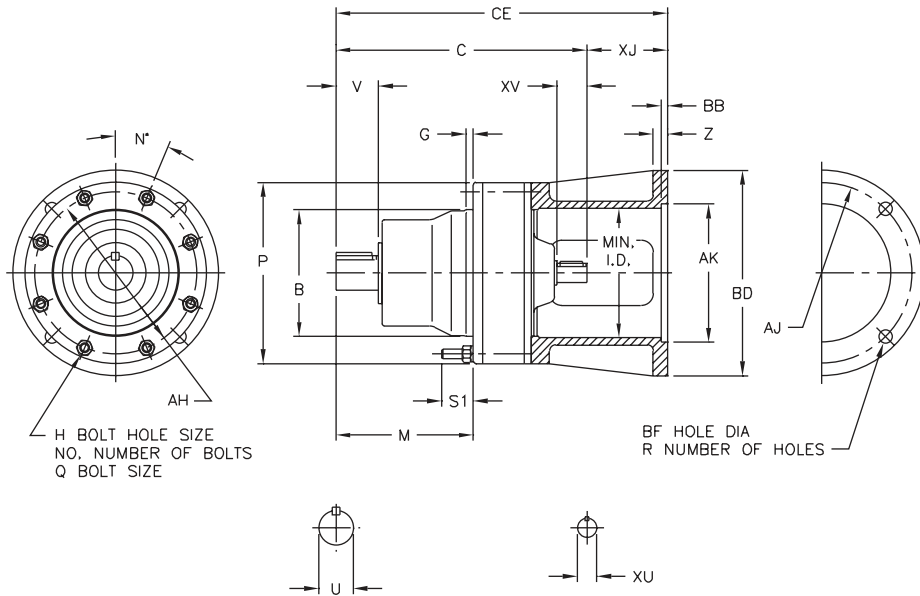
Dimensions



Dimensions Universal F-Flange Mount, C-Face

Single Reduction

CNFJ-6060/5Y ▶ 6120/5Y



***Shaft Tolerances**

Shaft Nominal Diameter (inches)	Tolerances (inches)
0.500 (1/2) through 0.625 (5/8)	+0.0000/-0.0004
0.750 (3/4) through 1.125 (1 1/8)	+0.0000/-0.0005
1.250 (1 1/4) through 1.875 (1 7/8)	+0.0000/-0.0006
2.000 (2) through 3.125 (3 1/8)	+0.0000/-0.0007
3.250 (3 1/4) through 4.625 (4 5/8)	+0.0000/-0.0009
4.750 (4 3/4) through 7.000 (7)	+0.0000/-0.0010

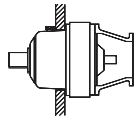
All dimensions are in inches

Speed Reducers

Dimensions

Model CNFJ	B	C	G	H	NO.	M	N	P	Q	S1	AH
6060/5Y	3.1492	5.71	0.16	0.26	6	2.68	60	4.33	M6	0.83	3.86
	3.1485										
6070/5Y	3.1492	5.94	0.16	0.26	6	2.91	60	4.33	M6	0.83	3.86
	3.1485										
6080/5Y	3.7397	7.05	0.20	0.35	8	3.58	22.5	5.28	M8	1.06	4.65
	3.7388										
6090/5Y	4.1334	7.95	0.24	0.35	8	4.49	22.5	5.91	M8	1.14	5.28
	4.1325										
6100/5Y	4.1334	8.19	0.24	0.35	8	4.49	22.5	5.91	M8	1.10	5.28
	4.1325										
6110/5Y	4.5271	8.58	0.24	0.35	8	4.65	22.5	6.38	M8	1.02	5.75
	4.5262										
6120/5Y	5.5113	10.20	0.55	0.43	6	5.47	60	8.03	M10	1.30	7.09
	5.5103										

Model CNFJ	U*	V	Low Speed Shaft			Key	XU*	XV	Key
			S	L1	Key				
6060/5Y	0.500	0.98	10-32UNF	0.63	1/8 X 1/8 X .79	0.500	0.98	1/8 X 1/8 X 0.71	
6070/5Y	0.750	1.18	12-28UNF	0.63	3/16 X 3/16 X 1.06	0.500	0.98	1/8 X 1/8 X 0.71	
6080/5Y	0.875	1.38	12-28UNF	0.63	3/16 X 3/16 X 1.18	0.500	0.98	1/8 X 1/8 X 0.71	
6090/5Y	1.125	1.38	5/16-18UNC	0.79	1/4 X 1/4 X 1.18	0.625	0.98	3/16 X 3/16 X 0.75	
6100/5Y	1.125	1.38	5/16-18UNC	0.79	1/4 X 1/4 X 1.18	0.625	0.98	3/16 X 3/16 X 0.75	
6110/5Y	1.250	1.77	5/16-18UNC	0.79	1/4 X 1/4 X 1.46	0.625	0.98	3/16 X 3/16 X 0.75	
6120/5Y	1.500	2.17	5/16-18UNC	0.79	3/8 X 3/8 X 1.77	0.750	1.38	3/16 X 3/16 X 1.02	



Dimensions Universal F-Flange Mount, C-Face

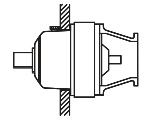
Single Reduction CNFJ-6060/5Y ▶ 6120/5Y (cont.)

All dimensions are in inches

Model CNFJ	Motor Frame	AJ	AK	BD	BB	BF	R	CE	XJ	Z	Min. I.D.	Approx Wt. (lb)
6060/5Y	42C	3.75	3.000	4.33	-	0.28	4	7.49	1.78	0.47	2.44	9.6
	48C	3.75	3.000	4.33	-	0.28	4	7.87	2.16	0.47	2.44	9.8
	56C~145TC	5.88	4.500	6.69	-	0.43	4	8.27	2.56	0.47	3.15	12
6070/5Y	42C	3.75	3.000	4.33	-	0.28	4	7.72	1.78	0.47	2.44	9.6
	48C	3.75	3.000	4.33	-	0.28	4	8.10	2.16	0.47	2.44	9.8
	56C~145TC	5.88	4.500	6.69	-	0.43	4	8.50	2.56	0.47	3.15	12
6080/5Y	42C	3.75	3.000	4.33	-	0.28	4	8.79	1.74	0.39	2.44	22
	48C	3.75	3.000	4.33	-	0.28	4	9.17	2.12	0.39	2.44	22
	56C~145TC	5.88	4.500	6.69	-	0.43	4	9.63	2.58	0.47	4.21	23
6090/5Y	42C	3.75	3.000	4.33	-	0.28	4	9.73	1.78	0.47	2.44	23
	48C	3.75	3.000	4.33	-	0.28	4	10.11	2.16	0.47	2.44	24
	56C~145TC	5.88	4.500	6.69	-	0.43	4	10.58	2.63	0.47	4.21	26
6100/5Y	48C	3.75	3.000	4.33	-	0.28	4	10.35	2.16	0.47	2.44	26
	56C~145TC	5.88	4.500	6.69	-	0.43	4	10.81	2.63	0.47	4.21	28
	182TC~184TC	7.25	8.500	8.98	0.22	0.55	4	11.64	3.45	0.47	5.43	32
6110/5Y	56C~145TC	5.88	4.500	6.69	-	0.43	4	11.20	2.62	0.47	4.21	31
	182TC~184TC	7.25	8.500	8.98	0.22	0.55	4	12.03	3.44	0.47	5.43	36
6120/5Y	56C~145TC	5.88	4.500	6.69	-	0.43	4	12.82	2.63	0.47	4.21	54
	182TC~184TC	7.25	8.500	8.98	0.22	0.55	4	13.57	3.37	0.47	5.43	57

Speed Reducers

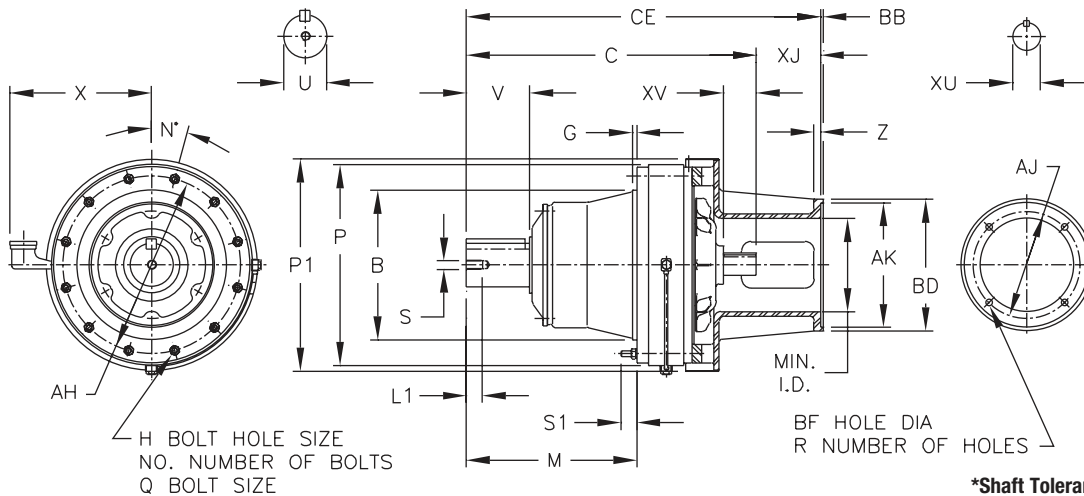
Dimensions



Dimensions Horizontal F-Flange Mount, C-Face

Single Reduction

CHFJ-6130/5Y ▶ 6215Y



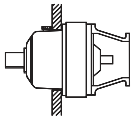
*Shaft Tolerances

Shaft Nominal Diameter (inches)	Tolerances (inches)
0.500 (1/2) through 0.625 (5/8)	+0.0000/-0.0004
0.750 (3/4) through 1.125 (1 1/8)	+0.0000/-0.0005
1.250 (1 1/4) through 1.875 (1 7/8)	+0.0000/-0.0006
2.000 (2) through 3.125 (3 1/8)	+0.0000/-0.0007
3.250 (3 1/4) through 4.625 (4 5/8)	+0.0000/-0.0009
4.750 (4 3/4) through 7.000 (7)	+0.0000/-0.0010

All dimensions are in inches

Model CHFJ	B	C	G	H	NO.	M	N	P	P1	Q	S1	AH	X
6130/5Y	6.4955 6.4945	12.64	0.63	0.43	6	7.01	60	9.06	9.06	M10	1.22	8.07	8.19
6140/5Y	6.4955 6.4945	13.43	0.63	0.43	6	7.80	60	9.06	9.06	M10	1.22	8.07	8.19
6160/5Y	7.8734 7.8723	16.26	0.39	0.55	6	8.74	30	11.81	12.52	M12	1.38	10.63	8.98
6170/5Y	9.8419 9.8408	18.78	0.47	0.55	8	10.31	22.5	13.39	14.25	M12	1.61	11.81	9.57
6180/5Y	11.0230 11.0217	20.75	0.47	0.55	8	11.77	22.5	14.57	15.35	M12	1.50	12.99	10.16
6190/5Y	12.5977 12.5963	24.41	0.39	0.55	12	14.37	15	16.93	17.76	M12	1.61	14.96	11.22
6205Y	14.1725 14.1711	26.69	0.79	0.71	12	16.14	15	17.64	18.54	M16	2.20	15.94	-
6215Y	15.3536 15.3522	27.87	0.79	0.81	12	16.65	15	19.09	19.96	M18	2.20	17.32	-

Model CHFJ	Low Speed Shaft					High Speed Shaft		
	U*	V	S	L1	Key	XU*	XV	Key
6130/5Y	1.875	2.76	3/8-16UNC	0.71	1/2 X 1/2 X 2.16	0.875	1.57	3/16 X 3/16 X 1.38
6140/5Y	1.875	3.54	3/8-16UNC	0.71	1/2 X 1/2 X 2.95	0.875	1.57	3/16 X 3/16 X 1.38
6160/5Y	2.250	3.54	3/8-16UNC	0.71	1/2 X 1/2 X 2.95	1.125	1.77	1/4 X 1/4 X 1.77
6170/5Y	2.750	3.54	1/2-13UNC	0.94	5/8 X 5/8 X 3.15	1.375	2.17	5/16 X 5/16 X 2.16
6180/5Y	3.125	4.33	1/2-13UNC	0.94	3/4 X 3/4 X 3.74	1.500	2.56	3/8 X 3/8 X 2.56
6190/5Y	3.625	5.31	3/4-10UNC	1.34	7/8 X 7/8 X 4.92	1.750	2.76	3/8 X 3/8 X 2.76
6205Y	3.875	6.50	3/4-10UNC	1.34	1 X 1 X 6.50	1.750	3.23	3/8 X 3/8 X 3.23
6215Y	4.250	6.50	3/4-10UNC	1.34	1 X 1 X 6.50	1.875	3.23	1/2 X 1/2 X 3.23



Dimensions Horizontal F-Flange Mount, C-Face

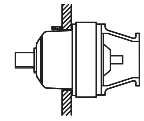
Single Reduction CHFJ-6130/5Y ▶ 6215Y (cont.)

All dimensions are in inches

Model CHFJ	Motor Frame	AJ	AK	BD	BB	BF	R	CE	XJ	Z	Min. I.D.	Approx Wt. (lb)
6130/5Y	56C~145TC	5.88	4.500	6.69	-	0.43	4	15.26	2.63	0.47	4.21	92
	182TC~184TC	7.25	8.500	8.98	0.22	0.55	4	16.01	3.37	0.47	5.43	95
	213~215TC	7.25	8.500	8.98	0.22	0.55	4	16.64	4.00	1.10	5.43	103
	254~256TC	7.25	8.500	8.98	0.22	0.55	4	17.57	4.93	0.57	5.08	104
6140/5Y	56C~145TC	5.88	4.500	6.69	-	0.43	4	16.05	2.63	0.47	4.21	94
	182TC~184TC	7.25	8.500	8.98	0.22	0.55	4	16.80	3.37	0.47	5.43	97
	213TC~215TC	7.25	8.500	8.98	0.22	0.55	4	17.43	4.00	1.10	5.43	105
	254TC~256TC	7.25	8.500	8.98	0.22	0.55	4	18.35	4.93	0.57	5.08	106
6160/5Y	56C~145TC	5.88	4.500	6.69	-	0.43	4	18.89	2.63	0.47	4.21	187
	182TC~184TC	7.25	8.500	8.98	0.22	0.55	4	19.63	3.37	0.57	5.71	192
	213TC~215TC	7.25	8.500	8.98	0.22	0.55	4	20.26	4.00	1.20	5.71	199
	254TC~256TC	7.25	8.500	8.98	0.22	0.55	4	21.01	4.75	0.57	5.71	194
6170/5Y	182TC~184TC	7.25	8.500	8.98	0.22	0.55	4	22.16	3.38	0.57	5.71	250
	213TC~215TC	7.25	8.500	8.98	0.22	0.55	4	22.78	4.00	1.20	5.71	257
	254TC~256TC	7.25	8.500	8.98	0.22	0.55	4	23.53	4.75	0.57	5.71	252
	284TC~286TC	9.00	10.500	11.10	0.22	0.55	4	24.22	5.44	0.57	7.87	263
	324TC~326TC	11.00	12.500	13.86	0.22	0.71	4	24.78	6.00	0.57	7.87	283
6180/5Y	182TC~184TC	7.25	8.500	8.98	0.22	0.55	4	24.25	3.50	0.57	5.71	337
	213TC~215TC	7.25	8.500	8.98	0.22	0.55	4	24.75	4.00	1.07	5.71	342
	254TC~256TC	7.25	8.500	8.98	0.22	0.55	4	25.50	4.75	0.57	5.71	351
	284TC~286TC	9.00	10.500	11.10	0.22	0.55	4	26.19	5.44	0.57	7.87	345
	324TC~326TC	11.00	12.500	13.86	0.22	0.71	4	27.25	6.50	0.57	7.87	349
6190/5Y	213TC~215TC	7.25	8.500	8.98	0.22	0.55	4	28.54	4.13	1.29	5.71	500
	254TC~256TC	7.25	8.500	8.98	0.22	0.55	4	29.16	4.75	0.57	5.71	493
	284TC~286TC	9.00	10.500	11.10	0.22	0.55	4	29.85	5.44	0.57	7.87	502
	324TC~326TC	11.00	12.500	13.86	0.22	0.71	4	30.91	6.50	0.57	7.87	527
6205Y	213TC~215TC	7.25	8.500	9.84	0.22	0.55	4	30.79	4.10	0.57	5.91	560
	254TC~256TC	7.25	8.500	9.84	0.22	0.55	4	31.43	4.73	0.57	5.91	560
	284TC~286TC	9.00	10.500	11.10	0.22	0.55	4	32.06	5.36	0.57	6.89	566
	324TC~326TC	11.00	12.500	13.86	0.22	0.71	4	33.17	6.48	0.57	8.27	592
	364TC~365TC	11.00	12.500	13.86	0.22	0.71	8	33.92	7.22	0.57	8.27	590
364TSC~365TSC	11.00	12.500	13.86	0.22	0.71	8	31.79	5.10	0.57	8.27	582	
6215Y	254TC~256TC	7.25	8.500	9.84	0.22	0.55	4	32.63	4.75	0.57	5.91	753
	284TC~286TC	9.00	10.500	11.10	0.22	0.55	4	33.26	5.38	0.57	6.89	758
	324TC~326TC	11.00	12.500	13.86	0.22	0.71	4	34.37	6.50	0.57	8.27	783
	364TC~365TC	11.00	12.500	13.86	0.22	0.71	8	35.12	7.24	0.57	8.46	776
	364TSC~365TSC	11.00	12.500	13.86	0.22	0.71	8	32.99	5.12	0.57	8.46	772

Speed Reducers

Dimensions

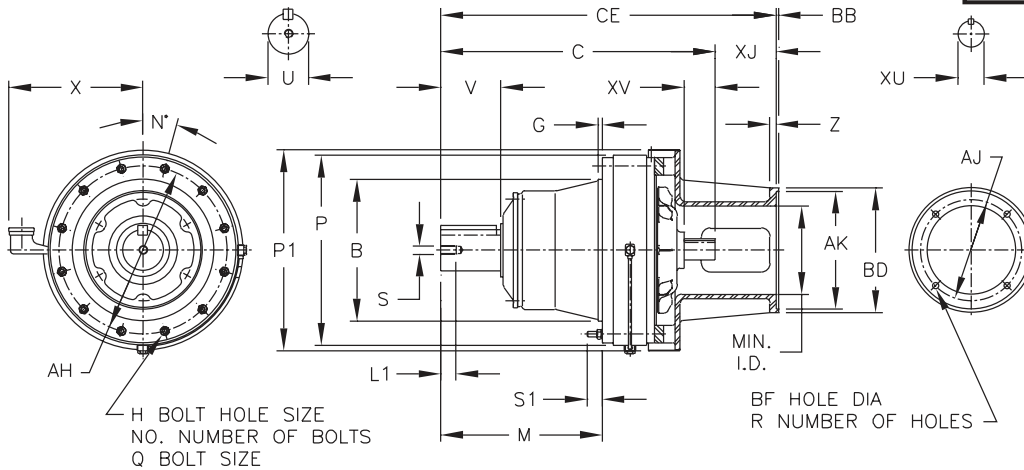


Dimensions Horizontal F-Flange Mount, C-Face

Single Reduction CHFJ-6225Y ▶ 6265Y

*Shaft Tolerances

Shaft Nominal Diameter (inches)	Tolerances (inches)
3.250 (3 1/4) through 4.625 (4 5/8)	+0.0000/-0.0009
4.750 (4 3/4) through 7.000 (7)	+0.0000/-0.0010



All dimensions are in inches

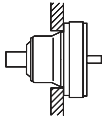
Model CHFJ	B	C	G	H	NO.	M	N	P	P1	Q	S1	AH	X
6225Y	16.5346 16.5331	29.61	0.79	0.87	12	17.87	15	20.71	21.61	M20	2.52	18.70	-
6235Y	17.9126 17.9110	33.03	0.79	0.87	12	19.88	15	22.13	23.27	M20	2.56	20.08	-
6245Y	19.6843 19.6827	34.53	0.98	1.06	12	20.83	15	24.17	25.08	M24	2.56	22.05	-
6255Y	21.2590 21.2572	40.94	1.18	1.06	12	24.25	15	26.38	27.68	M24	3.58	24.02	-
6265Y	22.4401	45.28	1.57	1.34	12	28.03	15	28.98	30.39	M30	3.35	25.98	-

Speed Reducers

Dimensions

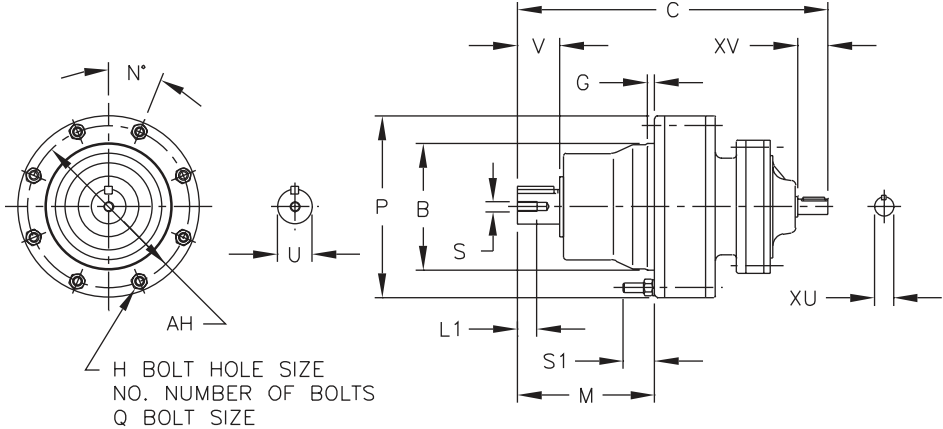
Model CHFJ	Low Speed Shaft					High Speed Shaft		
	U*	V	S	L1	Key	XU*	XV	Key
6225Y	4.625	6.50	3/4-10UNC	1.34	1-1/4 X 7/8 X 6.50	2.125	3.23	1/2 X 1/2 X 3.23
6235Y	5.000	7.87	1-8UNC	1.61	1-1/4 X 7/8 X 7.87	2.250	4.13	1/2 X 1/2 X 4.13
6245Y	5.500	7.87	1-8UNC	1.61	1-1/4 X 7/8 X 7.87	2.500	4.13	5/8 X 5/8 X 4.13
6255Y	6.250	9.45	1-1/4-7UNC	1.93	1-1/2 X 1 X 9.45	3.125	5.12	3/4 X 3/4 X 5.12
6265Y	6.625	11.81	1-1/4-7UNC	1.93	1-3/4 X 1-1/4 X 11.8	3.125	5.12	3/4 X 3/4 X 5.12

Model CHFJ	Motor Frame	AJ	AK	BD	BB	BF	R	CE	XJ	Z	Min. I.D.	Approx Wt. (lb)
6225Y	254TC~256TC	7.25	8.500	11.10	0.22	0.55	4	34.37	4.76	0.57	5.51	907
	284TC~286TC	9.00	10.500	11.10	0.22	0.55	4	35.00	5.39	0.57	6.30	906
	324TC~326TC	11.00	12.500	13.86	0.22	0.71	4	36.11	6.50	0.57	8.46	917
	364TC~365TC	11.00	12.500	13.86	0.22	0.71	8	36.85	7.24	0.57	8.46	919
	364TSC~365TSC	11.00	12.500	13.86	0.22	0.71	8	34.74	5.14	0.57	8.46	911
	404TC~405TC	11.00	12.500	13.86	0.22	0.71	8	38.23	8.63	0.57	8.46	926
	404TSC~405TSC	11.00	12.500	13.86	0.22	0.71	8	35.24	5.63	0.57	8.46	913
6235Y	324TC~326TC	11.00	12.500	13.86	0.22	0.71	4	39.57	6.54	0.57	8.66	1116
	364TC~365TC	11.00	12.500	13.86	0.22	0.71	4	39.57	6.54	0.57	8.66	1116
	404TC~405TC	11.00	12.500	13.86	0.22	0.71	8	41.69	8.66	0.57	8.46	1138
6245Y	324TC~326TC	11.00	12.500	14.57	0.22	0.71	4	41.06	6.54	0.57	8.27	1431
	364TC~365TC	11.00	12.500	13.86	0.22	0.71	8	41.77	7.24	0.57	8.46	1424
	404TC~405TC	11.00	12.500	13.86	0.22	0.71	8	43.15	8.63	0.57	8.46	1418
6255Y	364TC~365TC	11.00	12.500	13.86	0.22	0.71	8	48.20	7.25	0.57	9.45	2032
	404TC~405TC	11.00	12.500	13.86	0.22	0.71	8	49.57	8.63	0.57	9.45	2063
6265Y	364TC~365TC	11.00	12.500	15.75	0.22	0.71	8	52.52	7.24	0.57	9.45	2596
	404TC~405TC	11.00	12.500	15.75	0.22	0.71	8	53.91	8.63	0.57	9.45	2627



Dimensions Universal F-Flange Mount

Double Reduction
CNF-6060/5DAY ▶ 6120/5DBY



***Shaft Tolerances**

Shaft Nominal Diameter (inches)	Tolerances (inches)
0.500 (1/2) through 0.625 (5/8)	+0.0000/-0.0004
0.750 (3/4) through 1.125 (1 1/8)	+0.0000/-0.0005
1.250 (1 1/4) through 1.875 (1 7/8)	+0.0000/-0.0006
2.000 (2) through 3.125 (3 1/8)	+0.0000/-0.0007
3.250 (3 1/4) through 4.625 (4 5/8)	+0.0000/-0.0009
4.750 (4 3/4) through 7.000 (7)	+0.0000/-0.0010

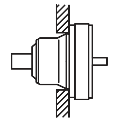
All dimensions are in inches

Model CNF	B	C	G	H	NO.	M	N	P	Q	S1	AH
6060/5DAY	3.1492 3.1485	7.01	0.16	0.26	6	2.68	60	4.33	M6	0.83	3.86
6070/5DAY	3.1492 3.1485	7.24	0.16	0.26	6	2.91	60	4.33	M6	0.83	3.86
6090/5DAY	4.1334 4.1325	9.57	0.24	0.35	8	4.49	22.5	5.91	M8	1.14	5.28
6100/5DAY	4.1334 4.1325	10.12	0.24	0.35	8	4.49	22.5	5.91	M8	1.10	5.28
6120/5DBY	5.5113 5.5103	12.28	0.55	0.43	6	5.47	60	8.03	M10	1.30	7.09

Model CNF	Low Speed Shaft					High Speed Shaft			Approx. Wt. (lb.)
	U*	V	S	L1	Key	XU*	XV	Key	
6060/5DAY	0.500	0.98	10-32UNF	0.63	1/8 X 1/8 X .79	0.500	0.98	1/8 X 1/8 X 0.71	10
6070/5DAY	0.750	1.18	12-28UNF	0.63	3/16 X 3/16 X 1.06	0.500	0.98	1/8 X 1/8 X 0.71	10
6090/5DAY	1.125	1.38	5/16-18UNC	0.79	1/4 X 1/4 X 1.18	0.500	0.98	1/8 X 1/8 X 0.71	22
6100/5DAY	1.125	1.38	5/16-18UNC	0.79	1/4 X 1/4 X 1.18	0.500	0.98	1/8 X 1/8 X 0.71	26
6120/5DBY	1.500	2.17	5/16-18UNC	0.79	3/8 X 3/8 X 1.77	0.625	0.98	3/16 X 3/16 X 0.75	55

Speed Reducers

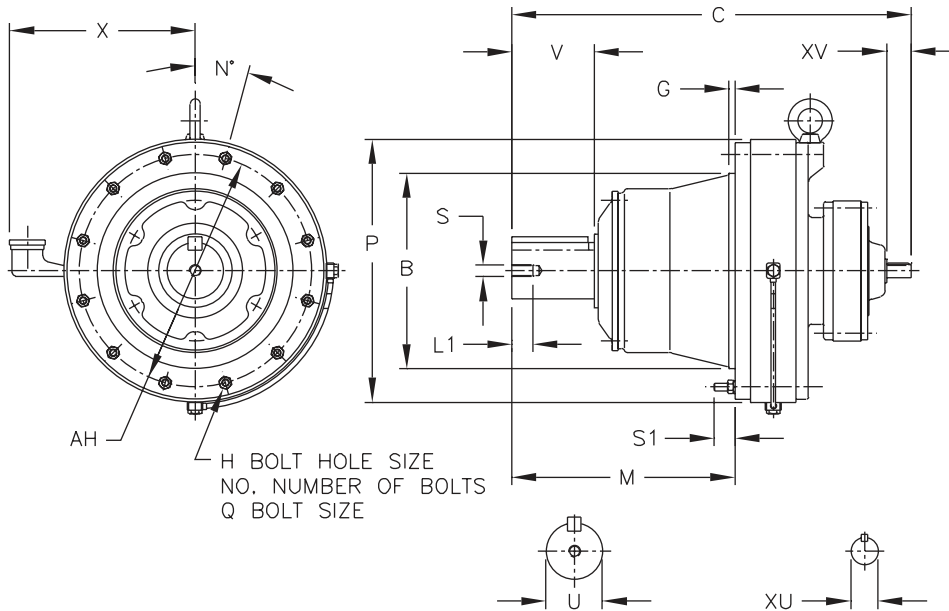
Dimensions



Dimensions Horizontal F-Flange Mount

Double Reduction

CHF-6130/5DAY ▶ 6180/5DBY



***Shaft Tolerances**

Shaft Nominal Diameter (inches)	Tolerances (inches)
0.500 (1/2) through 0.625 (5/8)	+0.0000/-0.0004
0.750 (3/4) through 1.125 (1 1/8)	+0.0000/-0.0005
1.250 (1 1/4) through 1.875 (1 7/8)	+0.0000/-0.0006
2.000 (2) through 3.125 (3 1/8)	+0.0000/-0.0007
3.250 (3 1/4) through 4.625 (4 5/8)	+0.0000/-0.0009
4.750 (4 3/4) through 7.000 (7)	+0.0000/-0.0010

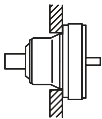
All dimensions are in inches

Model CHF	B	C	G	H	NO.	M	N	P	Q	S1	AH	X
6130/5DAY	6.4955 6.4945	13.66	0.63	0.43	6	7.01	60	9.06	M10	1.22	8.07	-
6130/5DBY	6.4955 6.4945	14.29	0.63	0.43	6	7.01	60	9.06	M10	1.22	8.07	-
6130/5DCY	6.4955 6.4945	14.53	0.63	0.43	6	7.01	60	9.06	M10	1.22	8.07	-
6140/5DAY	6.4955 6.4945	14.45	0.63	0.43	6	7.80	60	9.06	M10	1.22	8.07	-
6140/5DBY	6.4955 6.4945	15.08	0.63	0.43	6	7.80	60	9.06	M10	1.22	8.07	-
6140/5DCY	6.4955 6.4945	15.31	0.63	0.43	6	7.80	60	9.06	M10	1.22	8.07	-
6160/5DCY	7.8734 7.8723	18.19	0.39	0.55	6	8.74	30	11.81	M12	1.38	10.63	8.98
6170/5DCY	9.8419 9.8408	20.04	0.47	0.55	8	10.31	22.5	13.39	M12	1.61	11.81	9.57
6180/5DBY	11.0230 11.0217	22.72	0.47	0.55	8	11.77	22.5	14.57	M12	1.50	12.99	10.16

Model CHF	Low Speed Shaft					High Speed Shaft			Approx. Wt. (lb.)
	U*	V	S	L1	Key	XU*	XV	Key	
6130/5DAY	1.875	2.76	3/8-16UNC	0.71	1/2 X 1/2 X 2.16	0.500	0.98	1/8 X 1/8 X 0.71	80
6130/5DBY	1.875	2.76	3/8-16UNC	0.71	1/2 X 1/2 X 2.16	0.625	0.98	3/16 X 3/16 X 0.75	86
6130/5DCY	1.875	2.76	3/8-16UNC	0.71	1/2 X 1/2 X 2.16	0.625	0.98	3/16 X 3/16 X 0.75	88
6140/5DAY	1.875	3.54	3/8-16UNC	0.71	1/2 X 1/2 X 2.95	0.500	0.98	1/8 X 1/8 X 0.71	80
6140/5DBY	1.875	3.54	3/8-16UNC	0.71	1/2 X 1/2 X 2.95	0.625	0.98	3/16 X 3/16 X 0.75	86
6140/5DCY	1.875	3.54	3/8-16UNC	0.71	1/2 X 1/2 X 2.95	0.625	0.98	3/16 X 3/16 X 0.75	89
6160/5DCY	2.250	3.54	3/8-16UNC	0.71	1/2 X 1/2 X 2.95	0.750	1.38	3/16 X 3/16 X1.02	181
6170/5DCY	2.750	3.54	1/2-13UNC	0.94	5/8 X 5/8 X 3.15	0.750	1.38	3/16 X 3/16 X1.02	232
6180/5DBY	3.125	4.33	1/2-13UNC	0.94	3/4 X 3/4 X 3.74	0.875	1.57	3/16 X 3/16 X1.38	322

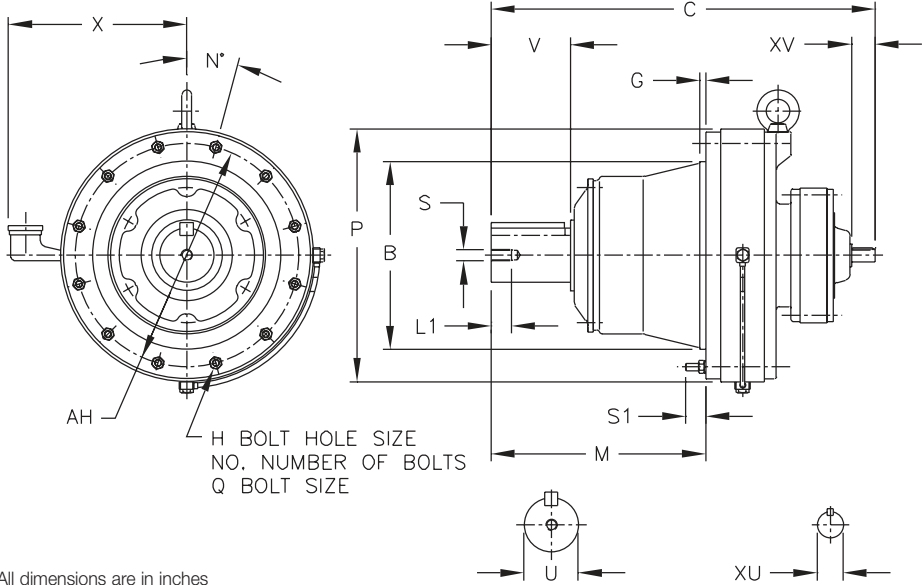
Speed Reducers

Dimensions



Dimensions Horizontal F-Flange Mount

Double Reduction CHF-6190/5DAY ▶ 6225DBY



All dimensions are in inches

***Shaft Tolerances**

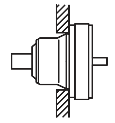
Shaft Nominal Diameter (inches)	Tolerances (inches)
0.500 (1/2) through 0.625 (5/8)	+0.0000/-0.0004
0.750 (3/4) through 1.125 (1 1/8)	+0.0000/-0.0005
1.250 (1 1/4) through 1.875 (1 7/8)	+0.0000/-0.0006
2.000 (2) through 3.125 (3 1/8)	+0.0000/-0.0007
3.250 (3 1/4) through 4.625 (4 5/8)	+0.0000/-0.0009
4.750 (4 3/4) through 7.000 (7)	+0.0000/-0.0010

Model CHF	B	C	G	H	NO.	M	N	P	Q	S1	AH	X
6190/5DAY	12.5977 12.5963	24.76	0.39	0.55	12	14.37	15	16.93	M12	1.61	14.96	11.22
6190/5DBY	12.5977 12.5963	25.71	0.39	0.55	12	14.37	15	16.93	M12	1.61	14.96	11.22
6205DAY	14.1725 14.1711	26.38	0.79	0.71	12	16.14	15	17.64	M16	2.20	15.94	-
6205DBY	14.1725 14.1711	27.76	0.79	0.71	12	16.14	15	17.64	M16	2.20	15.94	-
6215DAY	15.3536 15.3522	28.78	0.79	0.81	12	16.65	15	19.09	M18	2.20	17.32	-
6215DBY	15.3536 15.3522	30.71	0.79	0.81	12	16.65	15	19.09	M18	2.20	17.32	-
6225DAY	16.5346 16.5331	30.43	0.79	0.87	12	17.87	15	20.71	M20	2.52	18.70	-
6225DBY	16.5346 16.5331	33.86	0.79	0.87	12	17.87	15	20.71	M20	2.52	18.70	-

Model CHF	Low Speed Shaft					High Speed Shaft			Approx. Wt. (lb.)
	U*	V	S	L1	Key	XU*	XV	Key	
6190/5DAY	3.625	5.31	3/4-10UNC	1.34	7/8 X 7/8 X 4.92	0.750	1.38	3/16 X 3/16 X 1.02	443
6190/5DBY	3.625	5.31	3/4-10UNC	1.34	7/8 X 7/8 X 4.92	0.875	1.57	3/16 X 3/16 X 1.38	452
6205DAY	3.875	6.50	3/4-10UNC	1.34	1 X 1 X 6.50	0.750	1.38	3/16 X 3/16 X 1.02	478
6205DBY	3.875	6.50	3/4-10UNC	1.34	1 X 1 X 6.50	0.875	1.57	3/16 X 3/16 X 1.38	501
6215DAY	4.250	6.50	3/4-10UNC	1.34	1 X 1 X 6.50	0.875	1.57	3/16 X 3/16 X 1.38	675
6215DBY	4.250	6.50	3/4-10UNC	1.34	1 X 1 X 6.50	1.125	1.77	1/4 X 1/4 X 1.77	723
6225DAY	4.625	6.50	3/4-10UNC	1.34	1-1/4 X 7/8 X 6.50	0.875	1.57	3/16 X 3/16 X 1.38	787
6225DBY	4.625	6.50	3/4-10UNC	1.34	1-1/4 X 7/8 X 6.50	1.375	2.17	5/16 X 5/16 X 2.16	891

Speed Reducers

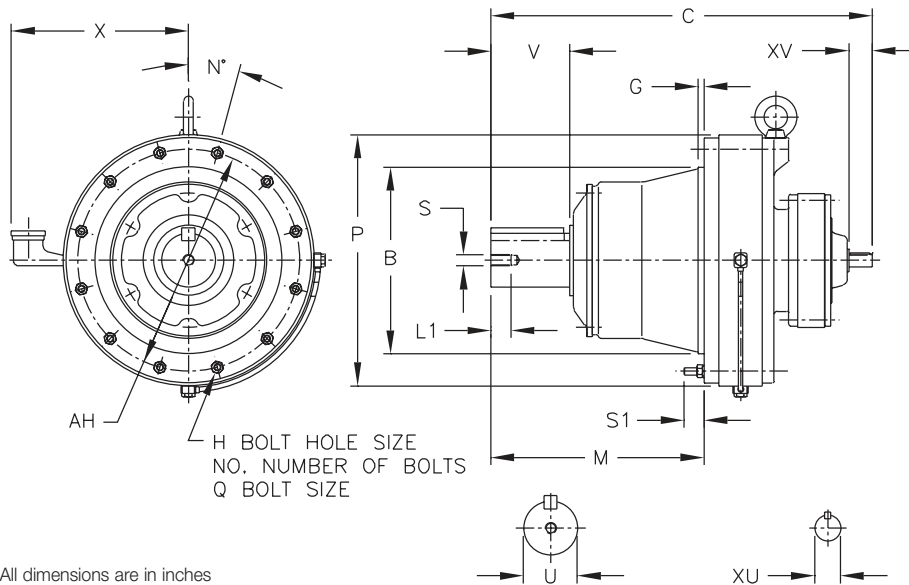
Dimensions



Dimensions Horizontal F-Flange Mount

Double Reduction

CHF-6235DAY ▶ 6265DAY



***Shaft Tolerances**

Shaft Nominal Diameter (inches)	Tolerances (inches)
0.500 (1/2) through 0.625 (5/8)	+0.0000/-0.0004
0.750 (3/4) through 1.125 (1 1/8)	+0.0000/-0.0005
1.250 (1 1/4) through 1.875 (1 7/8)	+0.0000/-0.0006
2.000 (2) through 3.125 (3 1/8)	+0.0000/-0.0007
3.250 (3 1/4) through 4.625 (4 5/8)	+0.0000/-0.0009
4.750 (4 3/4) through 7.000 (7)	+0.0000/-0.0010

All dimensions are in inches

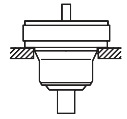
Speed Reducers

Dimensions

Model CHF	B	C	G	H	NO.	M	N	P	Q	S1	AH	X
6235DAY	17.9126 17.9110	34.76	0.79	0.87	12	19.88	15	22.13	M20	2.56	20.08	-
6235DBY	17.9126 17.9110	36.93	0.79	0.87	12	19.88	15	22.13	M20	2.56	20.08	-
6245DAY	19.6843 19.6827	36.26	0.98	1.06	12	20.83	15	24.17	M24	2.56	22.05	-
6245DBY	19.6843 19.6827	38.39	0.98	1.06	12	20.83	15	24.17	M24	2.56	22.05	-
6255DAY	21.2590 21.2572	42.56	1.18	1.06	12	24.25	15	26.38	M24	3.58	24.02	-
6255DBY	21.2590 21.2572	44.61	1.18	1.06	12	24.25	15	26.38	M24	3.58	24.02	-
6265DAY	22.4401 22.4383	48.94	1.57	1.34	12	28.03	15	28.98	M30	3.35	25.98	-

Model CHF	Low Speed Shaft					High Speed Shaft			Approx. Wt. (lb.)
	U*	V	S	L1	Key	XU*	XV	Key	
6235DAY	5.000	7.87	1-8UNC	1.61	1-1/4 X 7/8 X 7.87	1.125	1.77	1/4 X 1/4 X 1.77	1032
6235DBY	5.000	7.87	1-8UNC	1.61	1-1/4 X 7/8 X 7.87	1.500	2.56	3/8 X 3/8 X 2.56	1103
6245DAY	5.500	7.87	1-8UNC	1.61	1-1/4 X 7/8 X 7.87	1.125	1.77	1/4 X 1/4 X 1.77	1266
6245DBY	5.500	7.87	1-8UNC	1.61	1-1/4 X 7/8 X 7.87	1.500	2.56	3/8 X 3/8 X 2.56	1330
6255DAY	6.250	9.45	1-1/4-7UNC	1.93	1-1/2 X 1 X 9.45	1.375	2.17	5/16 X 5/16 X 2.16	1868
6255DBY	6.250	9.45	1-1/4-7UNC	1.93	1-1/2 X 1 X 9.45	1.750	2.76	3/8 X 3/8 X 2.76	2042
6265DAY	6.625	11.81	1-1/4-7UNC	1.93	1-3/4 X 1-1/4 X 11.80	1.750	2.76	3/8 X 3/8 X 2.76	2580

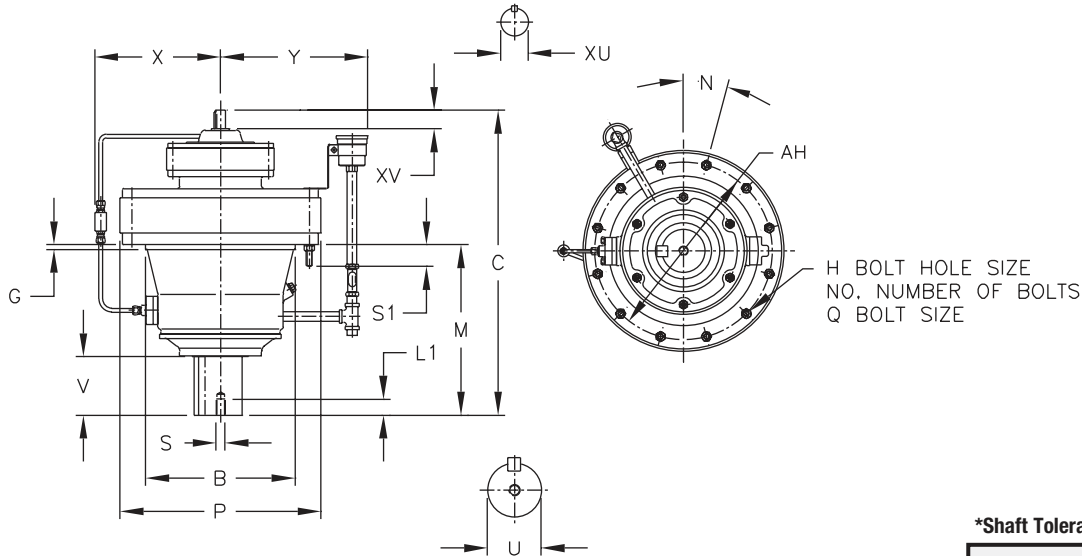
This page intentionally left blank.



Dimensions Vertical F-Flange Mount

Double Reduction

CVF-6130/5DAY ▶ CVF-6140/5DCY



***Shaft Tolerances**

Shaft Nominal Diameter (inches)	Tolerances (inches)
0.500 (1/2) through 0.625 (5/8)	+0.0000/-0.0004
0.750 (3/4) through 1.125 (1 1/8)	+0.0000/-0.0005
1.250 (1 1/4) through 1.875 (1 7/8)	+0.0000/-0.0006
2.000 (2) through 3.125 (3 1/8)	+0.0000/-0.0007
3.250 (3 1/4) through 4.625 (4 5/8)	+0.0000/-0.0009
4.750 (4 3/4) through 7.000 (7)	+0.0000/-0.0010

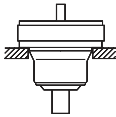
All dimensions are in inches

Speed Reducers

Dimensions

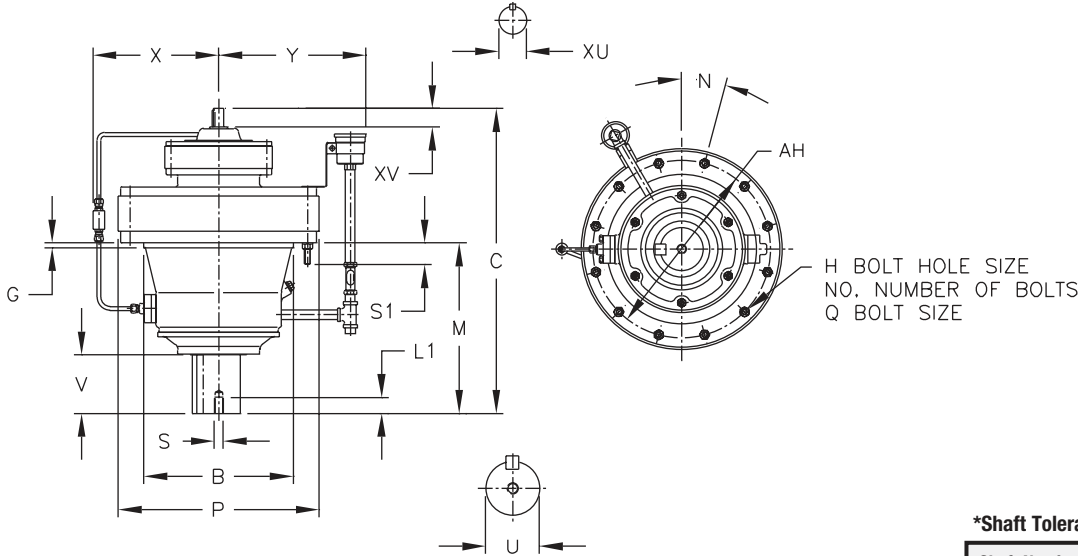
Model CVF	B	C	G	H	NO.	M	N	P	Q	S1	AH	X	Y
6130/5DAY	6.4955 6.4945	13.66	0.63	0.43	6	7.01	60	9.06	M10	1.22	8.07	-	-
6130/5DBY	6.4955 6.4945	14.29	0.63	0.43	6	7.01	60	9.06	M10	1.22	8.07	-	-
6130/5DCY	6.4955 6.4945	14.53	0.63	0.43	6	7.01	60	9.06	M10	1.22	8.07	-	-
6140/5DAY	6.4955 6.4945	14.45	0.63	0.43	6	7.80	60	9.06	M10	1.22	8.07	-	-
6140/5DBY	6.4955 6.4945	15.08	0.63	0.43	6	7.80	60	9.06	M10	1.22	8.07	-	-
6140/5DCY	6.4955 6.4945	15.31	0.63	0.43	6	7.80	60	9.06	M10	1.22	8.07	-	-

Model CVF	U*	V	Low Speed Shaft			High Speed Shaft			Approx. Wt. (lb.)
			S	L1	Key	XU*	XV	Key	
6130/5DAY	1.875	2.40	3/8-16UNC	0.71	1/2 X 1/2 X 2.16	0.500	0.98	1/8 X 1/8 X 0.71	80
6130/5DBY	1.875	2.40	3/8-16UNC	0.71	1/2 X 1/2 X 2.16	0.625	0.98	3/16 X 3/16 X 0.75	86
6130/5DCY	1.875	2.40	3/8-16UNC	0.71	1/2 X 1/2 X 2.16	0.625	0.98	3/16 X 3/16 X 0.75	88
6140/5DAY	1.875	3.19	3/8-16UNC	0.71	1/2 X 1/2 X 2.95	0.500	0.98	1/8 X 1/8 X 0.71	80
6140/5DBY	1.875	3.19	3/8-16UNC	0.71	1/2 X 1/2 X 2.95	0.625	0.98	3/16 X 3/16 X 0.75	86
6140/5DCY	1.875	3.19	3/8-16UNC	0.71	1/2 X 1/2 X 2.95	0.625	0.98	3/16 X 3/16 X 0.75	89



Dimensions Vertical F-Flange Mount

Double Reduction CVF-6160/5DCY ▶ 6190/5DBY



***Shaft Tolerances**

Shaft Nominal Diameter (inches)	Tolerances (inches)
0.500 (1/2) through 0.625 (5/8)	+0.0000/-0.0004
0.750 (3/4) through 1.125 (1 1/8)	+0.0000/-0.0005
1.250 (1 1/4) through 1.875 (1 7/8)	+0.0000/-0.0006
2.000 (2) through 3.125 (3 1/8)	+0.0000/-0.0007
3.250 (3 1/4) through 4.625 (4 5/8)	+0.0000/-0.0009
4.750 (4 3/4) through 7.000 (7)	+0.0000/-0.0010

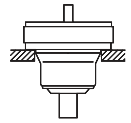
All dimensions are in inches

Model CVF	B	C	G	H	NO.	M	N	P	Q	S1	AH	X	Y
6160/5DCY	7.8734 7.8723	18.19	0.39	0.55	6	8.74	30	11.81	M12	1.38	10.63	7.72	9.06
6170/5DCY	9.8419 9.8408	20.04	0.47	0.55	8	10.31	22.5	13.39	M12	1.61	11.81	8.58	10.24
6180/5DBY	11.0230 11.0217	22.72	0.47	0.55	8	11.77	22.5	14.57	M12	1.50	12.99	9.17	10.24
6190/5DAY	12.5977 12.5963	24.76	0.39	0.55	12	14.37	15	16.93	M12	1.61	14.96	10.04	10.24
6190/5DBY	12.5977 12.5963	25.71	0.39	0.55	12	14.37	15	16.93	M12	1.61	14.96	10.04	10.24

Model CVF	Low Speed Shaft				High Speed Shaft			Approx. Wt. (lb.)	
	U*	V	S	L1	Key	XU*	XV		Key
6160/5DCY	2.250	3.15	3/8-16UNC	0.71	1/2 X 1/2 X 2.95	0.750	1.38	3/16 X 3/16 X1.02	181
6170/5DCY	2.750	3.31	1/2-13UNC	0.94	5/8 X 5/8 X 3.15	0.750	1.38	3/16 X 3/16 X1.02	232
6180/5DBY	3.125	3.94	1/2-13UNC	0.94	3/4 X 3/4 X 3.74	0.875	1.57	3/16 X 3/16 X1.38	322
6190/5DAY	3.625	4.92	3/4-10UNC	1.34	7/8 X 7/8 X 4.92	0.750	1.38	3/16 X 3/16 X1.02	443
6190/5DBY	3.625	4.92	3/4-10UNC	1.34	7/8 X 7/8 X 4.92	0.875	1.57	3/16 X 3/16 X1.38	452

Speed Reducers

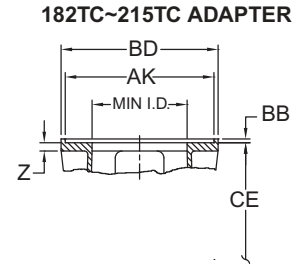
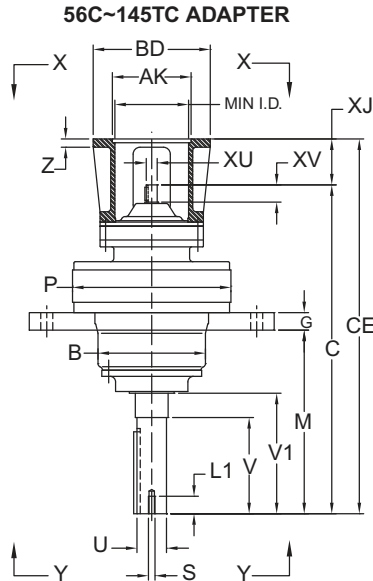
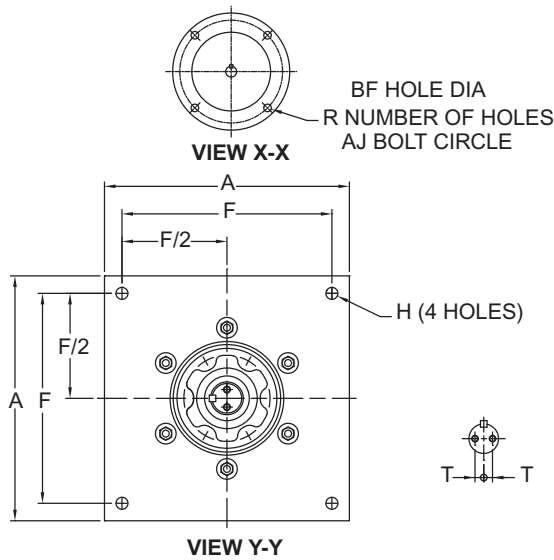
Dimensions



Dimensions Vertical F-Flange Mount, C-Face, Overhead Drive

Double Reduction

CVFJ-6130/5DCY ▶ 6180/5DBY



***Shaft Tolerances**

Shaft Nominal Diameter (inches)	Tolerances (inches)
0.500 (1/2) through 0.625 (5/8)	+0.0000/-0.0004
0.750 (3/4) through 1.125 (1 1/8)	+0.0000/-0.0005
1.250 (1 1/4) through 1.875 (1 7/8)	+0.0000/-0.0006
2.000 (2) through 3.125 (3 1/8)	+0.0000/-0.0007
3.250 (3 1/4) through 4.625 (4 5/8)	+0.0000/-0.0009
4.750 (4 3/4) through 7.000 (7)	+0.0000/-0.0010

All dimensions are in inches

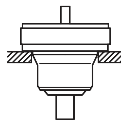
Speed Reducers

Dimensions

Model CVFJ	Model DVX	A	B	C	F	G	H	M	P
6130/5DCY	35DVX	12.50	6.14	17.91	10.50	0.88	0.56	9.50	9.06
6140/5DBY	40DVX	14.00	6.14	18.80	12.00	1.00	0.43	10.50	9.06
6160/5DCY	50DVX	16.00	6.77	20.15	14.00	1.46	0.81	10.50	11.81
6170/5DCY	60DVX	19.50	8.50	25.82	17.00	1.65	0.94	15.50	13.39
6180/5DBY	70DVX	22.00	9.06	28.00	19.00	1.75	1.12	15.50	14.57

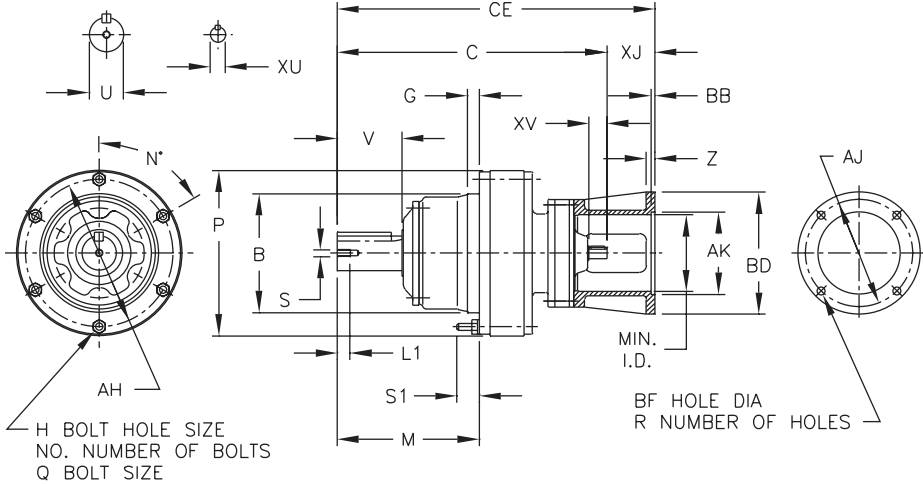
Model CVFJ	Model DVX	T	U	V	V1	S	L1	Key	XU	XV	Key
6130/5DCY	35DVX	0.38	1.6250	4.50	5.76	5/16-18UNC	1.00	3/8 X 3/8 X 3.70	0.625	0.98	3/16 X 3/16 X .75
6140/5DBY	40DVX	0.50	1.6875	5.50	6.89	3/8-16UNC	1.00	3/8 X 3/8 X 4.69	0.625	0.98	3/16 X 3/16 X .75
6160/5DCY	50DVX	0.75	2.1875	5.50	-	3/8-16UNC	1.00	1/2 X 1/2 X 5.24	0.750	1.38	3/16 X 3/16 X .98
6170/5DCY	60DVX	0.75	2.4375	7.50	-	3/8-16UNC	1.00	5/8 X 5/8 X 6.50	0.750	1.38	3/16 X 3/16 X .98
6180/5DBY	70DVX	1.00	2.9375	7.50	9.22	3/8-16UNC	1.00	3/4 X 3/4 X 6.50	0.875	1.57	3/16 X 3/16 X 1.38

Model CVFJ	Motor Frame	AJ	AK	BD	BB	BF	R	CE	XJ	Z	Min. I.D.	Approx Wt. (lb)
6130/5DCY	56C~145TC	5.87	4.500	6.69	-	0.43	4	20.53	2.63	0.47	4.21	136
6140/5DBY	56C~145TC	5.87	4.500	6.69	-	0.43	4	21.42	2.63	0.47	4.21	150
6160/5DCY	56C~145TC	5.87	4.500	6.69	-	0.43	4	22.77	2.63	0.47	4.21	264
	182TC~184TC	7.25	8.500	8.98	0.22	0.55	4	23.92	3.37	0.47	5.43	267
6170/5DCY	56C~145TC	5.87	4.500	6.69	-	0.43	4	28.45	2.63	0.47	4.21	416
	182TC~184TC	7.25	8.500	8.98	0.22	0.55	4	29.19	3.37	0.47	5.43	420
6180/5DBY	56C~145TC	5.87	4.500	6.69	-	0.43	4	30.62	2.63	0.47	4.21	585
	182TC~184TC	7.25	8.500	8.98	0.22	0.55	4	31.37	3.37	0.47	5.43	589
	213TC~215TC	7.25	8.500	8.98	0.22	0.55	4	32.00	4.00	1.10	5.43	596



Dimensions Universal F-Flange Mount, C-Face

Double Reduction CNFJ-6060/5DAY ▶ 6120/5DBY



***Shaft Tolerances**

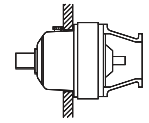
Shaft Nominal Diameter (inches)	Tolerances (inches)
0.500 (1/2) through 0.625 (5/8)	+0.0000/-0.0004
0.750 (3/4) through 1.125 (1 1/8)	+0.0000/-0.0005
1.250 (1 1/4) through 1.875 (1 7/8)	+0.0000/-0.0006
2.000 (2) through 3.125 (3 1/8)	+0.0000/-0.0007
3.250 (3 1/4) through 4.625 (4 5/8)	+0.0000/-0.0009
4.750 (4 3/4) through 7.000 (7)	+0.0000/-0.0010

All dimensions are in inches

Model CNFJ	B	C	G	H	NO.	M	N	P	Q	S1	AH
6060/5DAY	3.1492	7.01	0.16	0.26	6	2.68	60	4.33	M6	0.83	3.86
	3.1485										
6070/5DAY	3.1492	7.24	0.16	0.26	6	2.91	60	4.33	M6	0.83	3.86
	3.1485										
6090/5DAY	4.1334	9.57	0.24	0.35	8	4.49	22.5	5.91	M8	1.14	5.28
	4.1325										
6100/5DAY	4.1334	10.12	0.24	0.35	8	4.49	22.5	5.91	M8	1.10	5.28
	4.1325										
6120/5DBY	5.5113 5.5103	12.28	0.55	0.43	6	5.47	60	8.03	M10	1.30	7.09

Model CNFJ	Low Speed Shaft				High Speed Shaft			
	U*	V	S	L1	Key	XU*	XV	Key
6060/5DAY	0.500	0.98	10-32UNF	0.63	1/8 X 1/8 X .79	0.500	0.98	1/8 X 1/8 X 0.71
6070/5DAY	0.750	1.18	12-28UNF	0.63	3/16 X 3/16 X 1.06	0.500	0.98	1/8 X 1/8 X 0.71
6090/5DAY	1.125	1.38	5/16-18UNC	0.79	1/4 X 1/4 X 1.18	0.500	0.98	1/8 X 1/8 X 0.71
6100/5DAY	1.125	1.38	5/16-18UNC	0.79	1/4 X 1/4 X 1.18	0.500	0.98	1/8 X 1/8 X 0.71
6120/5DBY	1.500	2.17	5/16-18UNC	0.79	3/8 X 3/8 X 1.77	0.625	0.98	3/16 X 3/16 X 0.75

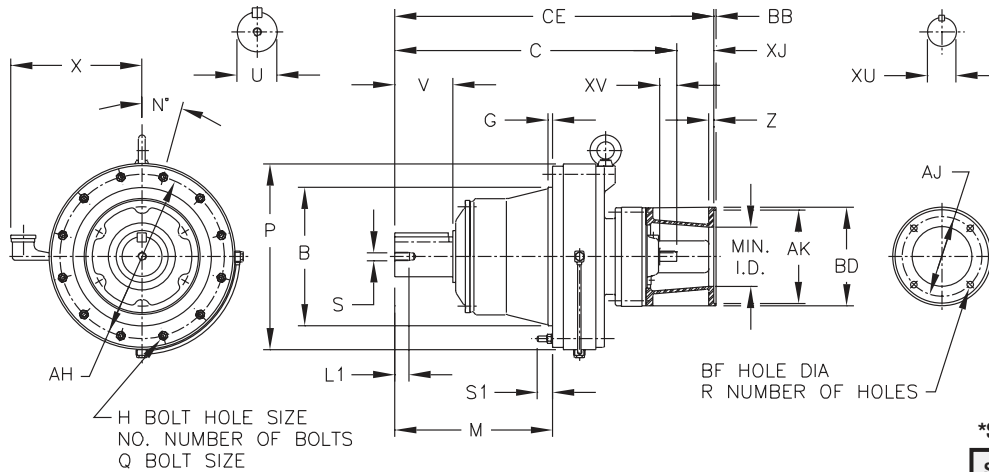
Model CNFJ	Motor Frame	AJ	AK	BD	BB	BF	R	CE	XJ	Z	Min. I.D.	Approx Wt. (lb)
6060/5DAY	42C	3.75	3.000	4.33	-	0.28	4	8.79	1.78	0.47	2.44	13
	48C	3.75	3.000	4.33	-	0.28	4	9.17	2.16	0.47	2.44	13
6070/5DAY	42C	3.75	3.000	4.33	-	0.28	4	9.02	1.78	0.47	2.44	13
	48C	3.75	3.000	4.33	-	0.28	4	9.40	2.16	0.47	2.44	13
6090/5DAY	42C	3.75	3.000	4.33	-	0.28	4	11.35	1.78	0.47	2.44	25
	48C	3.75	3.000	4.33	-	0.28	4	11.72	2.16	0.47	2.44	25
	56C~145TC	5.88	4.500	6.69	-	0.43	4	12.13	2.56	0.47	3.15	28
6100/5DAY	42C	3.75	3.000	4.33	-	0.28	4	11.90	1.78	0.47	2.44	29
	48C	3.75	3.000	4.33	-	0.28	4	12.28	2.16	0.47	2.44	30
	56C~145TC	5.88	4.500	6.69	-	0.43	4	12.68	2.56	0.47	3.15	32
6120/5DBY	42C	3.75	3.000	4.33	-	0.28	4	14.06	1.78	0.47	2.44	60
	48C	3.75	3.000	4.33	-	0.28	4	14.44	2.16	0.47	2.44	60
	56C~145TC	5.88	4.500	6.69	-	0.43	4	14.91	2.63	0.47	4.21	62



Dimensions Horizontal F-Flange Mount, C-Face

Double Reduction

CHFJ-6130/5DAY ▶ 6160/5DCY



***Shaft Tolerances**

Shaft Nominal Diameter (inches)	Tolerances (inches)
0.500 (1/2) through 0.625 (5/8)	+0.0000/-0.0004
0.750 (3/4) through 1.125 (1 1/8)	+0.0000/-0.0005
1.250 (1 1/4) through 1.875 (1 7/8)	+0.0000/-0.0006
2.000 (2) through 3.125 (3 1/8)	+0.0000/-0.0007
3.250 (3 1/4) through 4.625 (4 5/8)	+0.0000/-0.0009
4.750 (4 3/4) through 7.000 (7)	+0.0000/-0.0010

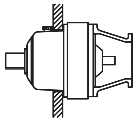
All dimensions are in inches

Model CHFJ	B	C	G	H	NO.	M	N	P	Q	S1	AH	X
6130/5DAY	6.4955 6.4945	13.66	0.63	0.43	6	7.01	60	9.06	M10	1.22	8.07	-
6130/5DBY	6.4955 6.4945	14.29	0.63	0.43	6	7.01	60	9.06	M10	1.22	8.07	-
6130/5DCY	6.4955 6.4945	14.53	0.63	0.43	6	7.01	60	9.06	M10	1.22	8.07	-
6140/5DAY	6.4955 6.4945	14.45	0.63	0.43	6	7.80	60	9.06	M10	1.22	8.07	-
6140/5DBY	6.4955 6.4945	15.08	0.63	0.43	6	7.80	60	9.06	M10	1.22	8.07	-
6140/5DCY	6.4955 6.4945	15.31	0.63	0.43	6	7.80	60	9.06	M10	1.22	8.07	-
6160/5DCY	7.8734 7.8723	18.19	0.39	0.55	6	8.74	30	11.81	M12	1.38	10.63	8.98

Model CHFJ	Low Speed Shaft				High Speed Shaft			
	U*	V	S	L1	Key	XU*	XV	Key
6130/5DAY	1.875	2.76	3/8-16UNC	0.71	1/2 X 1/2 X 2.16	0.500	0.98	1/8 X 1/8 X 0.71
6130/5DBY	1.875	2.76	3/8-16UNC	0.71	1/2 X 1/2 X 2.16	0.625	0.98	3/16 X 3/16 X 0.75
6130/5DCY	1.875	2.76	3/8-16UNC	0.71	1/2 X 1/2 X 2.16	0.625	0.98	3/16 X 3/16 X 0.75
6140/5DAY	1.875	3.54	3/8-16UNC	0.71	1/2 X 1/2 X 2.95	0.500	0.98	1/8 X 1/8 X 0.71
6140/5DBY	1.875	3.54	3/8-16UNC	0.71	1/2 X 1/2 X 2.95	0.625	0.98	3/16 X 3/16 X 0.75
6140/5DCY	1.875	3.54	3/8-16UNC	0.71	1/2 X 1/2 X 2.95	0.625	0.98	3/16 X 3/16 X 0.75
6160/5DCY	2.250	3.54	3/8-16UNC	0.71	1/2 X 1/2 X 2.95	0.750	1.38	3/16 X 3/16 X1.02

Speed Reducers

Dimensions

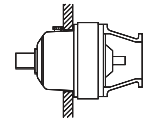


Dimensions Horizontal F-Flange Mount, C-Face

Double Reduction CHFJ-6130/5DAY ▶ 6160/5DCY (cont.)

All dimensions are in inches

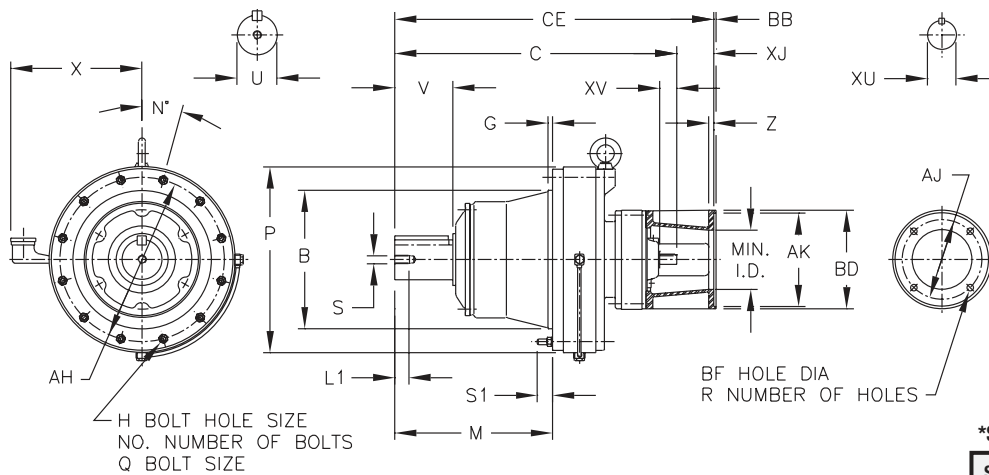
Model CHFJ	Motor Frame	AJ	AK	BD	BB	BF	R	CE	XJ	Z	Min. I.D.	Approx Wt. (lb)
6130/5DAY	42C	3.75	3.000	4.33	-	0.28	4	15.44	1.78	0.47	2.44	84
	48C	3.75	3.000	4.33	-	0.28	4	15.82	2.16	0.47	2.44	84
	56C~143TC	5.88	4.500	6.69	-	0.43	4	16.22	2.56	0.47	4.21	86
6130/5DBY	42C	3.75	3.000	4.33	-	0.28	4	16.07	1.78	0.47	2.44	90
	48C	3.75	3.000	4.33	-	0.28	4	16.45	2.16	0.47	2.44	92
	56C~143TC	5.88	4.500	6.69	-	0.43	4	16.92	2.63	0.47	4.21	94
6130/5DCY	48C	3.75	3.000	4.33	-	0.28	4	16.69	2.16	0.47	2.44	93
	56C~145TC	5.87	4.500	6.69	-	0.43	4	17.15	2.63	0.47	4.21	95
6140/5DAY	42C	3.75	3.000	4.33	-	0.28	4	16.23	1.78	0.47	2.44	84
	48C	3.75	3.000	4.33	-	0.28	4	16.61	2.16	0.47	2.44	84
	56C~143TC	5.88	4.500	6.69	-	0.43	4	17.01	2.56	0.47	4.21	86
6140/5DBY	42C	3.75	3.000	4.33	-	0.28	4	16.86	1.78	0.47	2.44	91
	48C	3.75	3.000	4.33	-	0.28	4	17.24	2.16	0.47	2.44	91
	56C~145TC	5.88	4.500	6.69	-	0.43	4	17.70	2.63	0.47	4.21	93
6140/5DCY	48C	3.75	3.000	4.33	-	0.28	4	17.47	2.16	0.47	2.44	95
	56C~145TC	5.88	4.500	6.69	-	0.43	4	17.94	2.63	0.47	4.21	96
	182TC~184TC	7.25	8.500	8.98	0.22	0.55	4	18.98	3.67	0.47	5.43	100
6160/5DCY	56C~145TC	5.88	4.500	6.69	-	0.43	4	20.81	2.62	0.47	4.21	191
	182TC~184TC	7.25	8.500	8.98	0.22	0.55	4	21.56	3.37	0.47	5.43	194



Dimensions Horizontal F-Flange Mount, C-Face

Double Reduction

CHFJ-6170/5DCY ▶ 6215DBY



***Shaft Tolerances**

Shaft Nominal Diameter (inches)	Tolerances (inches)
0.500 (1/2) through 0.625 (5/8)	+0.0000/-0.0004
0.750 (3/4) through 1.125 (1 1/8)	+0.0000/-0.0005
1.250 (1 1/4) through 1.875 (1 7/8)	+0.0000/-0.0006
2.000 (2) through 3.125 (3 1/8)	+0.0000/-0.0007
3.250 (3 1/4) through 4.625 (4 5/8)	+0.0000/-0.0009
4.750 (4 3/4) through 7.000 (7)	+0.0000/-0.0010

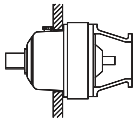
All dimensions are in inches

Model CHFJ	B	C	G	H	NO.	M	N	P	Q	S1	AH	X
6170/5DCY	9.8419 9.8408	20.04	0.47	0.55	8	10.31	22.5	13.39	M12	1.61	11.81	9.57
6180/5DBY	11.0230 11.0217	22.72	0.47	0.55	8	11.77	22.5	14.57	M12	1.50	12.99	10.16
6190/5DAY	12.5977 12.5963	24.76	0.39	0.55	12	14.37	15	16.93	M12	1.61	14.96	11.22
6190/5DBY	12.5977 12.5963	25.71	0.39	0.55	12	14.37	15	16.93	M12	1.61	14.96	11.22
6205DAY	14.1725 14.1711	26.38	0.79	0.71	12	16.14	15	17.64	M16	2.20	15.94	-
6205DBY	14.1725 14.1711	27.76	0.79	0.71	12	16.14	15	17.64	M16	2.20	15.94	-
6215DAY	15.3536 15.3522	28.78	0.79	0.81	12	16.65	15	19.09	M18	2.20	17.32	-
6215DBY	15.3536 15.3522	30.71	0.79	0.81	12	16.65	15	19.09	M18	2.20	17.32	-

Model CHFJ	Low Speed Shaft				High Speed Shaft			
	U*	V	S	L1	Key	XU*	XV	Key
6170/5DCY	2.750	3.54	1/2-13UNC	0.94	5/8 X 5/8 X 3.15	0.750	1.38	3/16 X 3/16 X1.02
6180/5DBY	3.125	4.33	1/2-13UNC	0.94	3/4 X 3/4 X 3.74	0.875	1.57	3/16 X 3/16 X1.38
6190/5DAY	3.625	5.31	3/4-10UNC	1.34	7/8 X 7/8 X 4.92	0.750	1.38	3/16 X 3/16 X1.02
6190/5DBY	3.625	5.31	3/4-10UNC	1.34	7/8 X 7/8 X 4.92	0.875	1.57	3/16 X 3/16 X1.38
6205DAY	3.875	6.50	3/4-10UNC	1.34	1 X 1 X 6.50	0.750	1.38	3/16 X 3/16 X1.02
6205DBY	3.875	6.50	3/4-10UNC	1.34	1 X 1 X 6.50	0.875	1.57	3/16 X 3/16 X1.38
6215DAY	4.250	6.50	3/4-10UNC	1.34	1 X 1 X 6.50	0.875	1.57	3/16 X 3/16 X1.38
6215DBY	4.250	6.50	3/4-10UNC	1.34	1 X 1 X 6.50	1.125	1.77	1/4 X 1/4 X 1.77

Speed Reducers

Dimensions



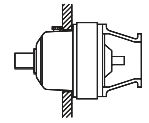
Dimensions Horizontal F-Flange Mount, C-Face

Double Reduction CHFJ-6170/5DCY ▶ 6215DBY (cont.)

Model CHFJ	Motor Frame	AJ	AK	BD	BB	BF	R	CE	XJ	Z	Min. I.D.	Approx Wt. (lb)
6170/5DCY	56C~145TC	5.88	4.500	6.69	-	0.43	4	22.67	2.63	0.47	4.21	241
	182TC~184TC	7.25	8.500	8.98	0.22	0.55	4	23.41	3.37	0.47	5.43	245
6180/5DBY	56C~145TC	5.88	4.500	6.69	-	0.43	4	25.34	2.63	0.47	4.21	334
	182TC~184TC	7.25	8.500	8.98	0.22	0.54	4	26.09	3.37	0.47	5.43	338
	213TC~215TC	7.25	8.500	8.98	0.22	0.54	4	26.72	4.00	1.10	5.43	345
	254TC~256TC	7.25	8.500	8.98	0.22	0.55	4	27.65	4.93	0.57	5.08	346
6190/5DAY	56C~145TC	5.88	4.500	6.69	-	0.43	4	27.39	2.63	0.47	4.21	453
	182TC~184TC	7.25	8.500	8.98	0.22	0.55	4	28.13	3.37	0.47	5.43	456
6190/5DBY	56C~145TC	5.88	4.500	6.69	-	0.43	4	28.33	2.63	0.47	4.21	464
	182TC~184TC	7.25	8.500	8.98	0.22	0.54	4	29.08	3.37	0.47	5.43	468
	213TC~215TC	7.25	8.500	8.98	0.22	0.54	4	29.71	4.00	1.10	5.43	475
	254TC~256TC	7.25	8.500	8.98	0.22	0.55	4	30.64	4.93	0.57	5.08	477
6205DAY	56C~145TC	5.88	4.500	6.69	-	0.43	4	29.00	2.63	0.47	4.21	488
	182TC~184TC	7.25	8.500	8.98	0.22	0.55	4	29.75	3.37	0.47	5.43	492
6205DBY	56C~145TC	5.87	4.500	6.69	-	0.43	4	30.38	2.63	0.47	4.21	513
	182TC~184TC	7.25	8.500	8.98	0.22	0.54	4	31.13	3.37	0.47	5.43	516
	213TC~215TC	7.25	8.500	8.98	0.22	0.54	4	31.76	4.00	1.10	5.43	524
	254TC~256TC	7.25	8.500	8.98	0.22	0.55	4	32.69	4.93	0.57	5.08	525
6215DAY	56C~145TC	5.87	4.500	6.69	-	0.43	4	31.41	2.63	0.47	4.21	687
	182TC~184TC	7.25	8.500	8.98	0.22	0.54	4	32.15	3.37	0.47	5.43	691
	213TC~215TC	7.25	8.500	8.98	0.22	0.54	4	32.78	4.00	1.10	5.43	698
	254TC~256TC	7.25	8.500	8.98	0.22	0.55	4	33.71	4.93	0.57	5.08	699
6215DBY	56C~145TC	5.87	4.500	6.69	-	0.43	4	33.33	2.63	0.47	4.21	765
	182TC~184TC	7.25	8.500	8.98	0.22	0.55	4	34.08	3.37	0.57	5.71	769
	213TC~215TC	7.25	8.500	8.98	0.22	0.55	4	34.71	4.00	1.20	5.71	777
	254TC~256TC	7.25	8.500	8.98	0.22	0.55	4	35.46	4.75	0.57	5.71	772

Speed Reducers

Dimensions

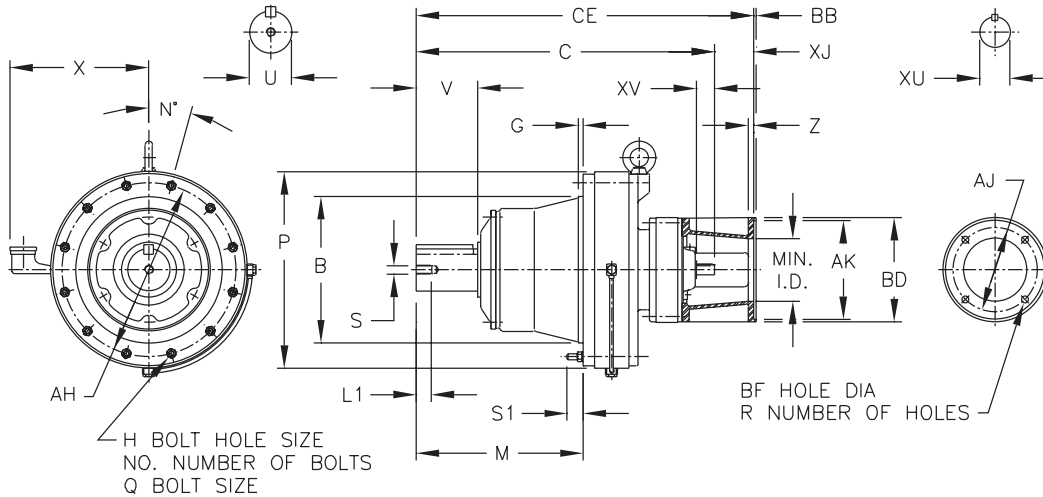


Dimensions Horizontal F-Flange Mount, C-Face

Double Reduction CHFJ-6225DAY ▶ 6265DAY

***Shaft Tolerances**

Shaft Nominal Diameter (inches)	Tolerances (inches)
0.500 (1/2) through 0.625 (5/8)	+0.0000/-0.0004
0.750 (3/4) through 1.125 (1 1/8)	+0.0000/-0.0005
1.250 (1 1/4) through 1.875 (1 7/8)	+0.0000/-0.0006
2.000 (2) through 3.125 (3 1/8)	+0.0000/-0.0007
3.250 (3 1/4) through 4.625 (4 5/8)	+0.0000/-0.0009
4.750 (4 3/4) through 7.000 (7)	+0.0000/-0.0010



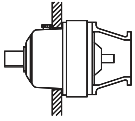
All dimensions are in inches

Model CHFJ	B	C	G	H	NO.	M	N	P	Q	S1	AH	X
6225DAY	16.5346 16.5331	30.43	0.79	0.87	12	17.87	15	20.71	M20	2.52	18.70	-
6225DBY	16.5346 16.5331	33.86	0.79	0.87	12	17.87	15	20.71	M20	2.52	18.70	-
6235DAY	17.9126 17.9110	34.76	0.79	0.87	12	19.88	15	22.13	M20	2.56	20.08	-
6235DBY	17.9126 17.9110	36.93	0.79	0.87	12	19.88	15	22.13	M20	2.56	20.08	-
6245DAY	19.6843 19.6827	36.26	0.98	1.06	12	20.83	15	24.17	M24	2.56	22.05	-
6245DBY	19.6843 19.6827	38.39	0.98	1.06	12	20.83	15	24.17	M24	2.56	22.05	-
6255DAY	21.2590 21.2572	42.56	1.18	1.06	12	24.25	15	26.38	M24	3.58	24.02	-
6255DBY	21.2590 21.2572	44.61	1.18	1.06	12	24.25	15	26.38	M24	3.58	24.02	-
6265DAY	22.4401 22.4383	48.94	1.57	1.34	12	28.03	15	29.98	M30	3.35	25.98	-

Model CHFJ	Low Speed Shaft					High Speed Shaft		
	U*	V	S	L1	Key	XU*	XV	Key
6225DAY	4.625	6.50	3/4-10UNC	1.34	1-1/4 X 7/8 X 6.50	0.875	1.57	3/16 X 3/16 X 1.38
6225DBY	4.625	6.50	3/4-10UNC	1.34	1-1/4 X 7/8 X 6.50	1.375	2.17	5/16 X 5/16 X 2.16
6235DAY	5.000	7.87	1-8UNC	1.61	1-1/4 X 7/8 X 7.87	1.125	1.77	1/4 X 1/4 X 1.77
6235DBY	5.000	7.87	1-8UNC	1.61	1-1/4 X 7/8 X 7.87	1.500	2.56	3/8 X 3/8 X 2.56
6245DAY	5.500	7.87	1-8UNC	1.61	1-1/4 X 7/8 X 7.87	1.125	1.77	1/4 X 1/4 X 1.77
6245DBY	5.500	7.87	1-8UNC	1.61	1-1/4 X 7/8 X 7.87	1.500	2.56	3/8 X 3/8 X 2.56
6255DAY	6.250	9.45	1-1/4-7UNC	1.93	1-1/2 X 1 X 9.45	1.375	2.17	5/16 X 5/16 X 2.16
6255DBY	6.250	9.45	1-1/4-7UNC	1.93	1-1/2 X 1 X 9.45	1.750	2.76	3/8 X 3/8 X 2.76
6265DAY	6.625	11.81	1-1/4-7UNC	1.93	1-3/4 X 1-1/4 X 11.81	1.750	2.76	3/8 X 3/8 X 2.76

Speed Reducers

Dimensions



Dimensions Horizontal F-Flange Mount, C-Face

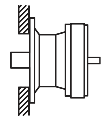
Double Reduction CHFJ-6225DAY ▶ 6265DAY (cont.)

All dimensions are in inches

Model CHFJ	Motor Frame	AJ	AK	BD	BB	BF	R	CE	XJ	Z	Min. I.D.	Approx Wt. (lb)
6225DAY	56C~145TC	5.88	4.500	6.69	-	0.43	4	33.06	2.63	0.47	4.21	799
	182TC~184TC	7.25	8.500	8.98	0.22	0.54	4	33.81	3.37	0.47	5.43	803
	213TC~215TC	7.25	8.500	8.98	0.22	0.54	4	34.43	4.00	1.10	5.43	810
	254TC~256TC	7.25	8.500	8.98	0.22	0.55	4	35.36	4.93	0.57	5.08	812
6225DBY	182TC~184TC	7.25	8.500	8.98	0.22	0.59	4	37.24	3.38	0.57	5.71	929
	213TC~215TC	7.25	8.500	8.98	0.22	0.55	4	37.86	4.00	1.20	5.71	935
	254TC~256TC	7.25	8.500	8.98	0.22	0.55	4	38.61	4.75	0.57	5.71	931
	284TC~286TC	9.00	10.500	11.10	0.22	0.55	4	39.30	5.44	0.57	7.87	942
6235DAY	56C~145TC	5.88	4.500	6.69	-	0.43	4	37.39	2.62	0.47	4.21	1074
	182TC~184TC	7.25	8.500	8.98	0.22	0.55	4	38.14	3.37	0.57	5.71	1078
	213TC~215TC	7.25	8.500	8.98	0.22	0.55	4	38.76	4.00	1.20	5.71	1085
	254TC~256TC	7.25	8.500	8.98	0.22	0.55	4	39.52	4.75	0.57	5.71	1080
6235DBY	182TC~184TC	7.25	8.500	8.98	0.22	0.59	4	40.43	3.50	0.57	5.71	1150
	213TC~215TC	7.25	8.500	8.98	0.22	0.55	4	40.93	4.00	1.07	5.71	1156
	254TC~256TC	7.25	8.500	8.98	0.22	0.55	4	41.68	4.75	0.57	5.71	1164
	284TC~286TC	9.00	10.500	11.10	0.22	0.55	4	42.37	5.44	0.57	7.87	1159
	324TC~326TC	11.00	12.500	13.86	0.22	0.71	4	43.43	6.50	0.57	7.87	1163
6245DAY	56C~145TC	5.88	4.500	6.69	-	0.43	4	38.89	2.63	0.47	4.21	1307
	182TC~184TC	7.25	8.500	8.98	0.22	0.55	4	39.63	3.37	0.57	5.71	1312
	213TC~215TC	7.25	8.500	8.98	0.22	0.55	4	40.26	4.00	1.20	5.71	1319
	254TC~256TC	7.25	8.500	8.98	0.22	0.55	4	41.01	4.75	0.57	5.71	1314
6245DBY	182TC~184TC	7.25	8.500	8.98	0.22	0.55	4	41.89	3.50	0.57	5.71	1377
	213TC~215TC	7.25	8.500	8.98	0.22	0.55	4	42.39	4.00	1.07	5.71	1383
	254TC~256TC	7.25	8.500	8.98	0.22	0.55	4	43.14	4.75	0.57	5.71	1391
	284TC~286TC	9.00	10.500	11.10	0.22	0.55	4	43.82	5.44	0.57	7.87	1386
	324TC~326TC	11.00	12.500	13.86	0.22	0.71	4	44.89	6.50	0.57	7.87	1390
6255DAY	182TC~184TC	7.25	8.500	8.98	0.22	0.55	4	45.94	3.38	0.57	5.71	1906
	213TC~215TC	7.25	8.500	8.98	0.22	0.55	4	46.56	4.00	1.20	5.71	1912
	254TC~256TC	7.25	8.500	8.98	0.22	0.55	4	47.31	4.75	0.57	5.71	1908
	284TC~286TC	9.00	10.500	11.10	0.22	0.55	4	48.00	5.44	0.57	7.87	1919
6255DBY	213TC~215TC	7.25	8.500	8.98	0.22	0.55	4	48.73	4.13	1.29	5.71	2112
	254TC~256TC	7.25	8.500	8.98	0.22	0.55	4	49.36	4.75	0.57	5.71	2105
	284TC~286TC	9.00	10.500	11.10	0.22	0.55	4	50.04	5.44	0.57	7.87	2113
	324TC~326TC	11.00	12.500	13.86	0.22	0.71	4	51.11	6.50	0.57	7.87	2139
6265DAY	213TC~215TC	7.25	8.500	8.98	0.22	0.55	4	53.06	4.13	1.29	5.71	2650
	254TC~256TC	7.25	8.500	8.98	0.22	0.55	4	53.69	4.75	0.57	5.71	2643
	284TC~286TC	9.00	10.500	11.10	0.22	0.55	4	54.37	5.44	0.57	7.87	2652
	324TC~326TC	11.00	12.500	13.86	0.22	0.71	4	55.44	6.50	0.57	7.87	2677

Speed Reducers

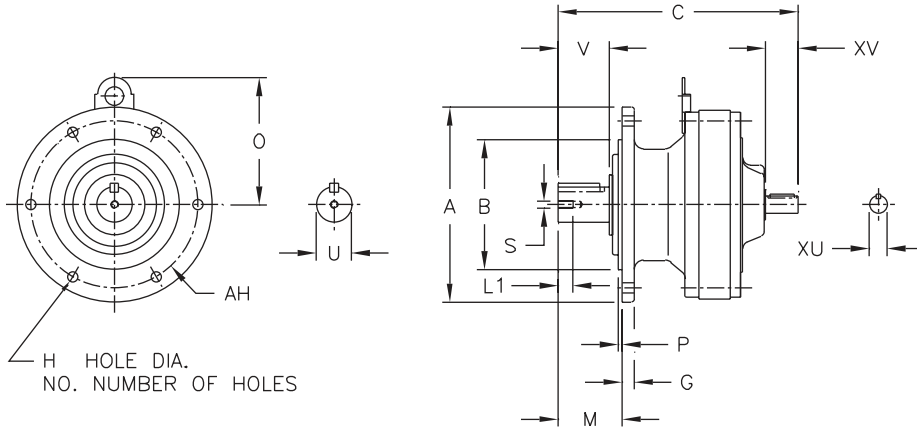
Dimensions



Dimensions Universal V-Flange Mount

Single Reduction

CNV-6060/5Y ▶ 6120/5Y



H HOLE DIA.
NO. NUMBER OF HOLES

***Shaft Tolerances**

Shaft Nominal Diameter (inches)	Tolerances (inches)
0.500 (1/2) through 0.625 (5/8)	+0.0000/-0.0004
0.750 (3/4) through 1.125 (1 1/8)	+0.0000/-0.0005
1.250 (1 1/4) through 1.875 (1 7/8)	+0.0000/-0.0006
2.000 (2) through 3.125 (3 1/8)	+0.0000/-0.0007
3.250 (3 1/4) through 4.625 (4 5/8)	+0.0000/-0.0009
4.750 (4 3/4) through 7.000 (7)	+0.0000/-0.0010

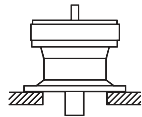
All dimensions are in inches

Speed Reducers

Dimensions

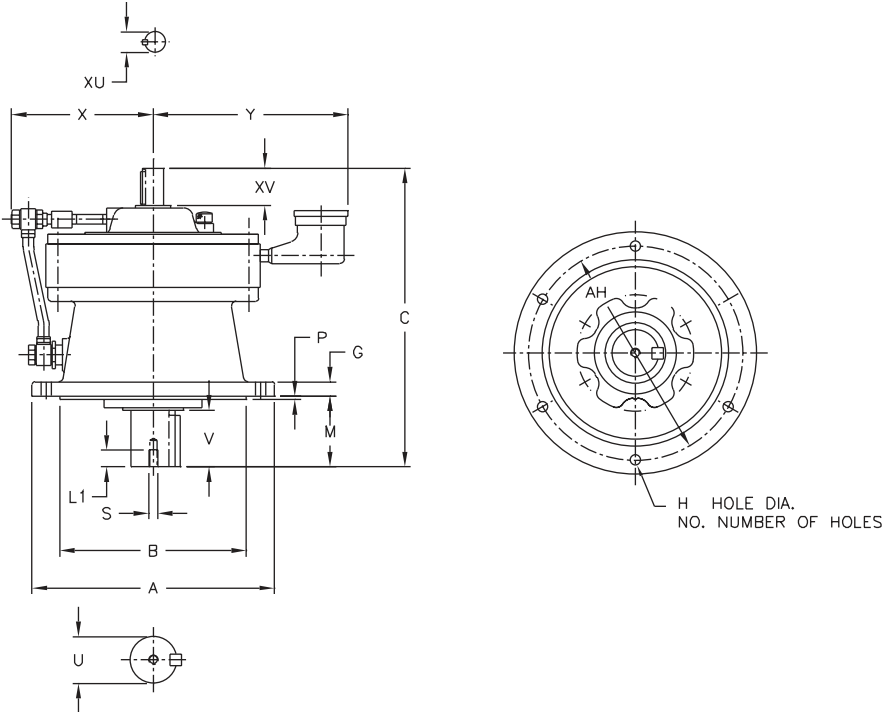
Model CNV	A	B	C	G	H	NO.	M	O	P	AH
6060/5Y	4.72	3.1484	5.71	0.31	0.35	6	1.34	-	0.12	4.02
		3.1466								
6070/5Y	6.30	4.3293	5.94	0.35	0.43	4	1.65	-	0.12	5.28
		4.3272								
6080/5Y	6.30	4.3293	7.05	0.35	0.43	4	1.89	-	0.12	5.28
		4.3272								
6090/5Y	6.30	4.3293	7.95	0.35	0.43	4	1.89	4.21	0.12	5.28
		4.3272								
6100/5Y	6.30	4.3293	8.19	0.35	0.43	4	1.89	4.21	0.12	5.28
		4.3272								
6110/5Y	8.27	5.5101	8.58	0.43	0.43	6	2.28	4.57	0.16	7.09
		5.5076								
6120/5Y	8.27	5.5101	10.20	0.51	0.43	6	2.72	5.39	0.16	7.09
		5.5076								

Model CNV	Low Speed Shaft					High Speed Shaft			Approx. Wt. (lb.)
	U*	V	S	L1	Key	XU*	XV	Key	
6060/5Y	0.500	0.98	10-32UNF	0.63	1/8 X 1/8 X 0.79	0.500	0.98	1/8 X 1/8 X 0.71	8
6070/5Y	0.750	1.18	12-28UNF	0.63	3/16 X 3/16 X 1.06	0.500	0.98	1/8 X 1/8 X 0.71	10
6080/5Y	0.875	1.38	12-28UNF	0.63	3/16 X 3/16 X 1.18	0.500	0.98	1/8 X 1/8 X 0.71	18
6090/5Y	1.125	1.38	5/16-18UNC	0.79	1/4 X 1/4 X 1.18	0.625	0.98	3/16 X 3/16 X 0.75	20
6100/5Y	1.125	1.38	5/16-18UNC	0.79	1/4 X 1/4 X 1.18	0.625	0.98	3/16 X 3/16 X 0.75	24
6110/5Y	1.250	1.77	5/16-18UNC	0.79	1/4 X 1/4 X 1.46	0.625	0.98	3/16 X 3/16 X 0.75	29
6120/5Y	1.500	2.17	5/16-18UNC	0.79	3/8 X 3/8 X 1.77	0.750	1.38	3/16 X 3/16 X 1.02	51



Dimensions Vertical V-Flange Mount

Single Reduction
CVV-6130/5Y ▶ 6140/5Y



***Shaft Tolerances**

Shaft Nominal Diameter (inches)	Tolerances (inches)
0.500 (1/2) through 0.625 (5/8)	+0.0000/-0.0004
0.750 (3/4) through 1.125 (1 1/8)	+0.0000/-0.0005
1.250 (1 1/4) through 1.875 (1 7/8)	+0.0000/-0.0006
2.000 (2) through 3.125 (3 1/8)	+0.0000/-0.0007
3.250 (3 1/4) through 4.625 (4 5/8)	+0.0000/-0.0009
4.750 (4 3/4) through 7.000 (7)	+0.0000/-0.0010

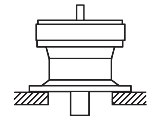
All dimensions are in inches

Model CVV	A	B	C	G	H	NO.	M	P	AH	X	Y
6130/5Y	10.24	7.8720	12.64	0.59	0.43	6	2.99	0.16	9.06	5.98	9.17
		7.8692									
6140/5Y	10.24	7.8720	13.43	0.59	0.43	6	3.78	0.16	9.06	5.98	9.17

Model CVV	Low Speed Shaft					High Speed Shaft			Approx. Wt. (lb.)
	U*	V	S	L1	Key	XU*	XV	Key	
6130/5Y	1.875	2.40	3/8-16UNC	0.71	1/2 X 1/2 X 2.16	0.875	1.57	3/16 X 3/16 X 1.38	93
6140/5Y	1.875	3.19	3/8-16UNC	0.71	1/2 X 1/2 X 2.95	0.875	1.57	3/16 X 3/16 X 1.38	95

Speed Reducers

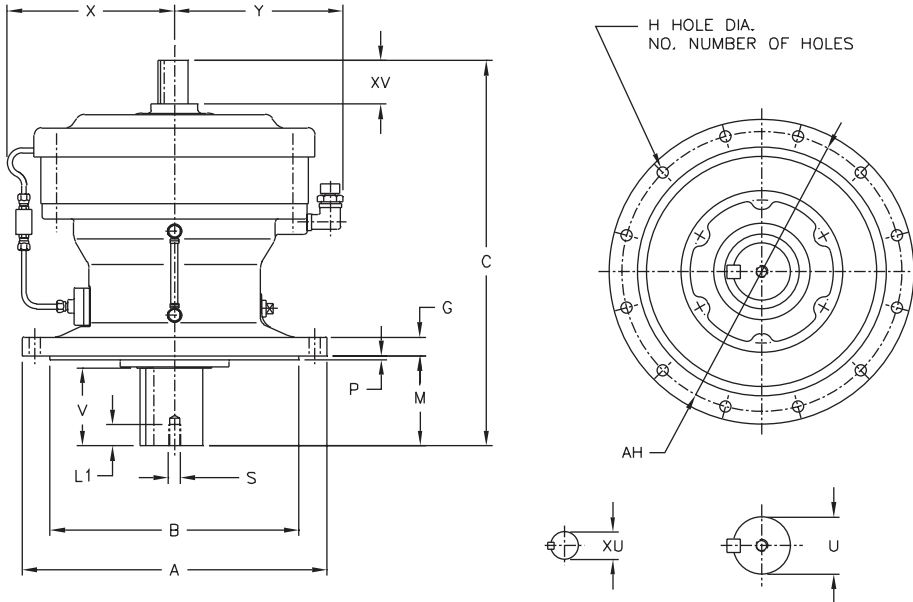
Dimensions



Dimensions Vertical V-Flange Mount

Single Reduction

CVV-6160/5Y ▶ 6275Y



***Shaft Tolerances**

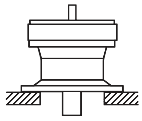
Shaft Nominal Diameter (inches)	Tolerances (inches)
0.500 (1/2) through 0.625 (5/8)	+0.0000/-0.0004
0.750 (3/4) through 1.125 (1 1/8)	+0.0000/-0.0005
1.250 (1 1/4) through 1.875 (1 7/8)	+0.0000/-0.0006
2.000 (2) through 3.125 (3 1/8)	+0.0000/-0.0007
3.250 (3 1/4) through 4.625 (4 5/8)	+0.0000/-0.0009
4.750 (4 3/4) through 7.000 (7)	+0.0000/-0.0010

Speed Reducers

All dimensions are in inches

Dimensions

Model CVV	A	B	C	G	H	NO.	M	P	AH	X	Y
6160/5	13.39	10.6277 10.6245	16.26	0.79	0.43	6	3.50	0.16	12.20	8.54	7.87
6170/5	15.75	12.4385 12.4350	18.78	0.87	0.55	8	3.70	0.20	14.17	8.74	8.86
6180/5	16.93	13.5802 13.5767	20.75	0.87	0.71	8	4.33	0.20	15.35	9.33	9.45
6190/5	19.29	15.7456 15.7421	24.41	1.18	0.71	12	5.71	0.24	17.72	10.43	10.63
6205	17.91	13.9739 13.9704	26.69	1.18	0.87	8	8.03	0.20	15.94	13.43	11.30
6215	19.29	15.3519 15.3484	27.87	1.38	0.94	8	7.99	0.28	17.32	13.70	12.05
6225	21.06	16.3359 16.3321	29.61	1.38	1.06	8	8.27	0.39	18.70	13.86	12.83
6235	22.44	17.7139 17.7100	33.03	1.57	1.06	8	9.84	0.39	20.08	14.13	13.54
6245	25.00	19.0918 19.0880	34.53	1.57	1.30	8	9.84	0.39	22.05	14.57	14.61
6255	26.97	21.0600 21.0557	40.94	1.77	1.30	8	11.61	0.39	24.02	16.77	15.71
6265	29.53	22.4380 22.4336	45.28	1.97	1.54	8	14.17	0.39	25.98	18.11	16.97
6275	45.67	35.4297 35.4242	57.56	2.36	1.54	8	13.98	0.39	40.16	24.02	24.13

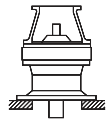


Dimensions Vertical V-Flange Mount

Single Reduction CVV-6160/5Y ▶ 6275Y (cont.)

All dimensions are in inches

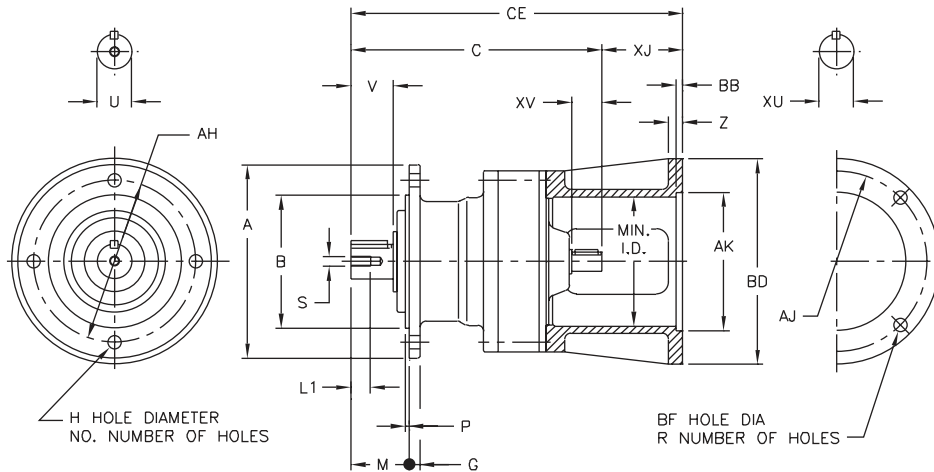
Model CVV	Low Speed Shaft					High Speed Shaft			Approx. Wt. (lb.)
	U*	V	S	L1	Key	XU*	XV	Key	
6160/5	2.250	3.15	3/8-16UNC	0.71	1/2 X 1/2 X 2.95	1.125	1.77	1/4 X 1/4 X 1.77	174
6170/5	2.750	3.31	1/2-13UNC	0.94	5/8 X 5/8 X 3.15	1.375	2.17	5/16 X 5/16 X 2.16	276
6180/5	3.125	3.94	1/2-13UNC	0.94	3/4 X 3/4 X 3.74	1.500	2.56	3/8 X 3/8 X 2.56	331
6190/5	3.625	4.92	3/4-10UNC	1.34	7/8 X 7/8 X 4.92	1.750	2.76	3/8 X 3/8 X 2.76	496
6205	3.875	6.50	3/4-10UNC	1.34	1 X 1 X 6.50	1.750	3.23	3/8 X 3/8 X 3.23	536
6215	4.250	6.50	3/4-10UNC	1.34	1 X 1 X 6.50	1.875	3.23	1/2 X 1/2 X 3.23	692
6225	4.625	6.50	3/4-10UNC	1.34	1-1/4 X 7/8 X 6.50	2.125	3.23	1/2 X 1/2 X 3.23	873
6235	5.000	7.87	1-8UNC	1.61	1-1/4 X 7/8 X 7.87	2.250	4.13	1/2 X 1/2 X 4.13	1045
6245	5.500	7.87	1-8UNC	1.61	1-1/4 X 7/8 X 7.87	2.500	4.13	5/8 X 5/8 X 4.13	1252
6255	6.250	9.45	1-1/4-7UNC	1.93	1-1/2 X 1 X 9.45	3.125	5.12	3/4 X 3/4 X 5.12	1907
6265	6.625	11.81	1-1/4-7UNC	1.93	1-3/4 X 1-1/4 X 11.8	3.125	5.12	3/4 X 3/4 X 5.12	2481
6275	7.000	12.60	1-1/4-7UNC	2.05	1-3/4 X 1-1/4 X 13.0	3.500	5.91	7/8 X 7/8 X 5.90	5755



Dimensions Universal and Vertical V-Flange Mount, C-Face

Single Reduction

CNVJ-6060/5Y ▶ 6120/5Y



***Shaft Tolerances**

Shaft Nominal Diameter (inches)	Tolerances (inches)
0.500 (1/2) through 0.625 (5/8)	+0.0000/-0.0004
0.750 (3/4) through 1.125 (1 1/8)	+0.0000/-0.0005
1.250 (1 1/4) through 1.875 (1 7/8)	+0.0000/-0.0006
2.000 (2) through 3.125 (3 1/8)	+0.0000/-0.0007
3.250 (3 1/4) through 4.625 (4 5/8)	+0.0000/-0.0009
4.750 (4 3/4) through 7.000 (7)	+0.0000/-0.0010

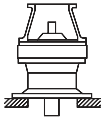
All dimensions are in inches

Speed Reducers

Dimensions

Model CNVJ	A	B	C	G	H	NO.	M	P	AH
6060/5Y	4.72	3.1484	5.71	0.31	0.35	6	1.34	0.12	4.02
		3.1466							
6070/5Y	6.30	4.3293	5.94	0.35	0.43	4	1.65	0.12	5.28
		4.3272							
6080/5Y	6.30	4.3293	7.05	0.35	0.43	4	1.89	0.12	5.28
		4.3272							
6090/5Y	6.30	4.3293	7.95	0.35	0.43	4	1.89	0.12	5.28
		4.3272							
6100/5Y	6.30	4.3293	8.19	0.35	0.43	4	1.89	0.12	5.28
		4.3272							
6110/5Y	8.27	5.5101	8.58	0.43	0.43	6	2.28	0.16	7.09
		5.5076							
6120/5Y	8.27	5.5101	10.20	0.51	0.43	6	2.72	0.16	7.09
		5.5076							

Model CNVJ	Low Speed Shaft					High Speed Shaft		
	U*	V	S	L1	Key	XU*	XV	Key
6060/5Y	0.500	0.98	10-32UNF	0.63	1/8 X 1/8 X 0.79	0.500	0.98	1/8 X 1/8 X 0.71
6070/5Y	0.750	1.18	12-28UNF	0.63	3/16 X 3/16 X 1.06	0.500	0.98	1/8 X 1/8 X 0.71
6080/5Y	0.875	1.38	12-28UNF	0.63	3/16 X 3/16 X 1.18	0.500	0.98	1/8 X 1/8 X 0.71
6090/5Y	1.125	1.38	5/16-18UNC	0.79	1/4 X 1/4 X 1.18	0.625	0.98	3/16 X 3/16 X 0.75
6100/5Y	1.125	1.38	5/16-18UNC	0.79	1/4 X 1/4 X 1.18	0.625	0.98	3/16 X 3/16 X 0.75
6110/5Y	1.250	1.77	5/16-18UNC	0.79	1/4 X 1/4 X 1.46	0.625	0.98	3/16 X 3/16 X 0.75
6120/5Y	1.500	2.17	5/16-18UNC	0.79	3/8 X 3/8 X 1.77	0.750	1.38	3/16 X 3/16 X 1.02



Dimensions Universal and Vertical V-Flange Mount, C-Face

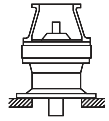
Single Reduction CNVJ-6060/5Y ▶ 6120/5Y (cont.)

All dimensions are in inches

Model CNVJ	Motor Frame	AJ	AK	BD	BB	BF	R	CE	XJ	Z	Min. I.D.	Approx Wt. (lb)
6060/5Y	42C	3.75	3.000	4.33	-	0.28	4	7.49	1.78	0.47	2.44	11
	48C	3.75	3.000	4.33	-	0.28	4	7.87	2.16	0.47	2.44	11
	56C	5.88	4.500	6.69	-	0.43	4	8.27	2.56	0.47	3.15	13
6070/5Y	42C	3.75	3.000	4.33	-	0.28	4	7.72	1.78	0.47	2.44	13
	48C	3.75	3.000	4.33	-	0.28	4	8.10	2.16	0.47	2.44	13
	56C	5.88	4.500	6.69	-	0.43	4	8.50	2.56	0.47	3.15	15
6080/5Y	42C	3.75	3.000	4.33	-	0.28	4	8.79	1.74	0.39	2.48	22
	48C	3.75	3.000	4.33	-	0.28	4	9.17	2.12	0.39	2.48	22
	56C	5.88	4.500	6.69	-	0.43	4	9.63	2.58	0.47	3.07	23
6090/5Y	42C	3.75	3.000	4.33	-	0.28	4	9.73	1.78	0.47	2.44	25
	48C	3.75	3.000	4.33	-	0.28	4	10.11	2.16	0.47	2.44	25
	56C~145TC	5.88	4.500	6.69	-	0.43	4	10.58	2.63	0.47	4.21	27
6100/5Y	48C	3.75	3.000	4.33	-	0.28	4	10.35	2.16	0.47	2.44	29
	56C~145TC	5.88	4.500	6.69	-	0.43	4	10.81	2.63	0.47	4.21	31
	182TC~184TC	7.25	8.500	8.98	0.22	0.55	4	11.85	3.67	0.47	5.43	35
6110/5Y	56C~145TC	5.88	4.500	6.69	-	0.43	4	11.20	2.62	0.28	3.94	35
	182TC~184TC	7.25	8.500	8.98	0.22	0.55	4	12.24	3.66	0.47	3.94	40
6120/5Y	56C~145TC	5.88	4.500	6.69	-	0.43	4	12.82	2.63	0.47	4.21	60
	182TC~184TC	7.25	8.500	8.98	0.22	0.55	4	13.57	3.37	0.47	5.43	64

Speed
Reducers

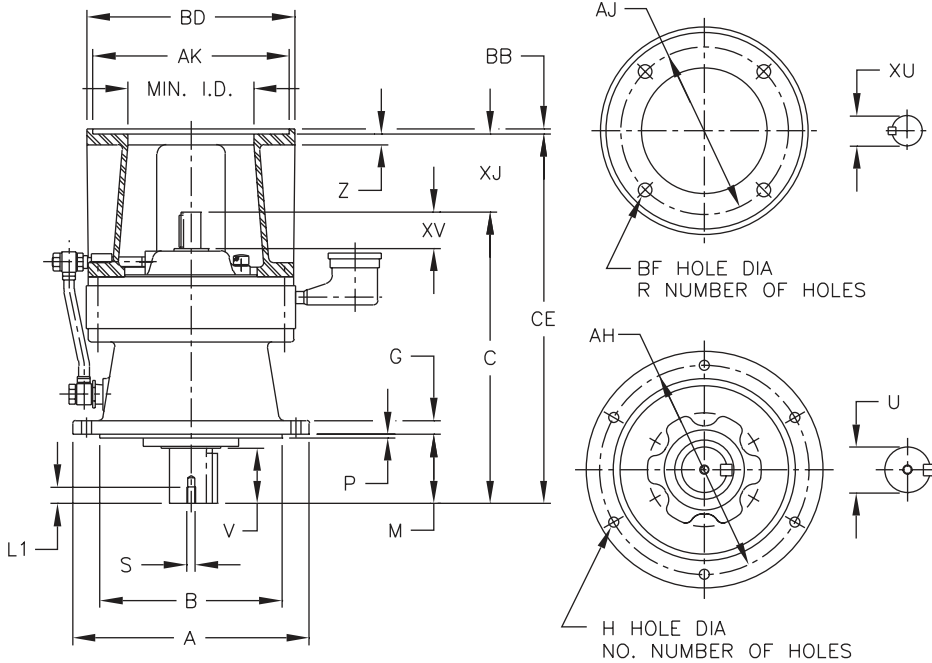
Dimensions



Dimensions Vertical V-Flange Mount, C-Face

Single Reduction

CVVJ-6130/5Y ▶ 6205Y



***Shaft Tolerances**

Shaft Nominal Diameter (inches)	Tolerances (inches)
0.500 (1/2) through 0.625 (5/8)	+0.0000/-0.0004
0.750 (3/4) through 1.125 (1 1/8)	+0.0000/-0.0005
1.250 (1 1/4) through 1.875 (1 7/8)	+0.0000/-0.0006
2.000 (2) through 3.125 (3 1/8)	+0.0000/-0.0007
3.250 (3 1/4) through 4.625 (4 5/8)	+0.0000/-0.0009
4.750 (4 3/4) through 7.000 (7)	+0.0000/-0.0010

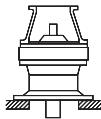
All dimensions are in inches

Speed Reducers

Dimensions

Model CVVJ	A	B	C	G	H	NO.	M	P	AH
6130/5Y	10.24	7.8720 7.8692	12.64	0.59	0.43	6	2.99	0.16	9.06
6140/5Y	10.24	7.8720 7.8692	13.43	0.59	0.43	6	3.78	0.16	9.06
6160/5	13.39	10.6277 10.6245	16.26	0.79	0.43	6	3.50	0.16	12.20
6170/5	15.75	12.4385 12.4350	18.78	0.87	0.55	8	3.70	0.20	14.17
6180/5	16.93	13.5802 13.5767	20.75	0.87	0.71	8	4.33	0.20	15.35
6190/5	19.29	15.7456 15.7421	24.41	1.18	0.71	12	5.71	0.24	17.72
6205	17.91	13.9739 13.9704	26.69	1.18	0.87	8	8.03	0.20	15.94

Model CVVJ	Low Speed Shaft					High Speed Shaft		
	U*	V	S	L1	Key	XU*	XV	Key
6130/5Y	1.875	2.40	3/8-16UNC	0.71	1/2 X 1/2 X 2.16	0.875	1.57	3/16 X 3/16 X 1.38
6140/5Y	1.875	3.19	3/8-16UNC	0.71	1/2 X 1/2 X 2.95	0.875	1.57	3/16 X 3/16 X 1.38
6160/5	2.250	3.15	3/8-16UNC	0.71	1/2 X 1/2 X 2.95	1.125	1.77	1/4 X 1/4 X 1.77
6170/5	2.750	3.31	1/2-13UNC	0.94	5/8 X 5/8 X 3.15	1.375	2.17	5/16 X 5/16 X 2.16
6180/5	3.125	3.94	1/2-13UNC	0.94	3/4 X 3/4 X 3.74	1.500	2.56	3/8 X 3/8 X 2.56
6190/5	3.625	4.92	3/4-10UNC	1.34	7/8 X 7/8 X 4.92	1.750	2.76	3/8 X 3/8 X 2.76
6205	3.875	6.50	3/4-10UNC	1.34	1 X 1 X 6.50	1.750	3.23	3/8 X 3/8 X 3.23



Dimensions Vertical V-Flange Mount, C-Face

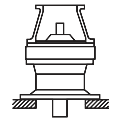
Single Reduction CVVJ-6130/5Y ▶ 6205Y (cont.)

All dimensions are in inches

Model CVVJ	Motor Frame	AJ	AK	BD	BB	BF	R	CE	XJ	Z	Min. I.D.	Approx Wt. (lb)
6130/5Y	143TC-145TC	5.88	4.500	6.69	-	0.43	4	15.26	2.63	0.47	4.21	105
	182TC-184TC	7.25	8.500	8.98	0.22	0.54	4	16.01	3.37	0.47	5.43	108
	213TC-215TC	7.25	8.500	8.98	0.22	0.54	4	16.64	4.00	1.10	5.43	116
	254TC-256TC	7.25	8.500	8.98	0.22	0.55	4	17.57	4.93	0.57	5.08	117
6140/5Y	143TC-145TC	5.88	4.500	6.69	-	0.43	4	16.05	2.63	0.47	4.21	107
	182TC-184TC	7.25	8.500	8.98	0.22	0.54	4	16.80	3.37	0.47	5.43	111
	213TC-215TC	7.25	8.500	8.98	0.22	0.54	4	17.43	4.00	1.10	5.43	118
	254TC-256TC	7.25	8.500	8.98	0.22	0.55	4	18.35	4.93	0.57	5.08	119
6160/5Y	143TC-145TC	5.88	4.500	6.69	-	0.43	4	18.89	2.63	0.47	4.21	216
	182TC-184TC	7.25	8.500	8.98	0.22	0.55	4	19.63	3.37	0.57	5.71	220
	213TC-215TC	7.25	8.500	8.98	0.22	0.55	4	20.26	4.00	1.20	5.71	228
	254TC-256TC	7.25	8.500	8.98	0.22	0.55	4	21.01	4.75	0.57	5.71	223
	284TC-286TC	9.00	10.500	11.10	0.22	0.55	4	21.70	5.44	0.57	6.50	216
6170/5Y	182TC-184TC	7.25	8.500	8.98	0.22	0.59	4	22.16	3.38	0.57	5.71	314
	213TC-215TC	7.25	8.500	8.98	0.22	0.59	4	22.78	4.00	1.20	5.71	321
	254TC-256TC	7.25	8.500	8.98	0.22	0.59	4	23.53	4.75	0.57	5.71	316
	284TC-286TC	9.00	10.500	11.10	0.22	0.59	4	24.22	5.44	0.57	7.87	327
	324TC-326TC	11.00	12.500	14.17	0.22	0.71	4	24.78	6.00	0.57	7.87	347
6180/5Y	182TC-184TC	7.25	8.500	8.98	0.22	0.59	4	24.25	3.50	0.57	5.71	379
	213TC-215TC	7.25	8.500	8.98	0.22	0.59	4	24.75	4.00	1.07	5.71	384
	254TC-256TC	7.25	8.500	8.98	0.22	0.59	4	25.50	4.75	0.57	5.71	392
	284TC-286TC	9.00	10.500	11.10	0.22	0.59	4	26.19	5.44	0.57	7.87	387
	324TC-326TC	11.00	12.500	13.86	0.22	0.71	4	27.25	6.50	0.57	7.87	391
6190/5Y	213TC-215TC	7.25	8.500	8.98	0.22	0.59	4	28.54	4.13	1.29	5.71	566
	254TC-256TC	7.25	8.500	8.98	0.22	0.59	4	29.16	4.75	0.57	5.71	559
	284TC-286TC	9.00	10.500	11.10	0.22	0.59	4	29.85	5.44	0.57	7.87	568
	324TC-326TC	11.00	12.500	13.86	0.22	0.71	4	30.91	6.50	0.57	7.87	593
6205Y	213TC-215TC	7.25	8.500	9.84	0.22	0.59	4	30.79	4.10	0.57	5.91	626
	254TC-256TC	7.25	8.500	9.84	0.22	0.59	4	31.43	4.73	0.57	5.91	626
	284TC-286TC	9.00	10.500	11.10	0.22	0.59	4	32.06	5.36	0.57	6.89	633
	324TC-326TC	11.00	12.500	13.86	0.22	0.71	4	33.17	6.48	0.57	8.27	658
	364TC-365TC	11.00	12.500	13.86	0.22	0.71	8	33.92	7.22	0.57	8.27	656
	364TSC-365TSC	11.00	12.500	13.86	0.22	0.71	8	31.79	5.10	0.57	8.27	648

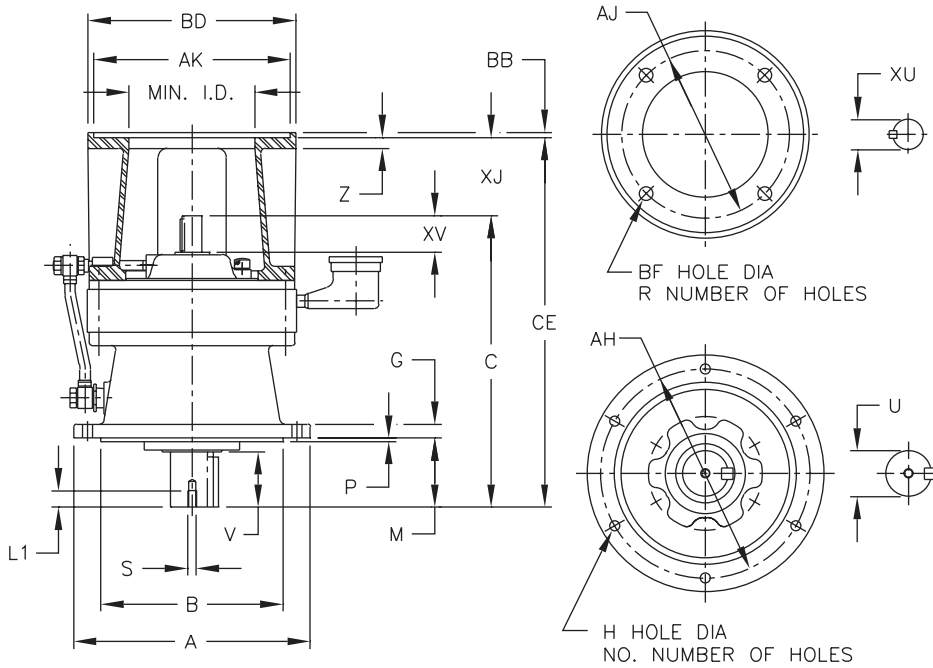
Speed Reducers

Dimensions



Dimensions Vertical V-Flange Mount, C-Face

Single Reduction CVVJ-6215Y ▶ 6265Y



***Shaft Tolerances**

Shaft Nominal Diameter (inches)	Tolerances (inches)
0.500 (1/2) through 0.625 (5/8)	+0.0000/-0.0004
0.750 (3/4) through 1.125 (1 1/8)	+0.0000/-0.0005
1.250 (1 1/4) through 1.875 (1 7/8)	+0.0000/-0.0006
2.000 (2) through 3.125 (3 1/8)	+0.0000/-0.0007
3.250 (3 1/4) through 4.625 (4 5/8)	+0.0000/-0.0009
4.750 (4 3/4) through 7.000 (7)	+0.0000/-0.0010

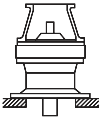
All dimensions are in inches

Model CVVJ	A	B	C	G	H	NO.	M	P	AH
6215	19.29	15.3519 15.3484	27.87	1.38	0.94	8	7.99	0.28	17.32
6225	21.06	16.3359 16.3321	29.61	1.38	1.06	8	8.27	0.39	18.70
6235	22.44	17.7139 17.7100	33.03	1.57	1.06	8	9.84	0.39	20.08
6245	25.00	19.0918 19.0880	34.53	1.57	1.30	8	9.84	0.39	22.05
6255	26.97	21.0600 21.0557	40.94	1.77	1.30	8	11.61	0.39	24.02
6265	29.53	22.4380 22.4336	45.28	1.97	1.54	8	14.17	0.39	25.98

Model CVVJ	Low Speed Shaft				High Speed Shaft			
	U*	V	S	L1	Key	XU*	XV	Key
6215	4.250	6.50	3/4-10UNC	1.34	1 X 1 X 6.50	1.875	3.23	1/2 X 1/2 X 3.23
6225	4.625	6.50	3/4-10UNC	1.34	1-1/4 X 7/8 X 6.50	2.125	3.23	1/2 X 1/2 X 3.23
6235	5.000	7.87	1-8UNC	1.61	1-1/4 X 7/8 X 7.87	2.250	4.13	1/2 X 1/2 X 4.13
6245	5.500	7.87	1-8UNC	1.61	1-1/4 X 7/8 X 7.87	2.500	4.13	5/8 X 5/8 X 4.13
6255	6.250	9.45	1-1/4-7UNC	1.93	1-1/2 X 1 X 9.45	3.125	5.12	3/4 X 3/4 X 5.12
6265	6.625	11.81	1-1/4-7UNC	1.93	1-3/4 X 1-1/4 X 11.8	3.125	5.12	3/4 X 3/4 X 5.12

Speed Reducers

Dimensions



Dimensions Vertical V-Flange Mount, C-Face

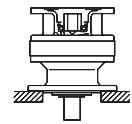
Single Reduction CVVJ-6215 ▶ 6265 (cont.)

All dimensions are in inches

Model CVVJ	Motor Frame	AJ	AK	BD	BB	BF	R	CE	XJ	Z	Min. I.D.	Approx Wt. (lb)
6215Y	254TC~256CTC	7.25	8.500	9.84	0.22	0.59	4	32.63	4.75	0.57	5.91	802
	284TC~286TC	9.00	10.500	11.10	0.22	0.59	4	33.26	5.38	0.57	6.89	807
	324TC~326TC	11.00	12.500	13.86	0.22	0.71	4	34.37	6.50	0.57	8.27	832
	364TC~365TC	11.00	12.500	13.86	0.22	0.71	8	35.12	7.24	0.57	8.46	824
	364TC~365TSC	11.00	12.500	13.86	0.22	0.71	8	33.00	5.12	0.57	8.46	869
6225Y	254TC~256CTC	7.25	8.500	11.10	0.22	0.59	4	34.37	4.76	0.57	5.51	1015
	284TC~286TC	9.00	10.500	11.10	0.22	0.59	4	35.00	5.39	0.57	6.30	1014
	324TC~326TC	11.00	12.500	13.86	0.22	0.71	4	36.11	6.50	0.57	8.46	1025
	364TC~365TC	11.00	12.500	13.86	0.22	0.71	8	36.85	7.24	0.57	8.46	1027
	364TC~365TSC	11.00	12.500	13.86	0.22	0.71	8	34.74	5.14	0.57	8.46	1019
	404TC~405TC	11.00	12.500	13.86	0.22	0.71	8	38.23	8.63	0.57	8.46	1035
6235Y	404TC~405TSC	11.00	12.500	13.86	0.22	0.71	8	35.24	5.63	0.57	8.46	1021
	364TC~365TC	11.00	12.500	13.86	0.22	0.71	4	39.57	6.54	0.57	8.66	1217
6245Y	404TC~405TC	11.00	12.500	13.86	0.22	0.71	8	41.69	8.66	0.57	8.46	1239
	324TC~326TC	11.00	12.500	14.57	0.22	0.71	4	41.06	6.54	0.57	8.27	1497
6245Y	364TC~365TC	11.00	12.500	13.86	0.22	0.71	8	41.77	7.24	0.57	8.46	1490
	404TC~405TC	11.00	12.500	13.86	0.22	0.71	8	43.15	8.63	0.57	8.46	1484
	364TC~365TC	11.00	12.500	13.86	0.22	0.71	8	48.20	7.25	0.57	9.45	2189
6255Y	404TC~405TC	11.00	12.500	13.86	0.22	0.71	8	49.57	8.63	0.57	9.45	2220
	364TC~365TC	11.00	12.500	15.75	0.22	0.71	8	52.52	7.24	0.57	9.45	2828
6265Y	404TC~405TC	11.00	12.500	15.75	0.22	0.71	8	53.91	8.63	0.57	9.45	2859

Speed Reducers

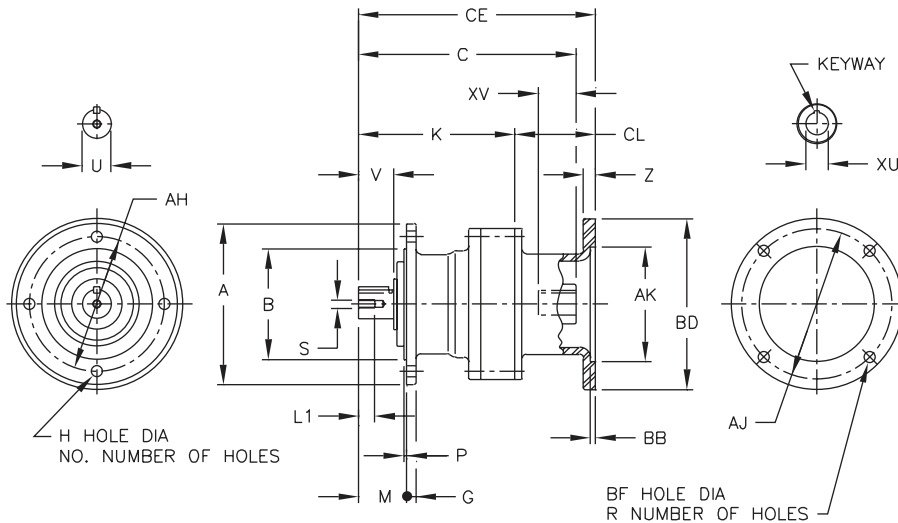
Dimensions



Dimensions Universal V-Flange Mount, Hollow Input

Single Reduction

CNVX-6060/5Y ▶ 6120/5Y



***Shaft Tolerances**

Shaft Nominal Diameter (inches)	Tolerances (inches)
0.500 (1/2) through 0.625 (5/8)	+0.0000/-0.0004
0.750 (3/4) through 1.125 (1 1/8)	+0.0000/-0.0005
1.250 (1 1/4) through 1.875 (1 7/8)	+0.0000/-0.0006

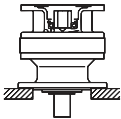
All dimensions are in inches

Model CNVX	A	B	G	H	K	NO.	M	P	AH
6060/5Y	4.72	3.1484 3.1466	0.31	0.35	3.62	6	1.34	0.12	4.02
6070/5Y	6.30	4.3293 4.3272	0.35	0.43	3.86	4	1.65	0.12	5.28
6080/5Y	6.30	4.3293 4.3272	0.35	0.43	5.08	4	1.89	0.12	5.28
6090/5Y	6.30	4.3293 4.3272	0.35	0.43	5.59	4	1.89	0.12	5.28
6100/5Y	6.30	4.3293 4.3272	0.35	0.43	6.14	4	1.89	0.12	5.28
6110/5Y	8.27	5.5101 5.5076	0.43	0.43	6.69	6	2.28	0.16	7.09
6120/5Y	8.27	5.5101 5.5076	0.51	0.43	7.32	6	2.72	0.16	7.09

Model CNVX	U*	V	Low Speed Shaft S	L1	Key
6060/5Y	0.500	0.98	10-32UNF	0.63	1/8 X 1/8 X 0.79
6070/5Y	0.750	1.18	12-28UNF	0.63	3/16 X 3/16 X 1.06
6080/5Y	0.875	1.38	12-28UNF	0.63	3/16 X 3/16 X 1.18
6090/5Y	1.125	1.38	5/16-18UNC	0.79	1/4 X 1/4 X 1.18
6100/5Y	1.125	1.38	5/16-18UNC	0.79	1/4 X 1/4 X 1.18
6110/5Y	1.250	1.77	5/16-18UNC	0.79	1/4 X 1/4 X 1.46
6120/5Y	1.500	2.17	5/16-18UNC	0.79	3/8 X 3/8 X 1.77

Speed Reducers

Dimensions



Dimensions Universal V-Flange Mount, Hollow Input

Single Reduction CNVX-6060/5Y ▶ 6120/5Y (cont.)

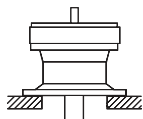
All dimensions are in inches

Model CNVX	Motor Frame	AJ	AK	BD	BB	BF	R	CE	CL	C	Z	High Speed Shaft			Approx Wt. (lb)	
												XU	XV	Keyway		
6060/5Y	56C	5.88	4.50	6.69	0.20	0.43	4	6.61	2.99	5.59	0.47	0.625	+0.0007 -0.0000	1.10	3/16 x 3/32	12
	143TC-145TC	5.88	4.50	6.69	0.20	0.43	4	6.85	2.99	5.83	0.47	0.625	+0.0007 -0.0000	1.10	3/16 x 3/32	14
6080/5Y	56C	5.88	4.50	6.69	0.20	0.43	4	8.19	3.11	7.54	0.47	0.625	+0.0007 -0.0000	1.56	3/16 x 3/32	26
	143TC-145TC	5.88	4.50	6.69	0.20	0.43	4	8.19	3.11	7.54	0.47	0.875	+0.0008 -0.0000	1.56	3/16 x 3/32	26
6090/5Y	56C	5.88	4.50	6.69	0.20	0.43	4	8.94	3.35	7.91	0.47	0.625	+0.0007 -0.0000	1.18	3/16 x 3/32	24
	143TC-145TC	5.88	4.50	6.69	0.20	0.43	4	8.94	3.35	8.31	0.47	0.875	+0.0008 -0.0000	1.57	3/16 x 3/32	24
6100/5Y	56C	5.88	4.50	6.69	0.20	0.43	4	9.29	3.15	8.23	0.47	0.625	+0.0007 -0.0000	1.18	3/16 x 3/32	29
	143TC-145TC	5.88	4.50	6.69	0.20	0.43	4	9.29	3.15	8.70	0.47	0.875	+0.0008 -0.0000	1.65	3/16 x 3/32	29
6110/5Y	56C	5.88	4.50	6.69	0.20	0.43	4	9.96	3.27	9.31	0.47	0.625	+0.0007 -0.0000	1.56	3/16 x 3/32	35
	143TC-145TC	5.88	4.50	6.69	0.20	0.43	4	9.96	3.27	9.31	0.47	0.875	+0.0008 -0.0000	1.56	3/16 x 3/32	35
	182TC-184TC	7.25	8.50	8.98	0.22	0.59	4	10.71	4.02	9.61	0.69	1.125	+0.0008 -0.0000	1.85	1/4 x 1/8	41
6120/5Y	56C	5.88	4.50	6.69	0.22	0.43	4	11.30	3.98	10.25	0.47	0.625	+0.0007 -0.0000	1.18	3/16 x 3/32	59
	143TC-145TC	5.88	4.50	6.69	0.22	0.43	4	11.30	3.98	10.45	0.47	0.875	+0.0016 -0.0008	1.50	3/16 x 3/32	59
	182TC-184TC	7.25	8.50	8.98	0.22	0.55	4	12.44	5.12	11.55	0.67	1.125	+0.0016 -0.0008	2.48	1/4 x 1/8	62
	213TC-215TC	7.25	8.50	8.98	0.22	0.55	4	12.44	5.12	11.67	0.67	1.375	+0.0020 -0.00010	2.64	5/16 x 5/32	62

Speed Reducers

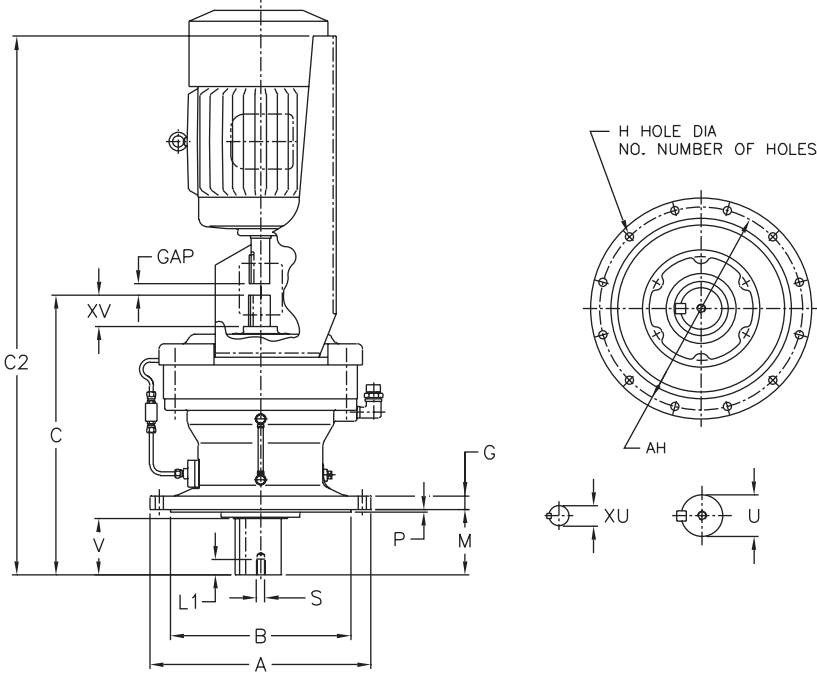
Dimensions

This page intentionally left blank.



Dimensions Vertical and Universal V-Flange Mount, Shovel Base

Single Reduction CNV^[1]-6120/5Y-SB CVV^[1]-6130/5Y ▶ 6140/5Y-SB



***Shaft Tolerances**

Shaft Nominal Diameter (inches)	Tolerances (inches)
0.500 (1/2) through 0.625 (5/8)	+0.0000/-0.0004
0.750 (3/4) through 1.125 (1 1/8)	+0.0000/-0.0005
1.250 (1 1/4) through 1.875 (1 7/8)	+0.0000/-0.0006
2.000 (2) through 3.125 (3 1/8)	+0.0000/-0.0007
3.250 (3 1/4) through 4.625 (4 5/8)	+0.0000/-0.0009
4.750 (4 3/4) through 7.000 (7)	+0.0000/-0.0010

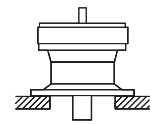
All dimensions are in inches

Model CNV CVV ^[1]	A	B	C	G	H	NO.	M	P	AH
6120/5Y-SB	8.27	5.5101 5.5076	10.20	0.51	0.43	6	2.72	0.16	7.09
6130/5Y-SB	10.24	7.8720 7.8692	12.64	0.59	0.43	6	2.99	0.16	9.06
6140/5Y-SB	10.24	7.8720 7.8692	13.43	0.59	0.43	6	3.78	0.16	9.06

Model CNV CVV ^[1]	Low Speed Shaft					High Speed Shaft		
	U*	V	S	L1	Key	XU*	XV	Key
6120/5Y-SB	1.500	2.17	5/16-18UNC	0.79	3/8 X 3/8 X 1.77	0.750	1.38	3/16 X 3/16 X 1.02
6130/5Y-SB	1.875	2.40	3/8-16UNC	0.71	1/2 X 1/2 X 2.16	0.875	1.57	3/16 X 3/16 X 1.38
6140/5Y-SB	1.875	3.19	3/8-16UNC	0.71	1/2 X 1/2 X 2.95	0.875	1.57	3/16 X 3/16 X 1.38

Model CNV, CVV ^[1]	Dimensions	143T	145T	182T	184T	213T	215T	254T	256T	284T	286T	324T	326T	364T	365T
6120/5Y-SB	C2	24.25		24.25		28.74									
	GAP	0.50 0.52		0.71		0.88									
	WT W/O MOTOR	83		81		96									
6130/5Y-SB	C2	30.83		30.83		30.83		34.84							
	GAP	0.50 0.52		0.71		0.88		1.00							
	WT W/O MOTOR	125		125		135		135							
6140/5Y-SB	C2	31.61		31.61		31.61		35.63							
	GAP	0.50 0.52		0.71		0.88		1.00							
	WT W/O MOTOR	171		146		143		154							

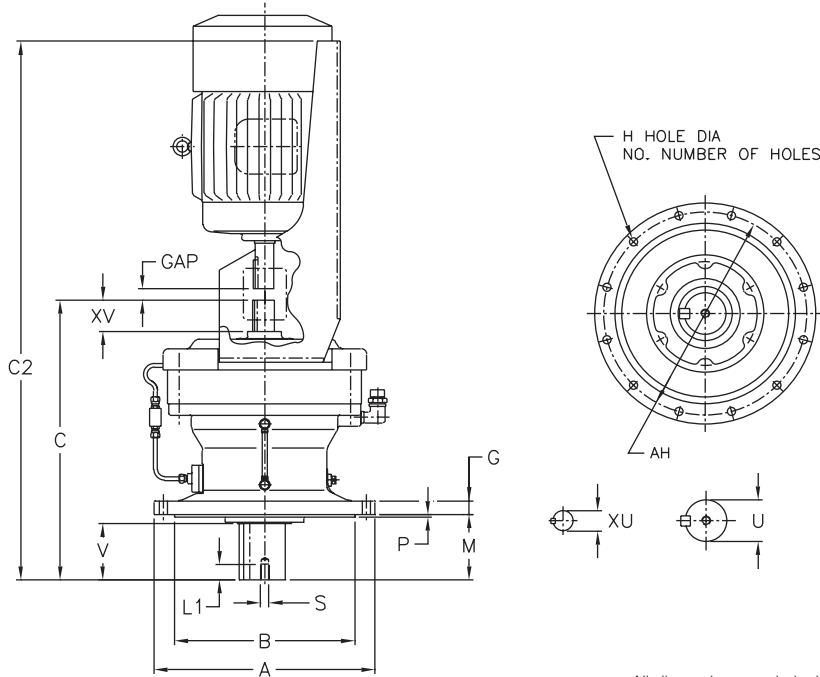
Note: [1] Model 6120/5Y-SB is type CNV; Models 6130/5Y-SB and 6140/5Y-SB are type CVV.



Dimensions Vertical V-Flange Mount, Shovel Base

Single Reduction

CVV-6160/5Y ▶ 6235Y-SB



All dimensions are in inches

Model CVV	A	B	C	G	H	NO.	M	P	AH
6160/5Y-SB	13.39	10.6277 10.6245	16.26	0.79	0.43	6	3.50	0.16	12.20
6170/5Y-SB	15.75	12.4385 12.4350	18.78	0.87	0.55	8	3.70	0.20	14.17
6180/5Y-SB	16.93	13.5802 13.5767	20.75	0.87	0.71	8	4.33	0.20	15.35
6190/5Y-SB	19.29	15.7456 15.7421	24.41	1.18	0.71	12	5.71	0.24	17.72
6205Y-SB	17.91	13.9739 13.9704	26.69	1.18	0.87	8	8.03	0.20	15.94
6215Y-SB	19.29	15.3519 15.3484	27.87	1.38	0.94	8	7.99	0.28	17.32
6225Y-SB	21.06	16.3359 16.3321	29.61	1.38	1.06	8	8.27	0.39	18.70
6235Y-SB	22.44	17.7139 17.7100	33.03	1.57	1.06	8	9.84	0.39	20.08

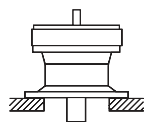
*Shaft Tolerances

Shaft Nominal Diameter (inches)	Tolerances (inches)
0.500 (1/2) through 0.625 (5/8)	+0.0000/-0.0004
0.750 (3/4) through 1.125 (1 1/8)	+0.0000/-0.0005
1.250 (1 1/4) through 1.875 (1 7/8)	+0.0000/-0.0006
2.000 (2) through 3.125 (3 1/8)	+0.0000/-0.0007
3.250 (3 1/4) through 4.625 (4 5/8)	+0.0000/-0.0009
4.750 (4 3/4) through 7.000 (7)	+0.0000/-0.0010

Model CVV	Low Speed Shaft				Key	High Speed Shaft		
	U*	V	S	L1		XU*	XV	Key
6160/5Y-SB	2.250	3.15	3/8-16UNC	0.71	1/2 X 1/2 X 2.95	1.125	1.77	1/4 X 1/4 X 1.77
6170/5Y-SB	2.750	3.31	1/2-13UNC	0.94	5/8 X 5/8 X 3.15	1.375	2.17	5/16 X 5/16 X 2.16
6180/5Y-SB	3.125	3.94	1/2-13UNC	0.94	3/4 X 3/4 X 3.74	1.500	2.56	3/8 X 3/8 X 2.56
6190/5Y-SB	3.625	4.92	3/4-10UNC	1.34	7/8 X 7/8 X 4.92	1.750	2.76	3/8 X 3/8 X 2.76
6205Y-SB	3.875	6.50	3/4-10UNC	1.34	1 X 1 X 6.50	1.750	3.23	3/8 X 3/8 X 3.23
6215Y-SB	4.250	6.50	3/4-10UNC	1.34	1 X 1 X 6.50	1.875	3.23	1/2 X 1/2 X 3.23
6225Y-SB	4.625	6.50	3/4-10UNC	1.34	1-1/4 X 7/8 X 6.50	2.125	3.23	1/2 X 1/2 X 3.23
6235Y-SB	5.000	7.87	1-8UNC	1.61	1-1/4 X 7/8 X 7.87	2.250	4.13	1/2 X 1/2 X 4.13

Speed Reducers

Dimensions



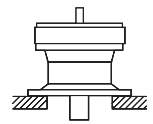
Dimensions Vertical V-Flange Mount, Shovel Base

Single Reduction CVV-6160/5Y ▶ 6235Y-SB (cont.)

All dimensions are in inches

Model	Dimensions	143T	145T	182T	184T	213T	215T	254T	256T	284T	286T	324T	326T	364T	365T
6160Y	C2	32.68		32.68		37.68		37.68		40.87					
	GAP	0.50		0.75		0.88		1.00		1.00					
	WT W/O MOTOR	220		218		239		234		276					
6170/5Y	C2	34.41		34.41		37.83		43.43		43.43		46.14			
	GAP	0.71		0.71		0.88		1.00		1.00		1.50			
	WT W/O MOTOR	320		318		326		390		382		401			
6180/5Y	C2			40.04		40.04		46.02		46.02		50.04			
	GAP			0.88		0.88		1.00		1.00		1.50			
	WT W/O MOTOR			405		402		455		447		471			
6190/5Y	C2					47.01		47.01		52.09		52.07			
	GAP					1.00		1.00		1.00		1.50			
	WT W/O MOTOR					602		597		656		646			
6205Y	C2					47.81		47.81		53.88		53.88		54.82	
	GAP					1.00		1.00		1.00		1.50		1.63	
	WT W/O MOTOR					645		655		685		740		812	
6215Y	C2						45.43	51.81		51.81		54.88		56.81	
	GAP						1.00	1.00		1.00		1.50		1.63	
	WT W/O MOTOR						763	822		814		832		851	
6225Y	C2							51.42		56.50		56.50		59.41	
	GAP							1.00		1.00		1.50		1.63	
	WT W/O MOTOR							995		1031		1021		1036	
6235Y	C2									59.88		59.88		61.85	
	GAP									1.00		1.50		1.63	
	WT W/O MOTOR									1214		1204		1216	

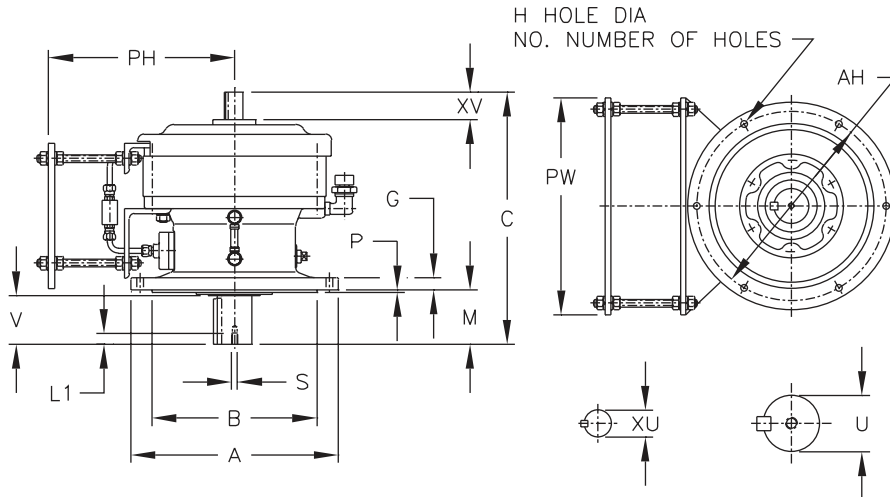
Speed Reducers
Dimensions



Dimensions Universal and Vertical V-Flange Side Mount

Single Reduction

CNVP-6110/5Y ▶ 6120/5Y, CVVP-6130/5Y ▶ 6235Y^[1]



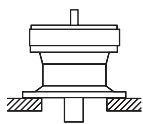
All dimensions are in inches

Model CNVP CVVP ^[1]	A	B	C	G	H	NO.	M	P	AH
6110/5Y	8.27	5.5101 5.5076	8.58	0.43	0.43	6	2.28	0.16	7.09
6120/5Y	8.27	5.5101 5.5076	10.20	0.51	0.43	6	2.72	0.16	7.09
6130/5Y	10.24	7.8720 7.8692	12.64	0.59	0.43	6	2.99	0.16	9.06
6140/5Y	10.24	7.8720 7.8692	13.43	0.59	0.43	6	3.78	0.16	9.06
6160/5Y	13.39	10.6277 10.6245	16.26	0.79	0.43	6	3.50	0.16	12.20
6170/5Y	15.75	12.4385 12.4350	18.78	0.87	0.55	8	3.70	0.20	14.17
6180/5Y	16.93	13.5802 13.5767	20.75	0.87	0.71	8	4.33	0.20	15.35
6190/5Y	19.29	15.7456 15.7421	24.41	1.18	0.71	12	5.71	0.24	17.72
6205Y	17.91	13.9739 13.9704	26.69	1.18	0.87	8	8.03	0.20	15.94
6215Y	19.29	15.3519 15.3484	27.87	1.38	0.94	8	7.99	0.28	17.32
6225Y	21.06	16.3359 16.3321	29.61	1.38	1.06	8	8.27	0.39	18.70
6235Y	22.44	17.7139 17.7100	33.03	1.57	1.06	8	9.84	0.39	20.08

***Shaft Tolerances**

Shaft Nominal Diameter (inches)	Tolerances (inches)
0.500 (1/2) through 0.625 (5/8)	+0.0000/-0.0004
0.750 (3/4) through 1.125 (1 1/8)	+0.0000/-0.0005
1.250 (1 1/4) through 1.875 (1 7/8)	+0.0000/-0.0006
2.000 (2) through 3.125 (3 1/8)	+0.0000/-0.0007
3.250 (3 1/4) through 4.625 (4 5/8)	+0.0000/-0.0009
4.750 (4 3/4) through 7.000 (7)	+0.0000/-0.0010

Note: [1] Models 6110/5Y and 6120/5Y are type CNVP; Models 6130/5Y - 6235Y are type CVVP.



Dimensions Universal and Vertical V-Flange Side Mount

Single Reduction

CNVP-6110/5Y ▶ 6120/5Y, CVVP-6130/5Y ▶ 6235Y^[1, 2] (cont.)

All dimensions are in inches

Model CNVP CVVP ^[1]	Low Speed Shaft					High Speed Shaft		
	U*	V	S	L1	Key	XU*	XV	Key
6110/5Y	1.250	1.77	5/16-18UNC	0.79	1/4 X 1/4 X 1.46	0.625	0.98	3/16 X 3/16 X 0.75
6120/5Y	1.500	2.17	5/16-18UNC	0.79	3/8 X 3/8 X 1.77	0.750	1.38	3/16 X 3/16 X 1.02
6130/5Y	1.875	2.40	3/8-16UNC	0.71	1/2 X 1/2 X 2.16	0.875	1.57	3/16 X 3/16 X 1.38
6140/5Y	1.875	3.19	3/8-16UNC	0.71	1/2 X 1/2 X 2.95	0.875	1.57	3/16 X 3/16 X 1.38
6160/5Y	2.250	3.15	3/8-16UNC	0.71	1/2 X 1/2 X 2.95	1.125	1.77	1/4 X 1/4 X 1.77
6170/5Y	2.750	3.31	1/2-13UNC	0.94	5/8 X 5/8 X 3.15	1.375	2.17	5/16 X 5/16 X 2.16
6180/5Y	3.125	3.94	1/2-13UNC	0.94	3/4 X 3/4 X 3.74	1.500	2.56	3/8 X 3/8 X 2.56
6190/5Y	3.625	4.92	3/4-10UNC	1.34	7/8 X 7/8 X 4.92	1.750	2.76	3/8 X 3/8 X 2.76
6205Y	3.875	6.50	3/4-10UNC	1.34	1 X 1 X 6.50	1.750	3.23	3/8 X 3/8 X 3.23
6215Y	4.250	6.50	3/4-10UNC	1.34	1 X 1 X 6.50	1.875	3.23	1/2 X 1/2 X 3.23
6225Y	4.625	6.50	3/4-10UNC	1.34	1-1/4 X 7/8 X 6.50	2.125	3.23	1/2 X 1/2 X 3.23
6235Y	5.000	7.87	1-8UNC	1.61	1-1/4 X 7/8 X 7.87	2.250	4.13	1/2 X 1/2 X 4.13

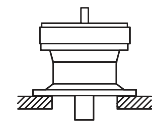
Model CNVP CVVP ^[1, 2]	Dimensions	Frame Sizes																			
		56	143T	145T	182T	184T	213T	215T	254T	256T	284T	286T	324T	326T	364T	365T	404T	405T	444T	445T	447T
6110/5Y	PH MIN	7.08				7.08															
6120/5Y	PH MAX	9.53				9.53															
	PW	12.01				14.96															
6130/5Y	PH MIN	7.59				7.59															
	PH MAX	9.91				9.91															
	PW	14.96				17.01															
6140/5Y	PH MIN	7.59				7.59															
	PH MAX	9.91				9.91															
	PW	14.96				17.01															
6160/5Y	PH MIN	9.16				9.29		9.29													
	PH MAX	12.17				12.17		12.11													
	PW	14.02				17.01		18.03													
6170/5Y	PH MIN	10.20				10.20		10.20													
	PH MAX	13.08				13.02		13.08													
	PW	17.01				17.01		18.50													
6180/5Y	PH MIN					10.71		10.71													
	PH MAX					14.09		14.03													
	PW					17.01		20.00													
6190/5Y	PH MIN					12.28				12.28											
	PH MAX					15.45				15.39											
	PW					20.00				24.02											
6205Y	PH MIN					13.30		13.52		13.52											
	PH MAX					17.13		17.00		17.00											
	PW					15.98		18.98		24.02											
6215Y	PH MIN					14.27				14.52											
	PH MAX					18.25				18.25											
	PW					24.02				28.03											
6225Y	PH MIN					14.78				15.26											
	PH MAX					18.76				18.74											
	PW					24.02				28.03											
6235Y	PH MIN					15.64		15.77		15.77				16.27							
	PH MAX					19.87		19.75		19.75				19.75							
	PW					15.98		18.98		24.02				28.03							

Speed Reducers

Dimensions

Note: [1] Models 6110/5Y and 6120/5Y are type CNVP; Models 6130/5Y - 6235Y are type CVVP.

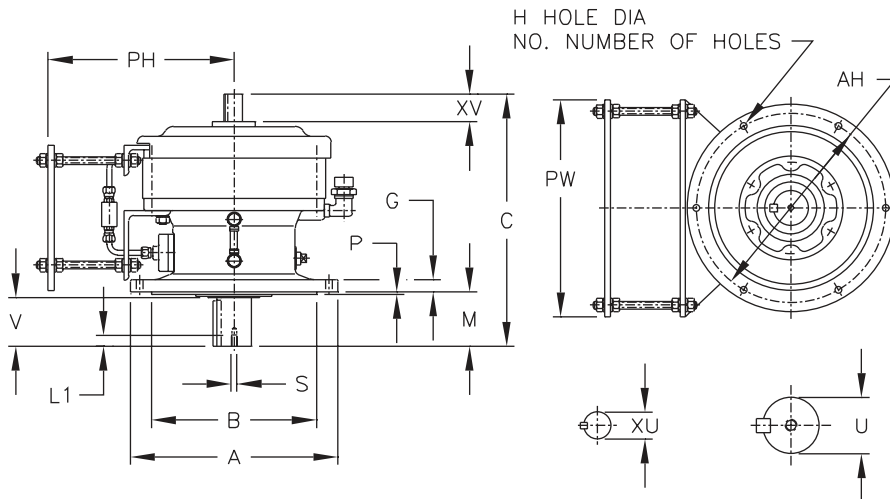
[2] Because the Cyclo® reducer is so compact, in certain frame sizes the motor may extend below the Cyclo® mounting flange. Please consult factory for additional information.



Dimensions Vertical V-Flange Side Mount

Single Reduction

CVVP-6245Y ▶ 6275Y



***Shaft Tolerances**

Shaft Nominal Diameter (inches)	Tolerances (inches)
0.500 (1/2) through 0.625 (5/8)	+0.0000/-0.0004
0.750 (3/4) through 1.125 (1 1/8)	+0.0000/-0.0005
1.250 (1 1/4) through 1.875 (1 7/8)	+0.0000/-0.0006
2.000 (2) through 3.125 (3 1/8)	+0.0000/-0.0007
3.250 (3 1/4) through 4.625 (4 5/8)	+0.0000/-0.0009
4.750 (4 3/4) through 7.000 (7)	+0.0000/-0.0010

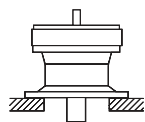
All dimensions are in inches

Model CVVP	A	B	C	G	H	NO.	M	P	AH
6245Y	25.00	19.0918 19.0880	34.53	1.57	1.30	8	9.84	0.39	22.05
6255Y	26.97	21.0600 21.0557	40.94	1.77	1.30	8	11.61	0.39	24.02
6265Y	29.53	22.4380 22.4336	45.28	1.97	1.54	8	14.17	0.39	25.98
6275Y	45.67	35.4297 35.4242	57.56	2.36	1.54	8	13.98	0.39	40.16

Model CVVP	Low Speed Shaft				High Speed Shaft			
	U*	V	S	L1	Key	XU*	XV	Key
6245Y	5.500	7.87	1-8UNC	1.61	1-1/4 X 7/8 X 7.87	2.500	4.13	5/8 X 5/8 X 4.13
6255Y	6.250	9.45	1-1/4-7UNC	1.93	1-1/2 X 1 X 9.45	3.125	5.12	3/4 X 3/4 X 5.12
6265Y	6.625	11.81	1-1/4-7UNC	1.93	1-3/4 X 1-1/4 X 11.8	3.125	5.12	3/4 X 3/4 X 5.12
6275Y	7.000	12.60	1-1/4-7UNC	2.05	1-3/4 X 1-1/4 X 13	3.500	5.91	7/8 X 7/8 X 5.90

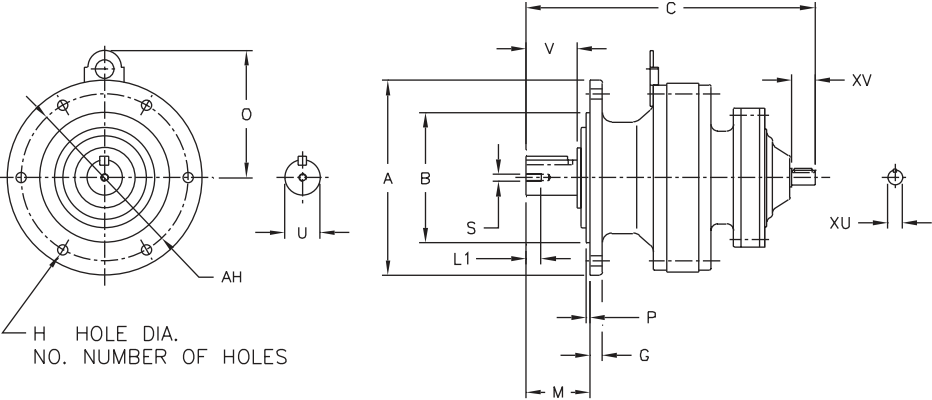
Model CVVP ^[1]	Dimensions	56	143T	145T	182T	184T	213T	215T	254T	256T	284T	286T	324T	326T	364T	365T	404T	405T	444T	445T	447T
		6245Y	PH MIN MAX PW								17.05 20.80 22.05				17.05 20.80 24.02		17.58 20.82 28.03				
6255Y	PH MIN MAX PW										18.31 22.06 24.02				18.80 22.04 28.03		18.80 22.04 30.00				
6265Y	PH MIN MAX PW												19.29 25.04 24.02		19.82 25.07 28.03					19.82 25.07 30.00	
6275Y	PH MIN MAX PW														23.44 28.69 34.02						

Note: [1] Because the Cyclo® reducer is so compact, in certain frame sizes the motor may extend below the Cyclo® mounting flange. Please consult factory for additional information.



Dimensions Universal V-Flange Mount

Double Reduction
CNV-6060/5DAY ▶ 6120/5DBY



H HOLE DIA.
 NO. NUMBER OF HOLES

***Shaft Tolerances**

Shaft Nominal Diameter (inches)	Tolerances (inches)
0.500 (1/2) through 0.625 (5/8)	+0.0000/-0.0004
0.750 (3/4) through 1.125 (1 1/8)	+0.0000/-0.0005
1.250 (1 1/4) through 1.875 (1 7/8)	+0.0000/-0.0006
2.000 (2) through 3.125 (3 1/8)	+0.0000/-0.0007
3.250 (3 1/4) through 4.625 (4 5/8)	+0.0000/-0.0009
4.750 (4 3/4) through 7.000 (7)	+0.0000/-0.0010

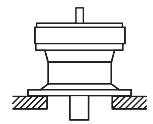
All dimensions are in inches

Model CNV	A	B	C	G	H	NO.	M	O	P	AH
6060/5DAY	4.72	3.1484 3.1466	7.01	0.31	0.35	6	1.34	-	0.12	4.02
6070/5DAY	6.30	4.3293 4.3272	7.24	0.35	0.43	4	1.65	-	0.12	5.28
6090/5DAY	6.30	4.3293 4.3272	9.57	0.35	0.43	4	1.89	4.21	0.12	5.28
6100/5DAY	6.30	4.3293 4.3272	10.12	0.35	0.43	4	1.89	4.21	0.12	5.28
6120/5DBY	8.27	5.5101 5.5076	12.28	0.51	0.43	6	2.72	5.39	0.16	7.09

Model CNV	Low Speed Shaft					High Speed Shaft			Approx. Wt. (lb.)
	U*	V	S	L1	Key	XU*	XV	Key	
6060/5DAY	0.500	0.98	10-32UNF	0.63	1/8 X 1/8 X 0.79	0.500	0.98	1/8 X 1/8 X 0.71	11
6070/5DAY	0.750	1.18	12-28UNF	0.63	3/16 X 3/16 X 1.06	0.500	0.98	1/8 X 1/8 X 0.71	15
6090/5DAY	1.125	1.38	5/16-18UNC	0.79	1/4 X 1/4 X 1.18	0.500	0.98	1/8 X 1/8 X 0.71	24
6100/5DAY	1.125	1.38	5/16-18UNC	0.79	1/4 X 1/4 X 1.18	0.500	0.98	1/8 X 1/8 X 0.71	29
6120/5DBY	1.500	2.17	5/16-18UNC	0.79	3/8 X 3/8 X 1.77	0.625	0.98	3/16 X 3/16 X 0.75	64

Speed Reducers

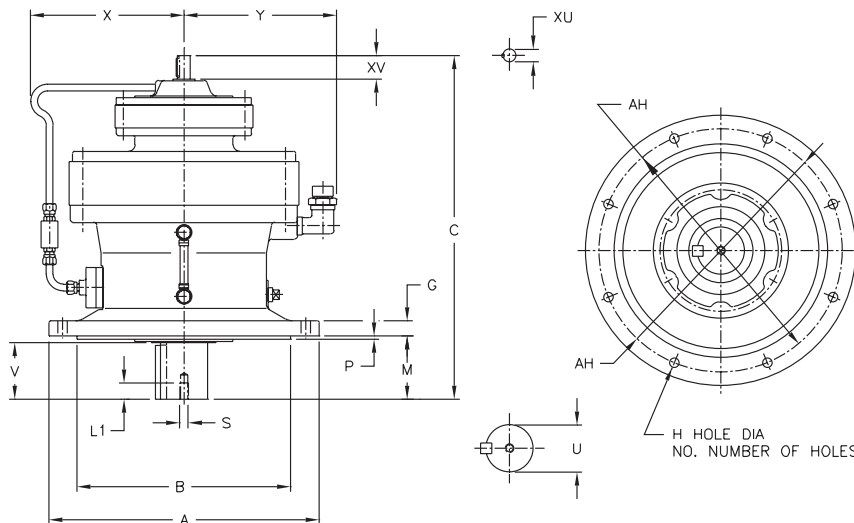
Dimensions



Dimensions Vertical V-Flange Mount

Double Reduction

CVV-6130/5DAY ▶ 6275DAY



***Shaft Tolerances**

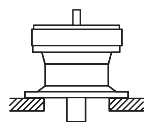
Shaft Nominal Diameter (inches)	Tolerances (inches)
0.500 (1/2) through 0.625 (5/8)	+0.0000/-0.0004
0.750 (3/4) through 1.125 (1 1/8)	+0.0000/-0.0005
1.250 (1 1/4) through 1.875 (1 7/8)	+0.0000/-0.0006
2.000 (2) through 3.125 (3 1/8)	+0.0000/-0.0007
3.250 (3 1/4) through 4.625 (4 5/8)	+0.0000/-0.0009
4.750 (4 3/4) through 7.000 (7)	+0.0000/-0.0010

All dimensions are in inches

Model CVV	A	B	C	G	H	NO.	M	P	AH	X	Y
6130/5DAY	10.24	7.8720 7.8692	13.66	0.59	0.43	6	2.99	0.16	9.06	-	-
6130/5DBY	10.24	7.8720 7.8692	14.29	0.59	0.43	6	2.99	0.16	9.06	-	-
6130/5DCY	10.24	7.8720 7.8692	14.53	0.59	0.43	6	2.99	0.16	9.06	-	-
6140/5DAY	10.24	7.8720 7.8692	14.45	0.59	0.43	6	3.78	0.16	9.06	-	-
6140/5DBY	10.24	7.8720 7.8692	15.08	0.59	0.43	6	3.78	0.16	9.06	-	-
6140/5DCY	10.24	7.8720 7.8692	15.31	0.59	0.43	6	3.78	0.16	9.06	-	-
6160/5DCY	13.39	10.6277 10.6245	18.19	0.79	0.43	6	3.50	0.16	12.20	7.72	7.87
6170/5DCY	15.75	12.4385 12.4350	20.04	0.87	0.55	8	3.70	0.20	14.17	8.58	8.86
6180/5DBY	16.93	13.5802 13.5767	22.72	0.87	0.71	8	4.33	0.20	15.35	9.17	9.45
6190/5DAY	19.29	15.7456 15.7421	24.76	1.18	0.71	12	5.71	0.24	17.72	10.04	10.63
6190/5DBY	19.29	15.7456 15.7421	25.71	1.18	0.71	12	5.71	0.24	17.72	10.04	10.63
6205DAY	17.91	13.9739 13.9704	26.38	1.18	0.87	8	8.03	0.20	15.94	13.43	11.30
6205DBY	17.91	13.9739 13.9704	27.76	1.18	0.87	8	8.03	0.20	15.94	13.43	11.30
6215DAY	19.29	15.3519 15.3484	28.78	1.38	0.94	8	7.99	0.28	17.32	13.70	12.05
6215DBY	19.29	15.3519 15.3484	30.71	1.38	0.94	8	7.99	0.28	17.32	13.70	12.05
6225DAY	21.06	16.3359 16.3321	30.43	1.38	1.06	8	8.27	0.39	18.70	13.86	12.83
6225DBY	21.06	16.3359 16.3321	33.86	1.38	1.06	8	8.27	0.39	18.70	13.86	12.83
6235DAY	22.44	17.7139 17.7100	34.76	1.57	1.06	8	9.84	0.39	20.08	14.13	13.54
6235DBY	22.44	17.7139 17.7100	36.93	1.57	1.06	8	9.84	0.39	20.08	14.13	13.54

Speed Reducers

Dimensions



Dimensions Vertical V-Flange Mount

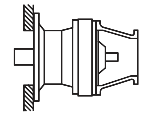
Double Reduction CVV-6130/5DAY ▶ 6275DAY (cont.)

All dimensions are in inches

Model CVV	A	B	C	G	H	NO.	M	P	AH	X	Y
6245DAY	25.00	19.0918 19.0880	36.26	1.57	1.30	8	9.84	0.39	22.05	14.57	14.61
6245DBY	25.00	19.0918 19.0880	38.39	1.57	1.30	8	9.84	0.39	22.05	14.57	14.61
6255DAY	26.97	21.0600 21.0557	42.56	1.77	1.30	8	11.61	0.39	24.02	15.55	15.71
6255DBY	26.97	21.0600 21.0557	44.61	1.77	1.30	8	11.61	0.39	24.02	15.55	15.71
6265DAY	29.53	22.4380 22.4336	48.94	1.97	1.54	8	14.17	0.39	25.98	16.81	16.97
6275DAY	45.67	35.4297 35.4242	59.21	2.36	1.54	8	13.98	0.39	40.16	24.02	24.13

Model CVV	Low Speed Shaft					High Speed Shaft			Approx. Wt. (lb.)
	U*	V	S	L1	Key	XU*	XV	Key	
6130/5DAY	1.875	2.40	3/8-16UNC	0.71	1/2 X 1/2 X 2.16	0.500	0.98	1/8 X 1/8 X 0.71	89
6130/5DBY	1.875	2.40	3/8-16UNC	0.71	1/2 X 1/2 X 2.16	0.625	0.98	3/16 X 3/16 X 0.75	95
6130/5DCY	1.875	2.40	3/8-16UNC	0.71	1/2 X 1/2 X 2.16	0.625	0.98	3/16 X 3/16 X 0.75	97
6140/5DAY	1.875	3.19	3/8-16UNC	0.71	1/2 X 1/2 X 2.95	0.500	0.98	1/8 X 1/8 X 0.71	89
6140/5DBY	1.875	3.19	3/8-16UNC	0.71	1/2 X 1/2 X 2.95	0.625	0.98	3/16 X 3/16 X 0.75	95
6140/5DCY	1.875	3.19	3/8-16UNC	0.71	1/2 X 1/2 X 2.95	0.625	0.98	3/16 X 3/16 X 0.75	97
6160/5DCY	2.250	3.15	3/8-16UNC	0.71	1/2 X 1/2 X 2.95	0.750	1.38	3/16 X 3/16 X 1.02	198
6170/5DCY	2.750	3.31	1/2-13UNC	0.94	5/8 X 5/8 X 3.15	0.750	1.38	3/16 X 3/16 X 1.02	276
6180/5DBY	3.125	3.94	1/2-13UNC	0.94	3/4 X 3/4 X 3.74	0.875	1.57	3/16 X 3/16 X 1.38	377
6190/5DAY	3.625	4.92	3/4-10UNC	1.34	7/8 X 7/8 X 4.92	0.750	1.38	3/16 X 3/16 X 1.02	505
6190/5DBY	3.625	4.92	3/4-10UNC	1.34	7/8 X 7/8 X 4.92	0.875	1.57	3/16 X 3/16 X 1.38	529
6205DAY	3.875	6.50	3/4-10UNC	1.34	1 X 1 X 6.50	0.750	1.38	3/16 X 3/16 X 1.02	542
6205DBY	3.875	6.50	3/4-10UNC	1.34	1 X 1 X 6.50	0.875	1.57	3/16 X 3/16 X 1.38	569
6215DAY	4.250	6.50	3/4-10UNC	1.34	1 X 1 X 6.50	0.875	1.57	3/16 X 3/16 X 1.38	734
6215DBY	4.250	6.50	3/4-10UNC	1.34	1 X 1 X 6.50	1.125	1.77	1/4 X 1/4 X 1.77	783
6225DAY	4.625	6.50	3/4-10UNC	1.34	1-1/4 X 7/8 X 6.5	0.875	1.57	3/16 X 3/16 X 1.38	900
6225DBY	4.625	6.50	3/4-10UNC	1.34	1-1/4 X 7/8 X 6.5	1.375	2.17	5/16 X 5/16 X 2.16	1003
6235DAY	5.000	7.87	1-8UNC	1.61	1-1/4 X 7/8 X 7.87	1.125	1.77	1/4 X 1/4 X 1.77	1125
6235DBY	5.000	7.87	1-8UNC	1.61	1-1/4 X 7/8 X 7.87	1.500	2.56	3/8 X 3/8 X 2.56	1200
6245DAY	5.500	7.87	1-8UNC	1.61	1-1/4 X 7/8 X 7.87	1.125	1.77	1/4 X 1/4 X 1.77	1332
6245DBY	5.500	7.87	1-8UNC	1.61	1-1/4 X 7/8 X 7.87	1.500	2.56	3/8 X 3/8 X 2.56	1396
6255DAY	6.250	9.45	1-1/4-7UNC	1.93	1-1/2 X 1 X 9.45	1.375	2.17	5/16 X 5/16 X 2.16	2040
6255DBY	6.250	9.45	1-1/4-7UNC	1.93	1-1/2 X 1 X 9.45	1.750	2.76	3/8 X 3/8 X 2.76	2190
6265DAY	6.625	11.81	1-1/4-7UNC	1.93	1-3/4 X 1-1/4 X 11.8	1.750	2.76	3/8 X 3/8 X 2.76	2789
6275DAY	7.000	12.60	1-1/4-7UNC	2.05	1-3/4 X 1-1/4 X 13	1.750	2.76	3/8 X 3/8 X 2.76	5865

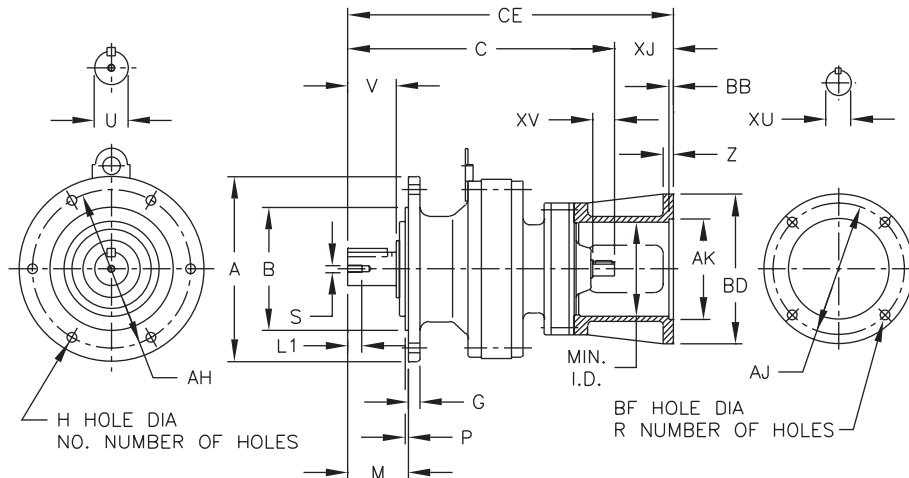
Speed Reducers
Dimensions



Dimensions Universal V-Flange Mount, C-Face

Double Reduction

CNVJ-6060/5DAY ▶ 6120/5DBY



***Shaft Tolerances**

Shaft Nominal Diameter (inches)	Tolerances (inches)
0.500 (1/2) through 0.625 (5/8)	+0.0000/-0.0004
0.750 (3/4) through 1.125 (1 1/8)	+0.0000/-0.0005
1.250 (1 1/4) through 1.875 (1 7/8)	+0.0000/-0.0006
2.000 (2) through 3.125 (3 1/8)	+0.0000/-0.0007
3.250 (3 1/4) through 4.625 (4 5/8)	+0.0000/-0.0009
4.750 (4 3/4) through 7.000 (7)	+0.0000/-0.0010

All dimensions are in inches

Model CNVJ	A	B	C	G	H	NO.	M	P	AH
6060/5DAY	4.72	3.1484 3.1466	7.01	0.31	0.35	6	1.34	0.12	4.02
6070/5DAY	6.30	4.3293 4.3272	7.24	0.35	0.43	4	1.65	0.12	5.28
6090/5DAY	6.30	4.3293 4.3272	9.57	0.35	0.43	4	1.89	0.12	5.28
6100/5DAY	6.30	4.3293 4.3272	10.12	0.35	0.43	4	1.89	0.12	5.28
6120/5DBY	8.27	5.5101 5.5076	12.28	0.51	0.43	6	2.72	0.16	7.09

Speed Reducers

Dimensions

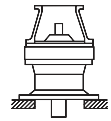
Model CNVJ	Low Speed Shaft					High Speed Shaft		
	U*	V	S	L1	Key	XU*	XV	Key
6060/5DAY	0.500	0.98	10-32UNF	0.63	1/8 X 1/8 X 0.79	0.500	0.98	1/8 X 1/8 X 0.71
6070/5DAY	0.750	1.18	12-28UNF	0.63	3/16 X 3/16 X 1.06	0.500	0.98	1/8 X 1/8 X 0.71
6090/5DAY	1.125	1.38	5/16-18UNC	0.79	1/4 X 1/4 X 1.18	0.500	0.98	1/8 X 1/8 X 0.71
6100/5DAY	1.125	1.38	5/16-18UNC	0.79	1/4 X 1/4 X 1.18	0.500	0.98	1/8 X 1/8 X 0.71
6120/5DBY	1.500	2.17	5/16-18UNC	0.79	3/8 X 3/8 X 1.77	0.625	0.98	3/16 X 3/16 X 0.75

Model CNVJ	Motor Frame	AJ	AK	BD	BB	BF	R	CE	XJ	Z	Min. I.D.	Approx Wt. (lb)
6060/5DAY	42C	3.75	3.000	4.33	-	0.28	4	8.79	1.78	0.47	2.44	14
	48C	3.75	3.000	4.33	-	0.28	4	9.17	2.16	0.47	2.44	14
6070/5DAY	42C	3.75	3.000	4.33	-	0.28	4	9.02	1.78	0.47	2.44	18
	48C	3.75	3.000	4.33	-	0.28	4	9.40	2.16	0.47	2.44	18
6090/5DAY	42C	3.75	3.000	4.33	-	0.28	4	11.35	1.78	0.47	2.44	27
	48C	3.75	3.000	4.33	-	0.28	4	11.72	2.16	0.47	2.44	27
6100/5DAY	56C~145TC	5.87	4.500	6.69	-	0.43	4	12.13	2.56	0.47	3.15	30
	42C	3.75	3.000	4.33	-	0.28	4	11.90	1.78	0.47	2.44	32
6120/5DBY	48C	3.75	3.000	4.33	-	0.28	4	12.28	2.16	0.47	2.44	32
	56C~145TC	5.87	4.500	6.69	-	0.43	4	12.68	2.56	0.47	3.15	34
6120/5DBY	42C	3.75	3.000	4.33	-	0.28	4	14.06	1.78	0.47	2.44	69
	48C	3.75	3.000	4.33	-	0.28	4	14.44	2.16	0.47	2.44	69
6120/5DBY	56C~145TC	5.87	4.500	6.69	-	0.43	4	14.91	2.63	0.47	4.21	71

This page intentionally left blank.

Speed Reducers

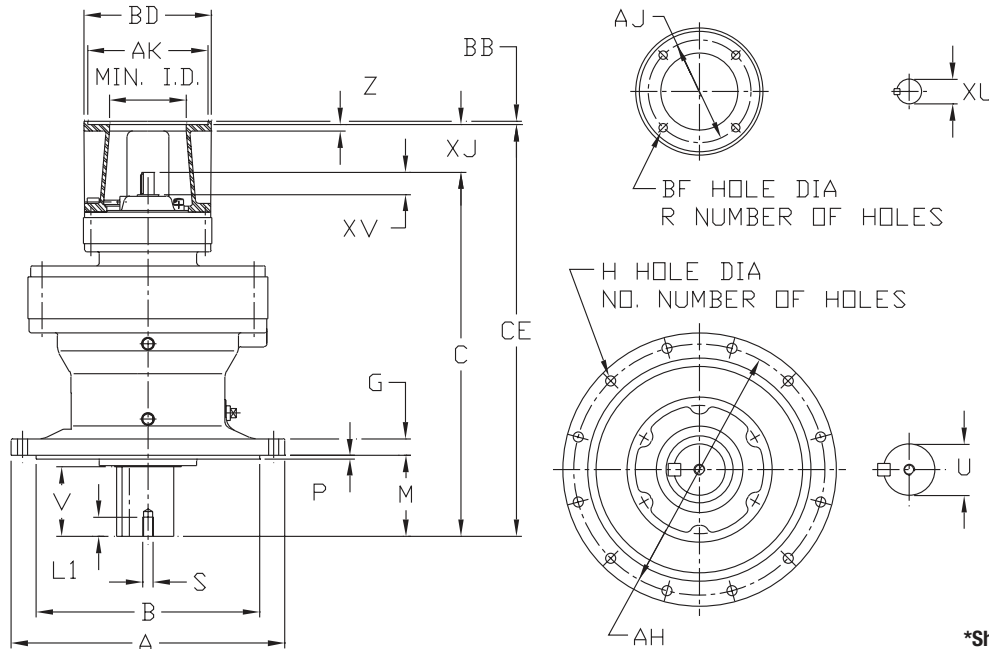
Dimensions



Dimensions Vertical V-Flange Mount, C-Face

Double Reduction

CVVJ-6130/5DAY ▶ 6140/5DCY



All dimensions are in inches

***Shaft Tolerances**

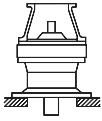
Shaft Nominal Diameter (inches)	Tolerances (inches)
0.500 (1/2) through 0.625 (5/8)	+0.0000/-0.0004
0.750 (3/4) through 1.125 (1 1/8)	+0.0000/-0.0005
1.250 (1 1/4) through 1.875 (1 7/8)	+0.0000/-0.0006
2.000 (2) through 3.125 (3 1/8)	+0.0000/-0.0007
3.250 (3 1/4) through 4.625 (4 5/8)	+0.0000/-0.0009
4.750 (4 3/4) through 7.000 (7)	+0.0000/-0.0010

Speed Reducers

Dimensions

Model CVVJ	A	B	C	G	H	NO.	M	P	AH
6130/5DAY	10.24	7.8720 7.8692	13.66	0.59	0.43	6	2.99	0.16	9.06
6130/5DBY	10.24	7.8720 7.8692	14.29	0.59	0.43	6	2.99	0.16	9.06
6130/5DCY	10.24	7.8720 7.8692	14.53	0.59	0.43	6	2.99	0.16	9.06
6140/5DAY	10.24	7.8720 7.8692	14.45	0.59	0.43	6	3.78	0.16	9.06
6140/5DBY	10.24	7.8720 7.8692	15.08	0.59	0.43	6	3.78	0.16	9.06
6140/5DCY	10.24	7.8720 7.8692	15.31	0.59	0.43	6	3.78	0.16	9.06

Model CVVJ	Low Speed Shaft				High Speed Shaft			
	U*	V	S	L1	Key	XU*	XV	Key
6130/5DAY	1.875	2.40	3/8-16UNC	0.71	1/2 X 1/2 X 2.16	0.500	0.98	1/8 X 1/8 X 0.71
6130/5DBY	1.875	2.40	3/8-16UNC	0.71	1/2 X 1/2 X 2.16	0.625	0.98	3/16 X 3/16 X 0.75
6130/5DCY	1.875	2.40	3/8-16UNC	0.71	1/2 X 1/2 X 2.16	0.625	0.98	3/16 X 3/16 X 0.75
6140/5DAY	1.875	3.19	3/8-16UNC	0.71	1/2 X 1/2 X 2.95	0.500	0.98	1/8 X 1/8 X 0.71
6140/5DBY	1.875	3.19	3/8-16UNC	0.71	1/2 X 1/2 X 2.95	0.625	0.98	3/16 X 3/16 X 0.75
6140/5DCY	1.875	3.19	3/8-16UNC	0.71	1/2 X 1/2 X 2.95	0.625	0.98	3/16 X 3/16 X 0.75

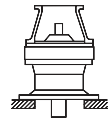


Dimensions Vertical V-Flange Mount, C-Face

Double Reduction CVVJ-6130/5DAY ▶ 6140/5DCY (cont.)

All dimensions are in inches

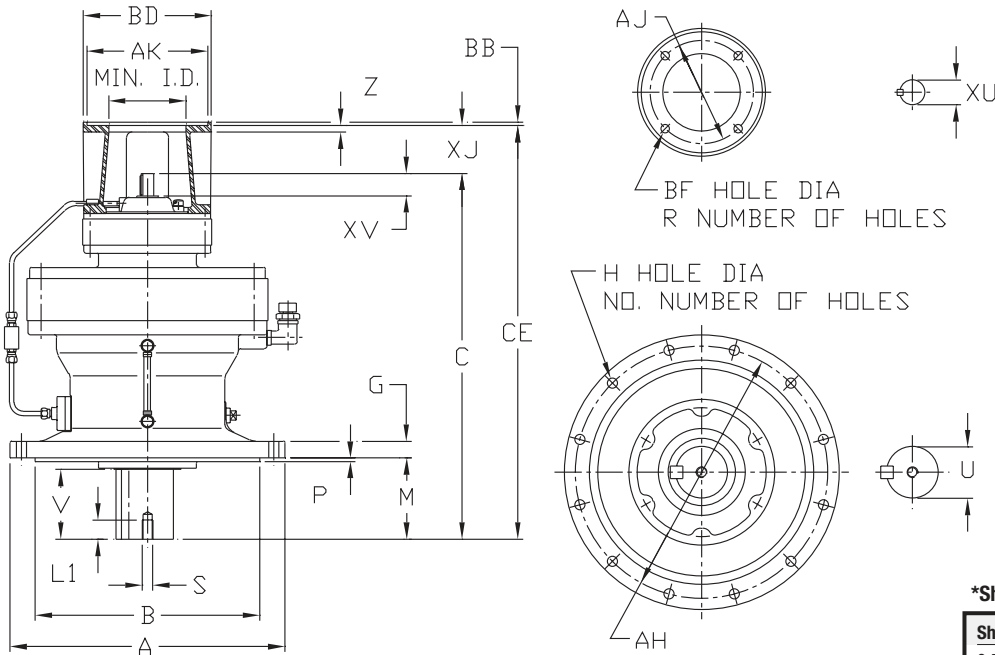
Model CVVJ	Motor Frame	AJ	AK	BD	BB	BF	R	CE	XJ	Z	Min. I.D.	Approx Wt. (lb)
6130/5DAY	42C	3.75	3.000	4.33	-	0.28	4	15.44	1.78	0.47	2.44	93
	48C	3.75	3.000	4.33	-	0.28	4	15.82	2.16	0.47	2.44	93
	56C~143TC	5.88	4.500	6.69	-	0.43	4	16.22	2.56	0.47	4.21	95
6130/5DBY	42C	3.75	3.000	4.33	-	0.28	4	16.07	1.78	0.47	2.44	99
	48C	3.75	3.000	4.33	-	0.28	4	16.45	2.16	0.47	2.44	101
	56C~143TC	5.88	4.500	6.69	-	0.43	4	16.92	2.63	0.47	4.21	103
6130/5DCY	48C	3.75	3.000	4.33	-	0.28	4	16.69	2.16	0.47	2.44	102
	56C~145TC	5.87	4.500	6.69	-	0.43	4	17.15	2.63	0.47	4.21	104
6140/5DAY	42C	3.75	3.000	4.33	-	0.28	4	16.23	1.78	0.47	2.44	93
	48C	3.75	3.000	4.33	-	0.28	4	16.61	2.16	0.47	2.44	93
	56C~143TC	5.88	4.500	6.69	-	0.43	4	17.01	2.56	0.47	4.21	95
6140/5DBY	42C	3.75	3.000	4.33	-	0.28	4	16.86	1.78	0.47	2.44	100
	48C	3.75	3.000	4.33	-	0.28	4	17.24	2.16	0.47	2.44	100
	56C~145TC	5.88	4.500	6.69	-	0.43	4	17.70	2.63	0.47	4.21	102
6140/5DCY	48C	3.75	3.000	4.33	-	0.28	4	17.47	2.16	0.47	2.44	103
	56C~145TC	5.88	4.500	6.69	-	0.43	4	17.94	2.63	0.47	4.21	104
	182TC~184TC	7.25	8.500	8.98	0.22	0.55	4	18.98	3.67	0.47	5.43	108



Dimensions Vertical V-Flange Mount, C-Face

Double Reduction

CVVJ-6160/5DCY ▶ 6205DBY



*Shaft Tolerances

Shaft Nominal Diameter (inches)	Tolerances (inches)
0.500 (1/2) through 0.625 (5/8)	+0.0000/-0.0004
0.750 (3/4) through 1.125 (1 1/8)	+0.0000/-0.0005
1.250 (1 1/4) through 1.875 (1 7/8)	+0.0000/-0.0006
2.000 (2) through 3.125 (3 1/8)	+0.0000/-0.0007
3.250 (3 1/4) through 4.625 (4 5/8)	+0.0000/-0.0009
4.750 (4 3/4) through 7.000 (7)	+0.0000/-0.0010

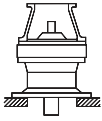
All dimensions are in inches

Speed Reducers

Dimensions

Model CVVJ	A	B	C	G	H	NO.	M	P	AH
6160/5DCY	13.39	10.6277 10.6245	18.19	0.79	0.43	6	3.50	0.16	12.20
6170/5DCY	15.75	12.4385 12.4350	20.04	0.87	0.55	8	3.70	0.20	14.17
6180/5DBY	16.93	13.5802 13.5767	22.72	0.87	0.71	8	4.33	0.20	15.35
6190/5DAY	19.29	15.7456 15.7421	24.76	1.18	0.71	12	5.71	0.24	17.72
6190/5DBY	19.29	15.7456 15.7421	25.71	1.18	0.71	12	5.71	0.24	17.72
6205DAY	17.91	13.9739 13.9704	26.38	1.18	0.87	8	8.03	0.20	15.94
6205DBY	17.91	13.9739 13.9704	27.76	1.18	0.87	8	8.03	0.20	15.94

Model CVVJ	Low Speed Shaft					High Speed Shaft		
	U*	V	S	L1	Key	XU*	XV	Key
6160/5DCY	2.250	3.15	3/8-16UNC	0.71	1/2 X 1/2 X 2.95	0.750	1.38	3/16 X 3/16 X 1.02
6170/5DCY	2.750	3.31	1/2-13UNC	0.94	5/8 X 5/8 X 3.15	0.750	1.38	3/16 X 3/16 X 1.02
6180/5DBY	3.125	3.94	1/2-13UNC	0.94	3/4 X 3/4 X 3.74	0.875	1.57	3/16 X 3/16 X 1.38
6190/5DAY	3.625	4.92	3/4-10UNC	1.34	7/8 X 7/8 X 4.92	0.750	1.38	3/16 X 3/16 X 1.02
6190/5DBY	3.625	4.92	3/4-10UNC	1.34	7/8 X 7/8 X 4.92	0.875	1.57	3/16 X 3/16 X 1.38
6205DAY	3.875	6.50	3/4-10UNC	1.34	1 X 1 X 6.50	0.750	1.38	3/16 X 3/16 X 1.02
6205DBY	3.875	6.50	3/4-10UNC	1.34	1 X 1 X 6.50	0.875	1.57	3/16 X 3/16 X 1.38



Dimensions Vertical V-Flange Mount, C-Face

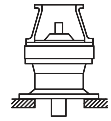
Double Reduction CVVJ-6160/5DCY ▶ 6205DBY (cont.)

All dimensions are in inches

Model CVVJ	Motor Frame	AJ	AK	BD	BB	BF	R	CE	XJ	Z	Min. I.D.	Approx Wt. (lb)
6160/5DCY	56C~145TC	5.88	4.500	6.69	-	0.43	4	20.81	2.63	0.47	4.21	208
	182TC~184TC	7.25	8.500	8.98	0.22	0.55	4	21.56	3.37	0.47	5.43	212
6170/5DCY	56C~145TC	5.88	4.500	6.69	-	0.43	4	22.67	2.63	0.47	4.21	285
	182TC~184TC	7.25	8.500	8.98	0.22	0.55	4	23.41	3.37	0.47	5.43	289
6180/5DBY	56C~145TC	5.88	4.500	6.69	-	0.43	4	25.34	2.63	0.47	4.21	389
	182TC~184TC	7.25	8.500	8.98	0.22	0.54	4	26.09	3.37	0.47	5.43	393
	213TC~215TC	7.25	8.500	8.98	0.22	0.54	4	26.72	4.00	1.10	5.43	400
	254TC~256TC	7.25	8.500	8.98	0.22	0.55	4	27.65	4.93	0.57	5.08	402
6190/5DAY	56C~145TC	5.88	4.500	6.69	-	0.43	4	27.39	2.63	0.47	4.21	515
	182TC~184TC	7.25	8.500	8.98	0.22	0.55	4	28.13	3.37	0.47	5.43	518
6190/5DBY	56C~145TC	5.88	4.500	6.69	-	0.43	4	28.33	2.63	0.47	4.21	541
	182TC~184TC	7.25	8.500	8.98	0.22	0.54	4	29.08	3.37	0.47	5.43	545
	213TC~215TC	7.25	8.500	8.98	0.22	0.54	4	29.71	4.00	1.10	5.43	552
	254TC~256TC	7.25	8.500	8.98	0.22	0.55	4	30.64	4.93	0.57	5.08	554
6205DAY	56C~145TC	5.88	4.500	6.69	-	0.43	4	29.00	2.63	0.47	4.21	552
	182TC~184TC	7.25	8.500	8.98	0.22	0.55	4	29.75	3.37	0.47	5.43	556
6205DBY	56C~145TC	5.87	4.500	6.69	-	0.43	4	30.38	2.63	0.47	4.21	581
	182TC~184TC	7.25	8.500	8.98	0.22	0.54	4	31.13	3.37	0.47	5.43	585
	213TC~215TC	7.25	8.500	8.98	0.22	0.54	4	31.76	4.00	1.10	5.43	592
	254TC~256TC	7.25	8.500	8.98	0.22	0.55	4	32.69	4.93	0.57	5.08	593

Speed
Reducers

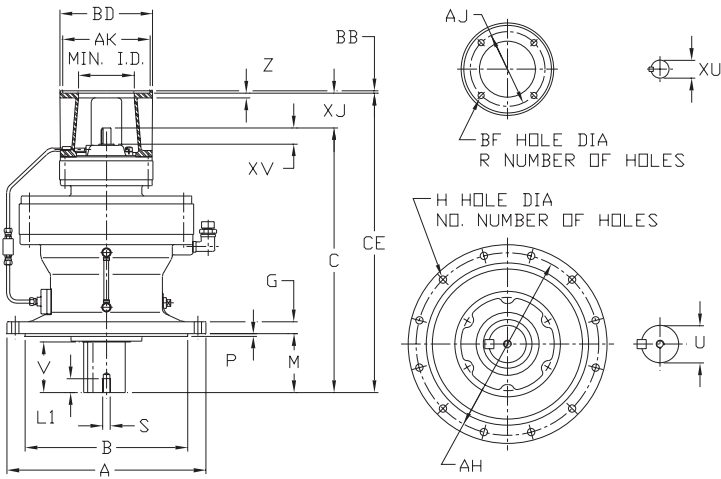
Dimensions



Dimensions Vertical V-Flange Mount, C-Face

Double Reduction

CVVJ-6215DAY ▶ 6275DAY



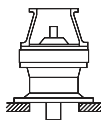
*Shaft Tolerances

Shaft Nominal Diameter (inches)	Tolerances (inches)
0.500 (1/2) through 0.625 (5/8)	+0.0000/-0.0004
0.750 (3/4) through 1.125 (1 1/8)	+0.0000/-0.0005
1.250 (1 1/4) through 1.875 (1 7/8)	+0.0000/-0.0006
2.000 (2) through 3.125 (3 1/8)	+0.0000/-0.0007
3.250 (3 1/4) through 4.625 (4 5/8)	+0.0000/-0.0009
4.750 (4 3/4) through 7.000 (7)	+0.0000/-0.0010

All dimensions are in inches

Model CVVJ	A	B	C	G	H	NO.	M	P	AH
6215DAY	19.29	15.3519 15.3484	28.78	1.38	0.94	8	7.99	0.28	17.32
6215DBY	19.29	15.3519 15.3484	30.71	1.38	0.94	8	7.99	0.28	17.32
6225DAY	21.06	16.3359 16.3321	30.43	1.38	1.06	8	8.27	0.39	18.70
6225DBY	21.06	16.3359 16.3321	33.86	1.38	1.06	8	8.27	0.39	18.70
6235DAY	22.44	17.7139 17.7100	34.76	1.57	1.06	8	9.84	0.39	20.08
6235DBY	22.44	17.7139 17.7100	36.93	1.57	1.06	8	9.84	0.39	20.08
6245DAY	25.00	19.0918 19.0880	36.26	1.57	1.30	8	9.84	0.39	22.05
6245DBY	25.00	19.0918 19.0880	38.39	1.57	1.30	8	9.84	0.39	22.05
6255DAY	26.97	21.0600 21.0557	42.56	1.77	1.30	8	11.61	0.39	24.02
6255DBY	26.97	21.0600 21.0557	44.61	1.77	1.30	8	11.61	0.39	24.02
6265DAY	29.53	22.4380 22.4336	48.94	1.97	1.54	8	14.17	0.39	25.98
6275DAY	45.67	35.4297 35.4242	59.21	2.36	1.54	8	13.98	0.39	40.16

Model CVVJ	Low Speed Shaft					High Speed Shaft		
	U*	V	S	L1	Key	XU*	XV	Key
6215DAY	4.250	6.50	3/4-10UNC	1.34	1 X 1 X 6.50	0.875	1.57	3/16 X 3/16 X 1.38
6215DBY	4.250	6.50	3/4-10UNC	1.34	1 X 1 X 6.50	1.125	1.77	1/4 X 1/4 X 1.77
6225DAY	4.625	6.50	3/4-10UNC	1.34	1-1/4 X 7/8 X 6.5	0.875	1.57	3/16 X 3/16 X 1.38
6225DBY	4.625	6.50	3/4-10UNC	1.34	1-1/4 X 7/8 X 6.5	1.375	2.17	5/16 X 5/16 X 2.16
6235DAY	5.000	7.87	1-8UNC	1.61	1-1/4 X 7/8 X 7.87	1.125	1.77	1/4 X 1/4 X 1.77
6235DBY	5.000	7.87	1-8UNC	1.61	1-1/4 X 7/8 X 7.87	1.500	2.56	3/8 X 3/8 X 2.56
6245DAY	5.500	7.87	1-8UNC	1.61	1-1/4 X 7/8 X 7.87	1.125	1.77	1/4 X 1/4 X 1.77
6245DBY	5.500	7.87	1-8UNC	1.61	1-1/4 X 7/8 X 7.87	1.500	2.56	3/8 X 3/8 X 2.56
6255DAY	6.250	9.45	1-1/4-7UNC	1.93	1-1/2 X 1 X 9.45	1.375	2.17	5/16 X 5/16 X 2.16
6255DBY	6.250	9.45	1-1/4-7UNC	1.93	1-1/2 X 1 X 9.45	1.750	2.76	3/8 X 3/8 X 2.76
6265DAY	6.625	11.81	1-1/4-7UNC	1.93	1-3/4 X 1-1/4 X 11.8	1.750	2.76	3/8 X 3/8 X 2.76
6275DAY	7.000	12.60	1-1/4-7UNC	2.05	1-3/4 X 1-1/4 X 13	1.750	2.76	3/8 X 3/8 X 2.76



Dimensions Vertical V-Flange Mount, C-Face

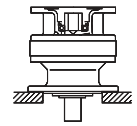
Double Reduction CVVJ-6215DAY ▶ 6275DAY (cont.)

All dimensions are in inches

Model CVVJ	Motor Frame	AJ	AK	BD	BB	BF	R	CE	XJ	Z	Min. I.D.	Approx Wt. (lb)
6215DAY	56C~145TC	5.87	4.500	6.69	-	0.43	4	31.41	2.63	0.47	4.21	746
	182TC~184TC	7.25	8.500	8.98	0.22	0.54	4	32.15	3.37	0.47	5.43	750
	213TC~215TC	7.25	8.500	8.98	0.22	0.54	4	32.78	4.00	1.10	5.43	757
	254TC~256TC	7.25	8.500	8.98	0.22	0.55	4	33.71	4.93	0.57	5.08	759
6215DBY	56C~145TC	5.87	4.500	6.69	-	0.43	4	33.33	2.63	0.47	4.21	824
	182TC~184TC	7.25	8.500	8.98	0.22	0.55	4	34.08	3.37	0.57	5.71	829
	213TC~215TC	7.25	8.500	8.98	0.22	0.55	4	34.71	4.00	1.20	5.71	836
	254TC~256TC	7.25	8.500	8.98	0.22	0.55	4	35.46	4.75	0.57	5.71	831
6225DAY	56C~145TC	5.88	4.500	6.69	-	0.43	4	33.06	2.63	0.47	4.21	912
	182TC~184TC	7.25	8.500	8.98	0.22	0.55	4	33.81	3.37	0.47	5.43	916
	213TC~215TC	7.25	8.500	8.98	0.22	0.55	4	34.43	4.00	1.10	5.43	923
	254TC~256TC	7.25	8.500	8.98	0.22	0.55	4	35.36	4.93	0.57	5.08	924
6225DBY	182TC~184TC	7.25	8.500	8.98	0.22	0.55	4	37.24	3.38	0.57	5.71	1041
	213TC~215TC	7.25	8.500	8.98	0.22	0.55	4	37.86	4.00	1.20	5.71	1048
	254TC~256TC	7.25	8.500	8.98	0.22	0.55	4	38.61	4.75	0.57	5.71	1043
	284TC~286TC	9.00	10.500	11.10	0.22	0.55	4	39.30	5.44	0.57	7.87	1054
6235DAY	56C~145TC	5.88	4.500	6.69	-	0.43	4	37.39	2.63	0.47	4.21	1166
	182TC~184TC	7.25	8.500	8.98	0.22	0.55	4	38.14	3.37	0.57	5.71	1171
	213TC~215TC	7.25	8.500	8.98	0.22	0.55	4	38.76	4.00	1.20	5.71	1178
	254TC~256TC	7.25	8.500	8.98	0.22	0.55	4	39.52	4.75	0.57	5.71	1173
6235DBY	182TC~184TC	7.25	8.500	8.98	0.22	0.55	4	40.43	3.50	0.57	5.71	1247
	213TC~215TC	7.25	8.500	8.98	0.22	0.55	4	40.93	4.00	1.07	5.71	1253
	254TC~256TC	7.25	8.500	8.98	0.22	0.55	4	41.68	4.75	0.57	5.71	1261
	284TC~286TC	9.00	10.500	11.10	0.22	0.55	4	42.37	5.44	0.57	7.87	1256
	324TC~326TC	11.00	12.500	13.86	0.22	0.71	4	43.43	6.50	0.57	7.87	1260
6245DAY	56C~145TC	5.88	4.500	6.69	-	0.43	4	38.89	2.63	0.47	4.21	1373
	182TC~184TC	7.25	8.500	8.98	0.22	0.55	4	39.63	3.37	0.57	5.71	1378
	213TC~215TC	7.25	8.500	8.98	0.22	0.55	4	40.26	4.00	1.20	5.71	1385
	254TC~256TC	7.25	8.500	8.98	0.22	0.55	4	41.01	4.75	0.57	5.71	1380
6245DBY	182TC~184TC	7.25	8.500	8.98	0.22	0.55	4	41.89	3.50	0.57	5.71	1444
	213TC~215TC	7.25	8.500	8.98	0.22	0.55	4	42.39	4.00	1.07	5.71	1449
	254TC~256TC	7.25	8.500	8.98	0.22	0.55	4	43.14	4.75	0.57	5.71	1458
	284TC~286TC	9.00	10.500	11.10	0.22	0.55	4	43.82	5.44	0.57	7.87	1452
	324TC~326TC	11.00	12.500	13.86	0.22	0.71	4	44.89	6.50	0.57	7.87	1456
6255DAY	182TC~184TC	7.25	8.500	8.98	0.22	0.55	4	45.94	3.38	0.57	5.71	2078
	213TC~215TC	7.25	8.500	8.98	0.22	0.55	4	46.56	4.00	1.20	5.71	2084
	254TC~256TC	7.25	8.500	8.98	0.22	0.55	4	47.31	4.75	0.57	5.71	2080
	284TC~286TC	9.00	10.500	11.10	0.22	0.55	4	48.00	5.44	0.57	7.87	2091
6255DBY	213TC~215TC	7.25	8.500	8.98	0.22	0.55	4	48.73	4.13	1.29	5.71	2259
	254TC~256TC	7.25	8.500	8.98	0.22	0.55	4	49.36	4.75	0.57	5.71	2252
	284TC~286TC	9.00	10.500	11.10	0.22	0.55	4	50.04	5.44	0.57	7.87	2261
	324TC~326TC	11.00	12.500	13.86	0.22	0.71	4	51.11	6.50	0.57	7.87	2286
6265DAY	213TC~215TC	7.25	8.500	8.98	0.22	0.55	4	53.06	4.13	1.29	5.71	2859
	254TC~256TC	7.25	8.500	8.98	0.22	0.55	4	53.69	4.75	0.57	5.71	2852
	284TC~286TC	9.00	10.500	11.10	0.22	0.55	4	54.37	5.44	0.57	7.87	2861
	324TC~326TC	11.00	12.500	13.86	0.22	0.71	4	55.44	6.50	0.57	7.87	2886
6275DAY	213TC~215TC	7.25	8.500	8.98	0.22	0.55	4	63.34	4.13	1.29	5.71	5935
	254TC~256TC	7.25	8.500	8.98	0.22	0.55	4	63.96	4.75	0.57	5.71	5928
	284TC~286TC	9.00	10.500	11.10	0.22	0.55	4	64.65	5.44	0.57	7.87	5937
	324TC~326TC	11.00	12.500	13.86	0.22	0.71	4	65.71	6.50	0.57	7.87	5962

Speed Reducers

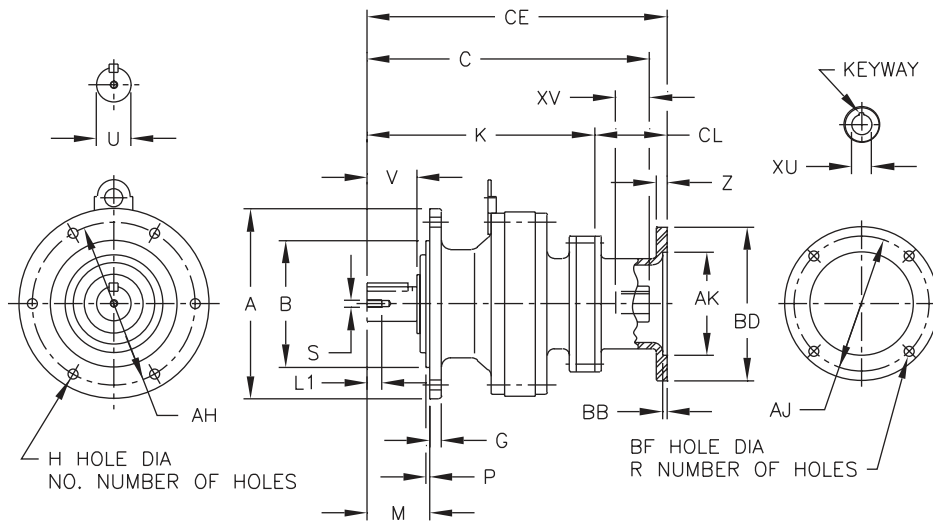
Dimensions



Dimensions Universal and Vertical V-Flange Mount, Hollow Input

Double Reduction

CNVX-6065DAY ▶ 6125DBY, CVVX-6130/5DAY ▶ 6140/5DCY



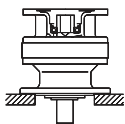
All dimensions are in inches

***Shaft Tolerances**

Shaft Nominal Diameter (inches)	Tolerances (inches)
0.500 (1/2) through 0.625 (5/8)	+0.0000/-0.0004
0.750 (3/4) through 1.125 (1 1/8)	+0.0000/-0.0005
1.250 (1 1/4) through 1.875 (1 7/8)	+0.0000/-0.0006

Model CNVX, CVVX ^[1]	A	B	G	H	K	NO.	M	P	AH
6065DAY	4.72	3.1484 3.1466	0.31	0.35	3.58	6	1.34	0.12	4.02
6075DAY	6.30	4.3293 4.3272	0.35	0.43	3.50	4	1.65	0.12	5.28
6095DAY	6.30	4.3293 4.3272	0.35	0.43	7.48	4	1.89	0.12	5.28
6105DAY	6.30	4.3293 4.3272	0.35	0.43	6.14	4	1.89	0.12	5.28
6125DBY	8.27	5.5101 5.5076	0.51	0.43	7.20	6	2.72	0.16	7.09
6130/5DAY	10.24	7.8270 7.8692	0.59	0.43	11.58	6	2.99	0.16	9.06
6130/5DBY	10.24	7.8270 7.8692	0.59	0.43	11.94	6	2.99	0.16	9.06
6130/5DCY	10.24	7.8270 7.8692	0.59	0.43	9.49	6	2.99	0.16	9.06
6140/5DAY	10.24	7.8270 7.8692	0.59	0.43	12.36	6	3.78	0.16	9.06
6140/5DBY	10.24	7.8270 7.8692	0.59	0.43	8.94	6	3.78	0.16	9.06
6140/5DCY	10.24	7.8270 7.8692	0.59	0.43	13.26	6	3.78	0.16	9.06

Note: [1] Models 6065DA ~ 6215DB are type CNVX; models 6135DC ~ 6145DB are type CVVX



Dimensions Universal and Vertical V-Flange Mount, Hollow Input

Double Reduction CNVX-6065DAY ▶ 6125DBY, CVVX-6130/5DAY ▶ 6140/5DCY (cont.)

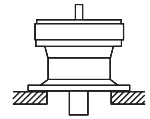
All dimensions are in inches

Model CNVX CVVX ^[1]	Low Speed Shaft				
	U*	V	S	L1	Key
6065DAY	0.500	0.98	10-32UNF	0.63	1/8 X 1/8 X 0.79
6075DAY	0.750	1.18	12-28UNF	0.63	3/16 X 3/16 X 1.06
6095DAY	1.125	1.38	5/16-18UNC	0.79	1/4 X 1/4 X 1.18
6105DAY	1.125	1.38	5/16-18UNC	0.79	1/4 X 1/4 X 1.18
6125DBY	1.500	2.17	5/16-18UNC	0.79	3/8 X 3/8 X 1.77
6130/5DAY	1.875	2.40	3/8-16UNC	0.71	1/2 X 1/2 X 2.16
6130/5DBY	1.875	2.40	3/8-16UNC	0.71	1/2 X 1/2 X 2.16
6130/5DCY	1.875	2.40	3/8-16UNC	0.71	1/2 X 1/2 X 2.16
6140/5DAY	1.875	3.19	3/8-16UNC	0.71	1/2 X 1/2 X 2.95
6140/5DBY	1.875	3.19	3/8-16UNC	0.71	1/2 X 1/2 X 2.95
6140/5DCY	1.875	3.19	3/8-16UNC	0.71	1/2 X 1/2 X 2.95

Model CNVX, CVVX ^[1]	Motor Frame											High Speed Shaft			Approx Wt. (lb)	
		AJ	AK	BD	BB	BF	R	CE	CL	C	Z	XU	XV	Keyway		
6065DAY	56C	5.88	4.50	6.69	0.20	0.43	4	7.91	2.99	7.28	0.47	0.625	+0.0007 -0.00000	1.10	3/16 x 3/32	15
6075DAY	56C	5.88	4.50	6.69	0.20	0.43	4	8.15	2.99	7.13	0.47	0.625	+0.0007 -0.00000	1.10	3/16 x 3/32	19
6095DAY	56C	5.88	4.50	6.69	0.20	0.43	4	10.47	2.99	9.45	0.47	0.625	+0.0007 -0.00000	1.10	3/16 x 3/32	27
6105DAY	56C	5.88	4.50	6.69	0.20	0.43	4	11.02	2.99	10.00	0.47	0.625	+0.0007 -0.00000	1.10	3/16 x 3/32	33
6125DBY	56C	5.88	4.50	6.69	0.20	0.43	4	13.27	3.35	12.24	0.47	0.625	+0.0007 -0.00000	1.18	3/16 x 3/32	68
	143TC-145TC	5.88	4.50	6.69	0.20	0.43	4	13.27	3.35	12.64	0.47	0.875	+0.0008 -0.00000	1.57	3/16 x 3/32	68
6130/5DAY	56C	5.88	4.50	6.69	-	0.43	4	14.57	2.99	13.55	0.47	0.625	+0.0007 -0.00000	1.10	3/16 x 3/32	94
6130/5DBY	56C	5.88	4.50	6.69	-	0.43	4	15.29	3.35	14.42	0.47	0.625	+0.0007 -0.00000	1.18	3/16 x 3/32	100
	143TC-145TC	5.88	4.50	6.69	-	0.43	4	15.29	3.35	14.65	0.47	0.875	+0.0008 -0.00000	1.57	3/16 x 3/32	100
6130/5DCY	56C	5.88	4.50	6.69	0.20	0.43	4	15.63	3.15	14.57	0.47	0.625	+0.0007 -0.00000	1.18	3/16 x 3/32	101
	143TC-145TC	5.88	4.50	6.69	0.20	0.43	4	15.63	3.15	15.04	0.47	0.875	+0.0008 -0.00000	1.65	3/16 x 3/32	101
6140/5DAY	56C	5.88	4.50	6.69	-	0.43	4	15.35	2.99	14.33	0.47	0.625	+0.0007 -0.00000	1.10	3/16 x 3/32	94
6140/5DBY	56C	5.88	4.50	6.69	0.20	0.43	4	16.06	3.35	15.04	0.47	0.625	+0.0007 -0.00000	1.18	3/16 x 3/32	99
	143TC-145TC	5.88	4.50	6.69	0.20	0.43	4	16.06	3.35	15.43	0.47	0.875	+0.0008 -0.00000	1.57	3/16 x 3/32	99
6140/5DCY	56C	5.88	4.50	6.69	-	0.43	4	16.41	3.15	15.35	0.47	0.625	+0.0007 -0.00000	1.18	3/16 x 3/32	101
	143TC-145TC	5.88	4.50	6.69	-	0.43	4	16.41	3.15	15.82	0.47	0.875	+0.0008 -0.00000	1.65	3/16 x 3/32	102

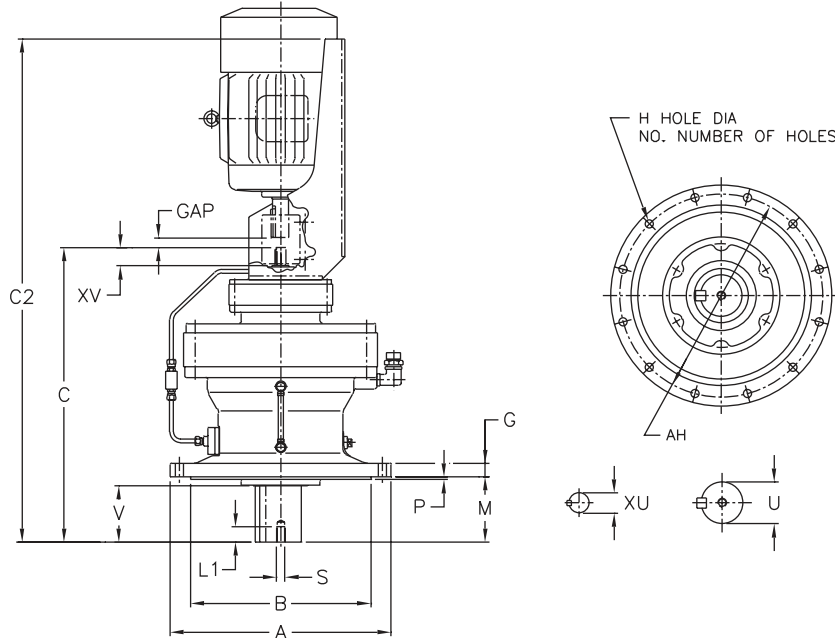
Speed Reducers
Dimensions

Note: [1] Models 6065DA ~ 6215DB are type CNVX; models 6135DC ~ 6145DB are type CVVX



Dimensions Vertical V-Flange Mount, Shovel Base

Double Reduction CVV-6160/5DCY ▶ 6215DBY-SB



***Shaft Tolerances**

Shaft Nominal Diameter (inches)	Tolerances (inches)
0.500 (1/2) through 0.625 (5/8)	+0.0000/-0.0004
0.750 (3/4) through 1.125 (1 1/8)	+0.0000/-0.0005
1.250 (1 1/4) through 1.875 (1 7/8)	+0.0000/-0.0006
2.000 (2) through 3.125 (3 1/8)	+0.0000/-0.0007
3.250 (3 1/4) through 4.625 (4 5/8)	+0.0000/-0.0009
4.750 (4 3/4) through 7.000 (7)	+0.0000/-0.0010

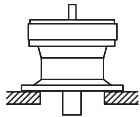
All dimensions are in inches

Speed Reducers

Dimensions

Model CVV	A	B	C	G	H	NO.	M	P	AH
6160/5DCY-SB	13.39	10.6277	18.19	0.79	0.43	6	3.50	0.16	12.20
		10.6245							
6170/5DCY-SB	15.75	12.4385	20.04	0.87	0.55	8	3.70	0.20	14.17
		12.4350							
6180/5DBY-SB	16.93	13.5802	22.72	0.87	0.71	8	4.33	0.20	15.35
		13.5767							
6190/5DAY-SB	19.29	15.7456	24.76	1.18	0.71	12	5.71	0.24	17.72
		15.7421							
6190/5DBY-SB	19.29	15.7456	25.71	1.18	0.71	12	5.71	0.24	17.72
		15.7421							
6205DBY-SB	17.91	13.9739	27.76	1.18	0.87	8	8.03	0.20	15.94
		13.9704							
6215DAY-SB	19.29	15.3519	28.78	1.38	0.94	8	7.99	0.28	17.32
		15.3484							
6215DBY-SB	19.29	15.3519	30.71	1.38	0.94	8	7.99	0.28	17.32
		15.3484							

Model CVV	Low Speed Shaft				Key	High Speed Shaft		
	U*	V	S	L1		XU*	XV	Key
6160/5DCY-SB	2.250	3.15	3/8-16UNC	0.71	1/2 X 1/2 X 2.95	0.750	1.38	3/16 X 3/16 X 1.02
6170/5DCY-SB	2.750	3.31	1/2-13UNC	0.94	5/8 X 5/8 X 3.15	0.750	1.38	3/16 X 3/16 X 1.02
6180/5DBY-SB	3.125	3.94	1/2-13UNC	0.94	3/4 X 3/4 X 3.74	0.875	1.57	3/16 X 3/16 X 1.38
6190/5DAY-SB	3.625	4.92	3/4-10UNC	1.34	7/8 X 7/8 X 4.92	0.750	1.38	3/16 X 3/16 X 1.02
6190/5DBY-SB	3.625	4.92	3/4-10UNC	1.34	7/8 X 7/8 X 4.92	0.875	1.57	3/16 X 3/16 X 1.38
6205DBY-SB	3.875	6.50	3/4-10UNC	1.34	1 X 1 X 6.50	0.875	1.57	3/16 X 3/16 X 1.38
6215DAY-SB	4.250	6.50	3/4-10UNC	1.34	1 X 1 X 6.50	0.875	1.57	3/16 X 3/16 X 1.38
6215DBY-SB	4.250	6.50	3/4-10UNC	1.34	1 X 1 X 6.50	1.125	1.77	1/4 X 1/4 X 1.77



Dimensions Vertical V-Flange Mount, Shovel Base

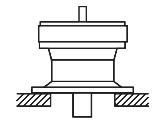
Double Reduction CVV-6160/5DCY ▶ 6215DBY-SB (cont.)

All dimensions are in inches

Model	Dimensions	143T	145T	182T	184T	213T	215T	254T	256T	284T	286T	324T	326T	364T	365T
6160/5DCY-SB	C2	32.24		32.24											
	GAP	0.52		0.71											
	WT W/O MOTOR	231		229											
6170/5DCY-SB	C2	34.09		34.09											
	GAP	0.52		0.71											
	WT W/O MOTOR	308		306											
6180/5DBY-SB	C2	40.91		40.91		40.91									
	GAP	0.52		0.71		0.88									
	WT W/O MOTOR	453		428		425									
6190/5DAY-SB	C2	38.82		38.82											
	GAP	0.52		0.71											
	WT W/O MOTOR	537		535											
6190/5DBY-SB	C2	43.90		43.90		43.90									
	GAP	0.52		0.71		0.88									
	WT W/O MOTOR	605		580		577									
6205DBY-SB	C2		45.94	45.94		45.94									
	GAP		0.52	0.71		0.88									
	WT W/O MOTOR		645	620		617									
6215DAY-SB	C2		46.97	46.97		46.97									
	GAP		0.52	0.71		0.88									
	WT W/O MOTOR		811	785		782									
6215DBY-SB	C2					52.13		52.13							
	GAP					0.88		1.00							
	WT W/O MOTOR					848		843							

Speed Reducers

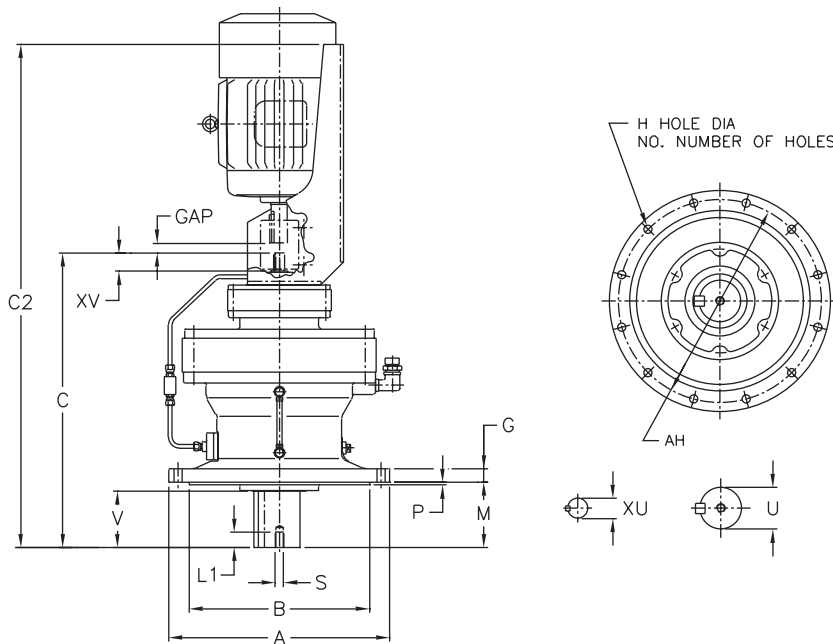
Dimensions



Dimensions Vertical V-Flange Mount, Shovel Base

Double Reduction

CVV-6225DAY ▶ 6265DAY-SB



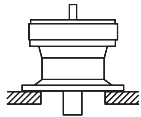
***Shaft Tolerances**

Shaft Nominal Diameter (inches)	Tolerances (inches)
0.500 (1/2) through 0.625 (5/8)	+0.0000/-0.0004
0.750 (3/4) through 1.125 (1 1/8)	+0.0000/-0.0005
1.250 (1 1/4) through 1.875 (1 7/8)	+0.0000/-0.0006
2.000 (2) through 3.125 (3 1/8)	+0.0000/-0.0007
3.250 (3 1/4) through 4.625 (4 5/8)	+0.0000/-0.0009
4.750 (4 3/4) through 7.000 (7)	+0.0000/-0.0010

All dimensions are in inches

Model CVV	A	B	C	G	H	NO.	M	P	AH
6225DAY-SB	21.06	16.3359 16.3321	30.43	1.38	1.06	8	8.27	0.39	18.70
6225DBY-SB	21.06	16.3359 16.3321	33.86	1.38	1.06	8	8.27	0.39	18.70
6235DAY-SB	22.44	17.7139 17.7100	34.76	1.57	1.06	8	9.84	0.39	20.08
6235DBY-SB	22.44	17.7139 17.7100	36.93	1.57	1.06	8	9.84	0.39	20.08
6245DAY-SB	25.00	19.0918 19.0880	36.26	1.57	1.30	8	9.84	0.39	22.05
6245DBY-SB	25.00	19.0918 19.0880	38.39	1.57	1.30	8	9.84	0.39	22.05
6255DAY-SB	26.97	21.0600 21.0557	42.56	1.77	1.30	8	11.61	0.39	24.02
6255DBY-SB	26.97	21.0600 21.0557	44.61	1.77	1.30	8	11.61	0.39	24.02
6265DAY-SB	29.53	22.4380 22.4336	48.94	1.97	1.54	8	14.17	0.39	25.98

Model CVV	Low Speed Shaft				Key	High Speed Shaft		
	U*	V	S	L1		XU*	XV	Key
6225DAY-SB	4.625	6.50	3/4-10UNC	1.34	1-1/4 X 7/8 X 6.5	0.875	1.57	3/16 X 3/16 X 1.38
6225DBY-SB	4.625	6.50	3/4-10UNC	1.34	1-1/4 X 7/8 X 6.5	1.375	2.17	5/16 X 5/16 X 2.17
6235DAY-SB	5.000	7.87	1-8UNC	1.61	1-1/4 X 7/8 X 7.87	1.125	1.77	1/4 X 1/4 X 1.77
6235DBY-SB	5.000	7.87	1-8UNC	1.61	1-1/4 X 7/8 X 7.87	1.500	2.56	3/8 X 3/8 X 2.56
6245DAY-SB	5.500	7.87	1-8UNC	1.61	1-1/4 X 7/8 X 7.87	1.125	1.77	1/4 X 1/4 X 1.77
6245DBY-SB	5.500	7.87	1-8UNC	1.61	1-1/4 X 7/8 X 7.87	1.500	2.56	3/8 X 3/8 X 2.56
6255DAY-SB	6.250	9.45	1-1/4-7UNC	1.93	1-1/2 X 1 X 9.45	1.375	2.17	5/16 X 5/16 X 2.17
6255DBY-SB	6.250	9.45	1-1/4-7UNC	1.93	1-1/2 X 1 X 9.45	1.750	2.76	3/8 X 3/8 X 2.76
6265DAY-SB	6.625	11.81	1-1/4-7UNC	1.93	1-3/4 X 1-1/4 X 11.8	1.750	2.76	3/8 X 3/8 X 2.76



Dimensions Vertical V-Flange Mount, Shovel Base

Double Reduction CVV-6225DAY ▶ 6265DAY-SB (cont.)

All dimensions are in inches

Model	Dimensions	143T	145T	182T	184T	213T	215T	254T	256T	284T	286T	324T	326T	364T	365T
6225DAY-SB	C2		48.62	48.62		48.62		52.64							
	GAP		0.52	0.71		0.88		1.00							
	WT W/O MOTOR		976	951		948		959							
6225DBY-SB	C2					52.91		58.50							
	GAP					0.88		1.00							
	WT W/O MOTOR					1054		1118							
6235DAY-SB	C2			51.18		56.18		56.18							
	GAP			0.71		0.88		1.00							
	WT W/O MOTOR			1168		1190		1185							
6235DBY-SB	C2					56.22		62.20		62.20					
	GAP					0.88		1.00		1.00					
	WT W/O MOTOR					1271		1324		1316					
6245DAY-SB	C2			52.68		57.68		57.68							
	GAP			0.71		0.88		1.00							
	WT W/O MOTOR			1375		1397		1392							
6245DBY-SB	C2					57.68		63.66		63.66					
	GAP					0.88		1.00		1.00					
	WT W/O MOTOR					1467		1520		1512					
6255DAY-SB	C2			58.19		61.61		67.20		67.20					
	GAP			0.71		0.88		1.00		1.00					
	WT W/O MOTOR			2082		2090		2154		2146					
6255DBY-SB	C2							67.20		72.28		72.26			
	GAP							1.00		1.00		1.50			
	WT W/O MOTOR							2290		2349		2339			
6265DAY-SB	C2					71.54		71.54		76.61		76.61			
	GAP					1.00		1.00		1.00		1.50			
	WT W/O MOTOR					2895		2890		2949		2939			

Speed Reducers
Dimensions

This page intentionally left blank.

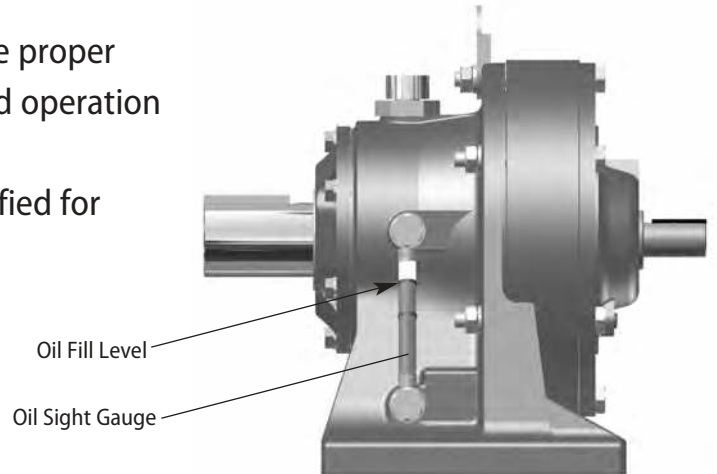
5

Technical Information

Lubrication

Cyclo® Reducers are either Grease lubricated or Oil lubricated. Refer to pages 5.3 and 5.4 to determine the unit lubrication type.

- **Grease lubricated** reducers are filled with grease prior to shipment and are ready for installation and operation
- **Oil lubricated** reducers must be filled with the proper amount of approved oil before installation and operation
- **Lubrication methods** (grease or oil) are specified for Cyclo® driven at standard input speed.



Approved Greases

Grease lubricated reducers are filled with grease prior to shipment and are ready for installation and operation. This information is provided for maintenance purposes.

Ambient Temperature		Cyclo	Planetary
°F	°C	ExxonMobil	Shell Oil
14 to 122	-10 to 50	Exxon Unirex N2 Grease (NLGI Grade #2)	Shell Gadus S2 V220 (0 Grease)

When the Cyclo® reducer will be used under widely fluctuating temperatures or ambient temperatures (other than those listed here) or any other special conditions, consult the factory.

Speed Reducers

Lubrication

Approved Oils

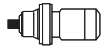
Oil lubricated reducers must be filled with oil prior to operation. Fill the reducer to the correct level with the recommended oil.

ExxonMobil	Spartan EP	Idemitsu	Daphne Super Gear Oil	BP	Energol GR-XP
Mobil	Mobilgear 600XP	Kluber	Kluberoil GEM1	Castrol	Alpha SP
Shell	Omala S2 G	Caltex	Meropa	Gulf	EP Lubricant HD

For use in winter or relatively low ambient temperatures, use the lower viscosity oil specified for each ambient temperature range.

For consistent use in ambient temperatures outside of the range 32°F to 104°F (0°C to 40°C), consult factory.

Ambient Temperature							
°F	14	32	50	68	86	104	122
°C	-10	0	10	20	30	40	50
ISO VG	68		100 / 150			220 / 320 / 460	



HORIZONTAL Mounted Reducer • SINGLE Reduction • Frame Sizes 6060 to 6275

Frame Size	Reduction Ratio																	
	3	5	6	8	11	13	15	17	21	25	29	35	43	51	59	71	87	119
6060, 6065 6070, 6075 6080, 6085 6090, 6095 6100, 6105, 610H 6110, 6115 6120, 6125, 612H	Grease		Maintenance Free Grease															
6130, 6135 6140, 6145, 614H 6160, 6165, 616H 6170, 6175 6180, 6185 6190, 6195 6205 6215 6225 6235 6245 6255 6265 6275	Oil																	

HORIZONTAL Mounted Reducer • DOUBLE Reduction • Frame Sizes 6060DA to 6275DA



Frame Size	Reduction Ratio																									
	104	121	143	165	195	231	273	319	377	473	559	649	731	841	1003	1015	1247	1479	1849	2065	2537	3045	3481	4437	5133	6177
6060DA, 6065DA 6070DA, 6075DA 6090DA, 6095DA 6100DA, 6105DA 6120DA, 6125DA 6120DB, 6125DB	Maintenance Free Grease																									
6130DA, 6135DA 6130DB, 6135DB 6130DC, 6135DC 6140DA, 6140DB, 6140DC 6145DA, 6145DB, 6145DC 6160DA, 6165DA 6160DB, 6165DB 6170DA, 6175DA 6170DB, 6175DB 6180DA, 6185DA	Grease																									
6160DC, 6165DC 6170DC, 6175DC 6180DB, 6185DB 6190DA, 6195DA 6190DB, 6195DB 6205DA, 6205DB 6215DA, 6215DB 6225DA, 6225DB 6235DA, 6235DB 6245DA, 6245DB 6255DA, 6255DB 6265DA 6275DA	Oil																									

Speed Reducers

Lubrication

Lubrication continued



VERTICAL Mounted Reducer • SINGLE Reduction • Frame Sizes 6060 to 6275

Frame Size	Reduction Ratio																		
	3	5	6	8	11	13	15	17	21	25	29	35	43	51	59	71	87	119	
6060, 6065 6070, 6075 6080, 6085 6090, 6095 6100, 6105 6110, 6115 6120, 6125	Grease	Maintenance Free Grease																59	87
6130, 6135 6140, 6145		Oil																	
6160, 6165 6170, 6175 6180, 6185 6190, 6195 6205 6215 6225 6235 6245 6255 6265 6275	Forced Oil																		



VERTICAL Mounted Reducer • DOUBLE Reduction • Frame Sizes 6060DA to 6275DA

Frame Size	Reduction Ratio																											
	104	121	143	165	195	231	273	319	377	473	559	649	731	841	1003	1015	1247	1479	1849	2065	2537	3045	3481	4437	5133	6177	7569	
6060DA, 6065DA 6070DA, 6075DA 6090DA, 6095DA 6100DA, 6105DA 6120DA, 6125DA 6120DB, 6125DB	Maintenance Free Grease																										2537	5133
6130DA, 6135DA 6130DB, 6135DB 6130DC, 6135DC 6140DA, 6140DB, 6140DC 6145DA, 6145DB, 6145DC 6160DA, 6165DA 6160DB, 6165DB 6170DA, 6175DA 6170DB, 6175DB 6180DA, 6185DA	Grease																											
6160DC, 6165DC 6170DC, 6175DC 6180DB, 6185DB 6190DA, 6195DA 6190DB, 6195DB 6205DA, 6205DB 6215DA, 6215DB 6225DA, 6225DB 6235DA, 6235DB 6245DA, 6245DB 6255DA, 6255DB 6265DA 6275DA	121	Forced Oil																			1849	2065	2537	377				

Speed Reducers
Lubrication

Oil Fill Quantities

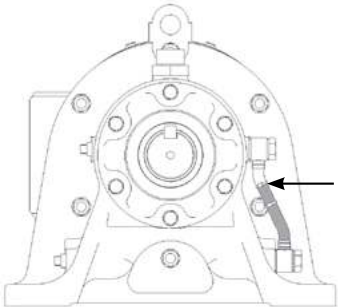
Cyclo Horizontal Foot Mounted (CHH...) / Cyclo Horizontal V-Flange Mounted (CHV...)														
Size	613X	614X	616X	617X	618X	619X	6205	6215	6225	6235	6245	6255	6265	6275
US gal	0.18	0.18	0.37	0.50	0.66	1.1	1.5	2.2	2.6	4.0	4.2	5.5	7.7	14.8
liter	0.7	0.7	1.4	1.9	2.5	4	5.5	8.5	10	15	16	21	29	56
Size	616XDC	617XDC	618XDB	619XDA	619XDB	6205DA	6205DB	6215DA	6215DB	6225DA	6225DB	6235DA	6235DB	6245DA
US gal	0.40	0.63	0.92	1.5	1.6	1.6	1.6	2.6	2.6	2.9	2.9	4.5	4.5	4.8
liter	1.5	2.4	3.5	5.8	6	6	6	10	10	11	11	17	17	18
Size	6245DB	6255DA	6255DB	6265DA	6275DA									
US gal	4.8	6.1	6.1	8.5	15.9									
liter	18	23	23	32	60									

Cyclo Vertical V-Flange Mounted (CVV...)														
Size	613X	614X	616X	617X	618X	619X	6205	6215	6225	6235	6245	6255	6265	6275
US gal	0.29	0.29	0.26	0.50	0.53	0.71	1.5	2.0	2.6	3.2	4.0	11.1	13.5	(15.9)
liter	1.1	1.1	1	1.9	2	2.7	5.7	7.5	10	12	15	42	51	(60)
Size	616XDC	617XDC	618XDB	619XDA	619XDB	6205DA	6205DB	6215DA	6215DB	6225DA	6225DB	6235DA	6235DB	6245DA
US gal	0.26	0.50	0.53	0.71	0.71	2.9	2.9	3.7	3.7	4.8	4.8	6.1	6.1	7.7
liter	1	1.9	2	2.7	2.7	11	11	14	14	18	18	23	23	29
Size	6245DB	6255DA	6255DB	6265DA	6275DA									
US gal	7.7	11.1	11.1	13.5	(15.85)									
liter	29	42	42	51	(60.00)									

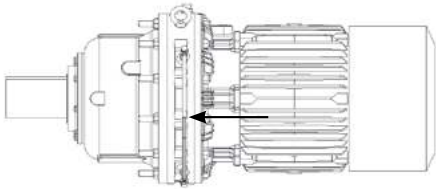
Cyclo Horizontal Flange Mounted (CHF...)														
Size	613X	614X	616X	617X	618X	619X	6205	6215	6225	6235	6245	6255	6265	6275
US gal	0.07	0.07	0.24	0.40	0.34	0.53	0.79	1.1	1.3	2.0	2.1	2.9	3.7	7.9
liter	0.25	0.25	0.9	1.5	1.3	2	3	4	5	7.5	8	11	14	30
Size	616XDC	617XDC	618XDB	619XDA	619XDB	6205DA	6205DB	6215DA	6215DB	6225DA	6225DB	6235DA	6235DB	6245DA
US gal	0.26	0.53	0.61	1.0	1.1	1.1	1.1	1.5	1.5	1.6	1.6	2.5	2.5	2.6
liter	1	2	2.3	3.8	4	4	4	5.5	5.5	6	6	9.5	9.5	10
Size	6245DB	6255DA	6255DB	6265DA										
US gal	2.6	3.4	3.4	4.5										
liter	10	13	13	17										

X = 0 or 5
 () = With Trochoid Pump

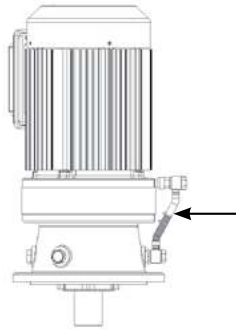
Oil Fill Level



Horizontal

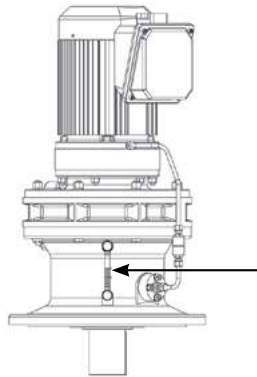


Horizontal Flange Mount



Vertical

Sizes 6130/5 and 6140/5 only



Vertical

Grease Fill Quantities for Maintenance Free Speed Reducers

oz. (g)

Size	606X	607X	608X	609X	610X	611X	612X	606XDA	607XDA	609XDA	610XDA	612XDA	612XDB
Speed Reduction Mechanism (1st stage)	0.9 (25)	0.9 (25)	2.3 (65)	3.2 (90)	4.9 (140)	7.1 (200)	11.6 (330)	0.9 (25)	0.9 (25)	0.9 (25)	0.9 (25)	0.9 (25)	3.2 (90)
Speed Reduction Mechanism (2nd stage)								0.9 (25)	0.9 (25)	3.2 (90)	4.9 (140)	11.6 (330)	11.6 (330)
Slow Speed Shaft Bearing	1.2 (35)	1.2 (35)	2.5 (70)	3.5 (100)	3.5 (100)	3.2 (90)	4.2 (120)	1.2 (35)	1.2 (35)	3.5 (100)	3.5 (100)	4.2 (120)	4.2 (120)

X = 0 or 5

Grease Fill Quantities for Non-Maintenance Free Speed Reducers

oz. (g)

Size	613XDA	613XDB	613XDC	614XDA	614XDB	614XDC	616XDA	616XDB	616XDC	617XDA	617XDB	617XDC
Speed Reduction Mechanism (1st stage)	0.9 (25)	2.1 (60)	4.2 (120)	0.9 (25)	2.1 (60)	4.2 (120)	2.1 (60)	4.2 (120)	8.8 (250)	2.1 (60)	4.2 (120)	8.8 (250)
Speed Reduction Mechanism (2nd stage)	15.9 (450)	15.9 (450)	15.9 (450)	15.9 (450)	15.9 (450)	15.9 (450)	26.5 (750)	26.5 (750)	26.5 (750)	35.3 (1000)	35.3 (1000)	35.3 (1000)
Slow Speed Shaft Bearing	10.6 (300)	10.6 (300)	10.6 (300)	10.6 (300)	10.6 (300)	10.6 (300)	10.6 (300)	10.6 (300)	10.6 (300)	17.6 (500)	17.6 (500)	17.6 (500)
Size	618XDA	618XDB	619XDA	619XDB	6205DA	6205DB	6215DA	6215DB	6225DA	6225DB	6235DA	6235DB
Speed Reduction Mechanism (1st stage)	4.2 (120)	15.9 (450)	11.6 (330)	15.9 (450)	11.6 (330)	15.9 (450)	15.9 (450)	26.5 (750)	15.9 (450)	35.3 (1000)	26.5 (750)	38.8 (1100)
Speed Reduction Mechanism (2nd stage)	38.8 (1100)	38.8 (1100)	52.9 (1500)	52.9 (1500)	52.9 (1500)	52.9 (1500)	70.5 (2000)	70.5 (2000)	88.2 (2500)	88.2 (2500)	141.1 (4000)	141.1 (4000)
Slow Speed Shaft Bearing	21.2 (600)	21.2 (600)	24.7 (700)	24.7 (700)	24.7 (700)	24.7 (700)	28.2 (800)	28.2 (800)	31.7 (900)	31.7 (900)	35.3 (1000)	35.3 (1000)
Size	6245DA	6245DB	6255DA	6255DB	6265DA							
Speed Reduction Mechanism (1st stage)	26.5 (750)	38.8 (1100)	35.3 (1000)	52.9 (1500)	52.9 (1500)							
Speed Reduction Mechanism (2nd stage)	158.7 (4500)	158.7 (4500)	211.6 (6000)	211.6 (6000)	282.2 (8000)							
Slow Speed Shaft Bearing	38.8 (1100)	38.8 (1100)	42.3 (1200)	42.3 (1200)	45.9 (1300)							

X = 0 or 5

Grease Quantities for Units Normally Oil Lubricated

In the case where a unit that is normally oil-lubricated is supplied with grease lubrication, use the values in the following tables to replenish the grease in the selected unit.

Standard Grease for Normally Oil Lubricated Units

Frame Size	Ambient Temperature		Planetary	Cycloid Discs
	°F	°C		
613 to 616	14 to 122	-10 to 50	Shell Gadus S2 V220 0 (613X to 617X)	Exxon Unirex N2
617 to 626				Shell Gadus S2 V220 2

Note: For double and triple reduction units, standard grease is Exxon Unirex N2

Grease Quantities for Normally Oil Lubricated Units

Frame Size	6130	6160	6170	6180	6190	6215	6225	6235	6245	6255	6265
	6135	6165	6175	6185	6195						
	6140										
	6145										
Speed Reduction Mechanism	15.9 (450)	26.5 (750)	35.3 (1000)	36.8 (1100)	52.9 (1500)	70.5 (2000)	88.2 (2500)	141.1 (4000)	158.7 (4500)	211.6 (6000)	282.2 (8000)
Slow Speed Shaft Bearing	10.6 (300)	10.6 (300)	17.6 (500)	21.2 (600)	24.7 (700)	28.2 (800)	31.7 (900)	35.3 (1000)	36.8 (1100)	42.3 (1200)	45.9 (1300)

Optional Greases

Application	Temperature Range		Grease Manufacturer	Brand	NGLI Grade	Cyclo Frame Size
	°F	°C				
Food Grade	14 to 104	-10 to 40	Ultrachem	Omnilube FGM	2	606X to 612X
Low Temperature	-40 to 30 <small>Note 1</small>	-40 to -1 <small>Note 1</small>	ExxonMobil	Beacon 325	2	All
			Anderol	Royco 22 CF	2	All
High Temperature	105 to 180	40 to 80	ExxonMobil	Unirex N	2	All

NOTE: All units filled with grease other than Standard won't be considered Maintenance Free.

Note 1: Consult factory for temperatures outside the established range.

Optional Oils

Application	Temperature Range		Oil Manufacturer	Brand	ISO VG	Cyclo Frame Size
	°F	°C				
Food Grade	32 to 95	0 to 35	Kluber	Klubersynth UH1 6	460	613X to 616X
Low Temp	-40 to -22	-40 to -30	Shell	Tellus S2 V	15	All

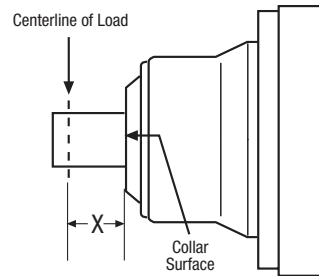
NOTE 1: Consult factory for Cyclo sizes not listed in the table

Overhung Loads • Slow Speed Shaft

Overhung Loads are loads that act perpendicular to the reducer shaft. Each reducer has a maximum allowable overhung load (OHL) capacity, which is shown in the Frame Size Selection Tables for each reducer. In applications with an OHL, it is critical that the OHL is calculated and that the chosen reducer is adequately sized for the maximum OHL.

How to Calculate Overhung Load (OHL)

Step 1. **Measure distance X** from reducer collar surface to the centerline of the OHL.



Step 2. **Determine Lf (Load Location Factor)** for your chosen Frame Size, using **Load Location Factor Table** on the next page.

Step 3. **Determine Cf (Connection Factor) and Fs (Shock Factor)** from the tables below:

Load Connection Factor (Cf)			Shock Factor (Fs)	
CONNECTION TYPE		Cf	SHOCK FACTORr	Fs
General Purpose Chain	Single Row	1.0	No Shock	1.0
	Double Row	1.25	Moderate Shock	1.3
Machined Gear or Pinion		1.25	Heavy Shock	1.6
Synchronous Belt		1.50		
V-Belt		1.50		
Flat Belt		2.50		

Step 4. **Apply Lf, Cf and Sf to the formula** to calculate the OHL.

$$Pr = \frac{TI}{R} \leq \frac{Pro}{Lf \cdot Cf \cdot Fs} \quad (\text{lbs, } N)$$

Pr =	Actual radial load
TI =	Actual transmitted torque on slow speed shaft of reducer (lb • in, N • m)
R =	Pitch circle radius of sprocket, gear, pulley, ect. (inch, meter)
Pro =	Allowable radial load (lbs, N)
Cf =	Coupling factor
Fs =	Shock factor
Lf =	Load location factor

Note: When the Slow Speed Shaft is under both Radial and Axial Load, calculate Overhung Load first and proceed with calculations on Axial Loads page 5.10

Step 5. **Refer back to the Frame Size Selection Tables** (pp. 3.1–3.32) to determine maximum allowable OHL capacity for the selected Frame Size.

If the calculated OHL **does not** exceed the OHL capacity (from Selection Table), the selected Frame Size is acceptable.



If the calculated OHL exceeds the OHL capacity, there are two standard options that can increase the OHL capacity of a reducer:

- High Capacity Bearings Option–R1
- Ductile Iron Housing & High Capacity Bearings Option–R2

If neither of these options adequately increase the OHL capacity:

1. Choose the next larger Frame Size, or
2. Move the OHL closer to the collar surface, or
3. Decrease the OHL by increasing the pitch diameter of the connecting drive.

Be sure to recalculate and verify the OHL capacity for the new frame size.

Overhung Loads, Slow Speed Shaft continued

Load Location Factors (Lf), Slow Speed Shaft

Frame Size		X (inches)																			
Single Reduction	Double Reduction	1/4	1/2	3/4	1	1 1/4	1 1/2	1 3/4	2	2 1/2	3	3 1/2	4	4 1/2	5	6	7	8	9	10	11
6060, 6065	6060DA, 6065DA	0.86	1.08	1.49	—	—	—	—	—	—	—	—	—	—	—	—	—	—	—	—	—
6070, 6075	6070DA, 6075DA	0.85	0.96	1.23	1.61	—	—	—	—	—	—	—	—	—	—	—	—	—	—	—	—
6080, 6085	—	0.83	0.91	1.01	1.30	1.63	—	—	—	—	—	—	—	—	—	—	—	—	—	—	—
6090, 6095	6090DA, 6095DA	0.88	0.95	1.10	1.40	1.73	—	—	—	—	—	—	—	—	—	—	—	—	—	—	—
6100 6105 610H	6100DA, 6105DA	0.88	0.95	1.10	1.40	1.73	—	—	—	—	—	—	—	—	—	—	—	—	—	—	—
6110, 6115	—	0.80	0.87	0.95	1.02	1.12	1.30	1.51	—	—	—	—	—	—	—	—	—	—	—	—	—
6120, 6125 612H	6120DA, 6120DB 6125DA, 6125DB	—	0.85	0.91	0.98	1.14	1.36	1.57	—	—	—	—	—	—	—	—	—	—	—	—	—
6130 6135	6130DA, 6130DB 6130DC, 6135DA 6135DB, 6135DC	—	—	0.86	0.92	0.97	1.08	1.24	1.40	1.72	—	—	—	—	—	—	—	—	—	—	—
6140 6145 614H	6140DA, 6140DB 6140DC, 6145DA 6145DB, 6145DC	—	—	—	0.74	0.82	0.91	0.99	1.12	1.37	1.62	1.88	—	—	—	—	—	—	—	—	—
6160 6165 616H	6160DA, 6160DB 6160DC, 6165DA 6165DB, 6165DC	—	—	—	0.87	0.91	0.95	1.00	1.13	1.39	1.67	1.94	—	—	—	—	—	—	—	—	—
6170 6175	6170DA, 6170DB 6170DC, 6175DA	—	—	—	0.89	0.93	0.96	1.00	1.13	1.39	1.67	1.94	—	—	—	—	—	—	—	—	—
6180 6185	6180DA, 6180DB 6185DA, 6185DB	—	—	—	0.85	0.88	0.92	0.95	0.99	1.15	1.37	1.58	—	—	—	—	—	—	—	—	—
6190 6195	6190DA, 6190DB 6195DA, 6195DB	—	—	—	—	0.86	0.88	0.91	0.93	0.99	1.13	1.30	1.48	1.67	—	—	—	—	—	—	—
6205	6205DA, 6205DB	—	—	—	—	—	—	0.74	0.78	0.86	0.95	1.04	1.13	1.22	1.31	1.49	—	—	—	—	—
6215	6215DA, 6215DB	—	—	—	—	—	—	0.73	0.78	0.86	0.95	1.04	1.14	1.23	1.32	1.50	—	—	—	—	—
6225	6225DA, 6225DB	—	—	—	—	—	—	0.88	0.90	0.94	0.98	1.02	1.06	1.10	1.14	1.23	—	—	—	—	—
6235	6235DA, 6235DB	—	—	—	—	—	—	0.84	0.85	0.89	0.93	0.97	1.00	1.04	1.08	1.16	1.23	—	—	—	—
6245	6245DA, 6245DB	—	—	—	—	—	—	0.84	0.86	0.90	0.93	0.97	1.00	1.04	1.08	1.15	1.22	—	—	—	—
6255	6255DA, 6255DB	—	—	—	—	—	—	0.83	0.86	0.89	0.93	0.95	0.99	1.02	1.08	1.21	1.38	1.54	—	—	—
6265	6265DA	—	—	—	—	—	—	—	—	0.84	0.88	0.90	0.93	0.95	1.02	1.16	1.31	1.47	1.64	1.80	—
6275	6275DA	—	—	—	—	—	—	—	—	—	0.71	0.76	0.80	0.85	0.95	1.08	1.23	1.37	1.52	1.67	—

Speed Reducers

Overhung Loads

Overhung Loads, Slow Speed Shaft continued

High Capacity Bearings Option

Type R1

Slow Speed Shaft Overhung Load Capacity (lbs.)

Frame Size		Output Shaft Speed (RPM)							
Single Reduction	Double Reduction	10 & Below	15	20	25	30	35	40	50
6130, 6135	6130DA, 6130DB 6130DC, 6135DA 6135DB, 6135DC	3310	3310	3310	3310	3310	3310	3310	3310
6160 6165 616H	6160DA, 6160DB 6160DC, 6165DA 6165DB, 6165DC	4960	4960	4960	4960	4960	4960	4960	4960
6170 6175	6170DA, 6170DB 6170DC, 6175DA 6175DB, 6175DC	6640	6640	6640	6640	6640	6640	6640	6640
6180 6185	6180DA, 6180DB 6185DA, 6185DB	9370	9370	9370	9370	9370	9370	9370	9370
6190 6195	6190DA, 6190DB 6195DA, 6195DB	13200	13200	13200	13200	13200	13200	13200	12400

Frame Size		Output Shaft Speed (RPM)							
Single Reduction	Double Reduction	60	80	100	125	150	200	250	300
6130, 6135	6130DA, 6130DB 6130DC, 6135DA 6135DB, 6135DC	3310	3170	3040	2820	2670	2450	2290	2170
6160 6165 616H	6160DA, 6160DB 6160DC, 6165DA 6165DB, 6165DC	4960	4960	4850	4520	4280	3920	3660	3460
6170 6175	6170DA, 6170DB 6170DC, 6175DA 6175DB, 6175DC	6640	6640	6590	6150	5820	5360	4980	4740
6180 6185	6180DA, 6180DB 6185DA, 6185DB	9370	9280	8660	8140	7690	7050	—	—
6190 6195	6190DA, 6190DB 6195DA, 6195DB	11900	10600	9900	9220	8600	7800	—	—

Speed Reducers

Overhung Loads

Overhung Loads, Slow Speed Shaft continued

Ductile Iron Housing and High Capacity Bearings Option

Type R2

Slow Speed Shaft Overhung Load Capacity (lbs.)

Frame Size		Output Shaft Speed (RPM)									
Single Reduction	Double Reduction	4 & Below	5	6	8	10	15	20	25	30	35
6130, 6135	6130DA, 6130DB 6130DC, 6135DA 6135DB, 6135DC	5400	5400	5400	5400	5400	5360	4890	4590	4340	4140
6160 6165 616H	6160DA, 6160DB 6160DC, 6165DA 6165DB, 6165DC	7560	7560	7560	7560	7560	7560	7560	7470	7080	6770
6170 6175	6170DA, 6170DB 6170DC, 6175DA 6175DB, 6175DC	10300	10300	10300	10300	10300	10300	10300	10200	9630	9190
6180 6185	6180DA, 6180DB 6185DA, 6185DB	12500	12500	12500	12500	12500	12500	12500	12500	12500	12100
6190 6195	6190DA, 6190DB 6195DA, 6195DB	16100	16100	16100	16100	16100	16100	16100	16100	15600	14900
6205	6205DA, 6205DB	22000	22000	22000	22000	22000	20000	—	—	—	—
6215	6215DA, 6215DB	29800	28200	26700	24500	—	—	—	—	—	—
6225	6225DA, 6225DB	36200	35100	33300	30400	28200	25100	23100	21600	20500	19600
6235	6235DA, 6235DB	41200	41200	41200	38100	35700	31700	28900	27100	25600	24500
6245	6245DA, 6245DB	50000	47000	44500	40800	37900	33700	31100	28900	27300	26000
6255	6255DA, 6255DB	61500	58000	54900	50300	47200	41700	38100	35700	34000	32400
6265	6265DA	63500	63500	63500	60600	56900	50300	46100	43000	40800	39000
6275	6275DA	61100	61100	61100	61100	61100	61100	61100	61100	61100	—

Frame Size		Output Shaft Speed (RPM)									
Single Reduction	Double Reduction	40	50	60	80	100	125	150	200	250	300
6130, 6135	6130DA, 6130DB 6130DC, 6135DA 6135DB, 6135DC	3990	3700	3510	3240	3040	2820	2670	2450	2290	2170
6160 6165 616H	6160DA, 6160DB 6160DC, 6165DA 6165DB, 6165DC	6500	6060	5750	5290	4940	4610	4370	4010	3730	3460
6170 6175	6170DA, 6170DB 6170DC, 6175DA 6175DB, 6175DC	8840	8270	7830	7170	6720	6260	5930	5470	4980	4740
6180 6185	6180DA, 6180DB 6185DA, 6185DB	11700	10900	10300	9460	8860	8290	7850	7190	—	—
6190 6195	6190DA, 6190DB 6195DA, 6195DB	14300	13400	12700	11600	10800	10100	9610	8840	—	—
6205	6205DA, 6205DB	—	—	—	—	—	—	—	—	—	—
6215	6215DA, 6215DB	—	—	—	—	—	—	—	—	—	—
6225	6225DA, 6225DB	18800	17500	16600	15300	14300	13400	12700	11600	—	—
6235	6235DA, 6235DB	23600	22000	20900	19200	17900	16700	—	—	—	—
6245	6245DA, 6245DB	25100	23600	22300	20400	19100	17800	—	—	—	—
6255	6255DA, 6255DB	31300	28900	27600	25100	23600	22000	—	—	—	—
6265	6265DA	37300	35100	33300	30400	28200	26500	—	—	—	—
6275	6275DA	—	—	—	—	—	—	—	—	—	—

Speed Reducers

Overhung Loads

How to Calculate Axial Loads

When axial and overhung loads are combined to act on the Slow Speed Shaft, this formula is used to determine if the combined loading is acceptable for the selected Cyclo® reducer.

Axial Loads are loads that act parallel to the reducer shaft. Each reducer has a maximum allowable axial load capacity, which is shown in table below. When the maximum allowable axial load exceeds the capacity shown in the table, the next larger frame size should be chosen.

Axial Load, PA

$$P_a \leq \frac{P_{ao}}{C_f \cdot F_s} \quad (\text{lbs, N})$$

Formula for Combined Radial and Axial Load on Slow Speed Shaft

$$\left(\frac{P_r \cdot L_f}{P_{ro}} + \frac{P_a}{P_{ao}} \right) \cdot C_f \cdot F_s \leq 1$$

- Pr = Actual Overhung Load
- Lf = Load Location Factor
- Pro = Allowable Overhung Load
- Pa = Actual Axial Load (lbs, N)
- Pao = Allowable Axial Load (lbs,N)
- Cf = Coupling Factor
- Fs = Shock Factor



If the calculated loads exceed the limits shown below in Axial Load Capacity Table:

1. Decrease the OHL by moving the load closer to the shaft collar or by increasing the pitch diameter of the connecting device,
- or
2. Select the next larger frame size. Repeat the Axial Load calculation to verify the selection.

Axial Load Capacity, Slow Speed Shaft (lbs.)

Frame Size		Output Shaft Speed (RPM)																
Single Reduction	Double Reduction	-10	15	20	25	30	35	40	50	60	80	100	125	150	200	250	300	
6060 6065	6060DA 6065DA	66	66	66	66	66	66	66	66	66	66	66	66	66	66	—	—	
6070 6075	6070DA 6075DA	176	176	176	176	176	176	176	176	176	176	176	176	176	176	176	176	
6080 6085	—	221	221	221	221	221	221	221	221	221	221	221	221	221	221	221	221	
6090 6095	6090DA 6095DA	221	221	221	221	221	221	221	221	221	221	221	221	221	221	221	221	
6100 6105 610H	6100DA 6105DA	330	330	330	330	330	330	330	330	330	330	330	330	330	330	330	330	
6110 6115	—	330	330	330	330	330	330	330	330	330	330	330	330	330	330	330	330	
6120 6125 612H	6120DA 6120DB 6125DA 6125DB	661	661	661	661	661	661	661	661	661	661	661	661	661	661	623	562	537
6130 6135	6130DA 6130DB 6130DC 6135DA 6135DB 6135DC	881	881	881	881	881	881	881	881	881	881	881	881	881	881	881	881	
6140 6145 614H	6140DA 6140DB 6140DC 6145DA 6145DB 6145DC	1214	1214	1214	1214	1214	1214	1214	1214	1214	1176	1093	1025	982	866	825	776	
6160 6165 616H	6160DA 6160DB 6160DC 6165DA 6165DB 6165DC	1545	1545	1545	1545	1545	1545	1545	1545	1545	1545	1545	1545	1545	1545	1416	1281	—
6170 6175	6170DA 6170DB 6170DC 6175DA 6175DB 6175DC	2205	2205	2205	2205	2205	2205	2205	2205	2205	2205	2205	2205	2176	2028	1819	1648	1547
6180 6185	6180DA 6180DB 6185DA 6185DB	3080	3080	3080	3080	3080	3080	3080	3080	3080	3080	3080	2945	2810	2473	—	—	
6190 6195	6190DA 6190DB 6195DA 6195DB	4406	4406	4406	4406	4406	4406	4406	4406	4406	4406	4406	4159	3934	3462	—	—	
6205	6205DA 6205DB	5958	5283	4744	4406	4182	4069	3979	3754	3530	3192	2968	2878	2765	2540	—	—	
6215	6215DA 6215DB	6183	5508	4969	4631	4406	4182	4069	3867	3642	3305	3080	2968	2878	2653	—	—	
6225	6225DA 6225DB	6610	5755	5216	4879	4631	4406	4204	3957	3754	3440	3237	3058	2945	2720	—	—	
6235	6235DA 6235DB	7936	7059	6385	5958	5621	5283	5081	4744	4519	4182	3979	3754	—	—	—	—	
6245	6245DA 6245DB	8386	7599	6947	6475	6138	5868	5643	5283	5013	4721	4474	4294	—	—	—	—	
6255	6255DA 6255DB	10814	9690	8858	8296	7891	7554	7262	6835	6407	6025	5733	5441	—	—	—	—	
6265	6265DA	11691	11691	11466	10679	10072	9622	9353	8746	8386	7824	7419	6992	—	—	—	—	
6275	6275DA	13242	13242	13242	13242	13242	13242	13242	13242	—	—	—	—	—	—	—	—	

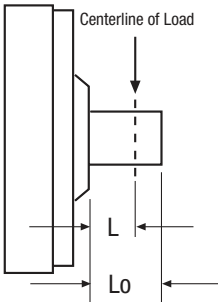
Speed Reducers
Axial Loads

Overhung Loads • High Speed Shaft

Overhung Loads are loads that act perpendicular to the reducer shaft. Each reducer has a maximum allowable overhung load (OHL) capacity, which is shown in the Frame Size Selection Tables for each reducer. In applications with an OHL, it is critical that the OHL is calculated and that the chosen reducer is adequately sized for the maximum OHL.

How to Calculate Overhung Load (OHL)

Step 1. **Measure distance X** from reducer collar surface to the centerline of the OHL.



Step 2. **Determine Lf (Load Location Factor)** for your chosen Frame Size, using **Load Location Factor Table** on the next page.

Step 3. **Determine Cf (Connection Factor) and Fs (Shock Factor)** from the tables below:

Load Connection Factor (Cf)			Shock Factor (Fs)	
CONNECTION TYPE		Cf	SHOCK FACTOR	Fs
General Purpose Chain	Single Row	1.0	No Shock	1.0
	Double Row	1.25	Moderate Shock	1.3
Machined Gear or Pinion		1.25	Heavy Shock	1.6
Synchronous Belt		1.50		
V-Belt		1.50		
Flat Belt		2.50		

Step 4. **Apply Lf, Cf and Sf to the formula** to calculate the OHL.

$$Pr = \frac{TI}{R} \leq \frac{Pro}{Lf \cdot Cf \cdot Fs} \quad (\text{lbs, } N)$$

Pr = Actual radial load
 TI = Actual transmitted torque on slow speed shaft of reducer (lb • in, N • m)
 R = Pitch circle radius of sprocket, gear, pulley, ect. (inch, meter)
 Pro = Allowable radial load (lbs, N)
 Cf = Coupling factor
 Fs = Shock factor
 Lf = Load location factor

Step 5. **Refer back to the OHL Capacity Table** to determine maximum allowable OHL capacity for the selected Frame Size.

If the calculated OHL **does not** exceed the OHL capacity (from Selection Table), the selected Frame Size is acceptable.



If the calculated OHL exceeds the OHL capacity, you must choose the next larger Frame Size. Be sure to recalculate and verify the OHL capacity for the new frame size.

Speed Reducers

Overhung Loads

Load Location Factors (Lf), High Speed Shaft

Frame Size		L (inch)																		
Single Reduction	Double Reduction	1/4	1/2	3/4	1	1 1/4	1 1/2	1 3/4	2	2 1/2	3	3 1/2	4	4 1/2	5	5 1/2	6	6 1/2	7	7 1/2
6060 6065	6060DA 6065DA 6070DA 6075DA	0.78	1.07	1.52	—	—	—	—	—	—	—	—	—	—	—	—	—	—	—	—
6070 6075	6090DA 6095DA 6100DA 6105DA 6120DA 6125DA 6130DA 6135DA 6140DA 6145DA	0.78	1.07	1.52	—	—	—	—	—	—	—	—	—	—	—	—	—	—	—	—
6080 6085	—	0.78	1.07	1.52	—	—	—	—	—	—	—	—	—	—	—	—	—	—	—	—
6090 6095	6120DB 6125DB 6130DB 6135DB 6140DB 6145DB 6160DA 6165DA 6170DA 6175DA	0.90	1.09	1.52	2.03	—	—	—	—	—	—	—	—	—	—	—	—	—	—	—
6100 6105 610H	6130DC 6135DC 6140DC 6145DC 6160DB 6165DB 6170DB 6175DB 6180DA 6185DA	0.93	1.09	1.52	2.03	—	—	—	—	—	—	—	—	—	—	—	—	—	—	—
6110 6115	—	0.93	1.09	1.52	2.03	—	—	—	—	—	—	—	—	—	—	—	—	—	—	—
6120 6125 612H	6160DC 6165DC 6170DC 6175DC 6190DA 6195DA 6205DA	—	0.87	1.10	1.43	1.77	2.12	—	—	—	—	—	—	—	—	—	—	—	—	—
6130 6135	6180DB 6185DB 6190DB 6195DB 6205DB 6215DA 6225DA	—	0.84	0.98	1.25	1.53	1.83	2.11	—	—	—	—	—	—	—	—	—	—	—	—
6140 6145 614H	—	—	0.84	0.98	1.25	1.53	1.83	2.11	—	—	—	—	—	—	—	—	—	—	—	—
6160 6165 616H	6125DB 6235DA 6245DA	—	0.94	0.97	1.06	1.22	1.36	1.51	1.66	—	—	—	—	—	—	—	—	—	—	—
6170 6175	6255DA 6255DB	—	—	0.95	0.99	1.09	1.23	1.38	1.51	1.79	2.08	—	—	—	—	—	—	—	—	—
6180 6185	6235DB 6245DB	—	—	—	0.96	1.01	1.11	1.24	1.37	1.63	1.88	2.15	—	—	—	—	—	—	—	—
6190 6195	6255DB 6265DA 6275DA	—	—	—	0.95	0.99	1.06	1.15	1.26	1.47	1.69	1.90	—	—	—	—	—	—	—	—
6205	—	—	—	—	0.93	0.96	0.99	1.04	1.11	1.26	1.40	1.55	1.70	1.84	—	—	—	—	—	—
6215	—	—	—	—	0.93	0.96	0.99	1.03	1.09	1.23	1.36	1.50	1.63	1.76	—	—	—	—	—	—
6225	—	—	—	—	0.94	0.97	0.99	1.02	1.04	1.10	1.20	1.32	1.43	1.55	—	—	—	—	—	—
6235	—	—	—	—	0.84	0.86	0.88	0.93	0.99	1.10	1.22	1.33	1.45	1.57	—	—	—	—	—	—
6245	—	—	—	—	0.91	0.93	0.95	0.98	1.00	1.10	1.21	1.32	1.43	1.54	—	—	—	—	—	—
6255	—	—	—	—	—	—	0.93	0.94	0.96	1.00	1.07	1.15	1.23	1.31	1.39	1.47	1.55	1.63	1.71	—
6265	—	—	—	—	—	—	0.93	0.94	0.96	1.00	1.07	1.15	1.23	1.31	1.39	1.47	1.55	1.63	1.71	—
6275	—	—	—	—	—	—	—	—	0.94	0.98	1.02	1.13	1.23	1.34	1.45	1.56	1.66	1.77	1.90	2.00

Overhung Loads, High Speed Shaft continued

Overhung Load Capacity, High Speed Shaft (lbs.)

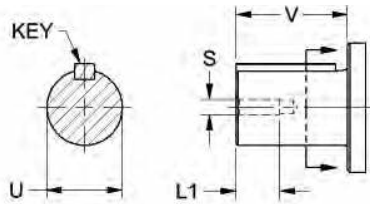
Frame Size		Input Speed (RPM)							
Single Reduction	Double Reduction	Ratio	1750	1450	1165	980	870	720	580
6060 6065	6060DA 6065DA 6070DA 6075DA	6~17, 25~35 21, 43	44 17.6	33 6.6	33 11	44 11	44 11	44 11	44 11
6070 6075	6090DA 6095DA 6100DA 6105DA 6120DA 6125DA 6130DA 6135DA 6140DA 6145DA	6~17, 25~35, 51, 59 21, 43	44 11	33 11	33 11	44 11	44 11	44 33	44 44
6080 6085	—	6~15, 21, 29, 43~59, 87 17, 35, 71	44 11	33 11	33 11	44 11	44 11	44 33	44 44
6090 6095	6120DB 6125DB 6130DB 6135DB 6140DB 6145D 6160DA 6165DA 6170DA 6175DA	6~17, 25~71, 119 21, 87	66 44	66 44	66 44	66 44	66 55	66 55	66 66
6100 6105 610H	6130DC 6135DC 6140DC 6145DC 6160DB 6165DB 6170DB 6175DB 6180DA 6185DA	6~11, 17~119 13, 15	99 99	99 77	110 99	121 110	132 110	132 121	132 132
6110 6115	—	6, 8, 21~87 11~17	99 44	77 44	99 44	110 44	110 55	121 55	132 66
6120 6125 612H	6160DC 6165DC 6170DC 6175DC 6190DA 6195DA 6205DA	6~17 21~87	133 121	155 99	166 110	175 121	198 133	198 198	198 198
6130 6135	6180DB 6185DB 6190DB 6195DB 6205DB 6215DA 6225DA	6~17, 21 25~87	308 288	308 288	308 288	342 308	364 330	387 353	418 398
6140 6145 614H	—	6, 8 11~21 25 29~87	308 277 243 121	308 220 254 133	308 243 265 133	342 265 288 155	364 277 297 155	387 297 308 155	418 330 330 243
6160 6165 616H	6125DB 6235DA 6245DA	6~25, 51, 59 29~43, 71, 87	398 243	398 265	441 288	463 308	486 308	486 353	486 398
6170 6175	6255DA 6225DB	11~87	463	463	508	508	528	551	596
6180 6185	6235DB 6245DB	11~87	618	573	618	661	683	751	771
6190 6195	6255DB 6265DA 6275DA	11~25 29~87	683 596	683 573	728 638	794 661	816 706	881 751	881 816
6205	—	11~87	1214	1104	1214	1324	1367	1401	1389
6215	—	11~87	1290	1147	1223	1378	1423	1533	1632
6225	—	11~87	1488	1302	1344	1378	1488	1567	1686
6235	—	11~87	—	—	2248	2140	2062	2019	1963
6245	—	11~87	—	—	2496	2271	2271	2383	2518
6255	—	11~87	—	—	2653	2428	2540	2765	2945
6265	—	11~87	—	—	2653	2428	2540	2765	2945
6275	—	29~87	—	—	3305	3305	3305	3305	3305

Speed Reducers

Overhung Loads

Low Speed Shaft Specifications

Metric DIN Style "G"

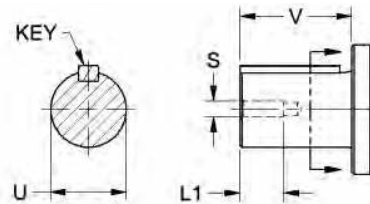


Dimensions are in mm.

Size	Type	ØU	Tolerance	V	S	L1	Key Dimensions
606 X	G	14 k6	+0.012 +0.001	25	M5	16	5 x 5 x 20
607 X	G	19 k6	+0.015 +0.002	30	M6	16	6 x 6 x 25
608 X	G	22 k6	+0.015 +0.002	35	M6	16	6 x 6 x 30
609 X	G	28 k6	+0.015 +0.002	35	M8	20	8 x 7 x 32
610 X	G	28 k6	+0.015 +0.002	35	M8	20	8 x 7 x 32
611 X	G	32 k6	+0.018 +0.002	45	M8	20	10 x 8 x 37
612 X	G	38 k6	+0.018 +0.002	55	M8	20	10 x 8 x 50
613 X	G	50 h6	0 -0.016	70	M10	20	14 x 9 x 56
614 X	G	50 h6	0 -0.016	90	M10	20	14 x 9 x 80

X = 0 or 5; single stage and multistage

Metric JIS

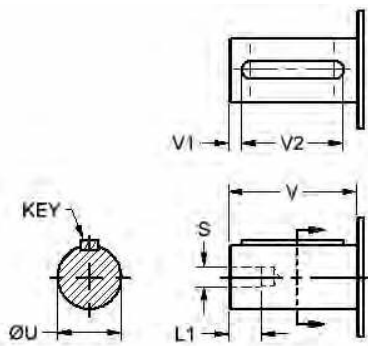


Dimensions are in mm.

Size	Type	ØU	Tolerance	V	S	L1	Key Dimensions
606 X	-	14 h6	+0/-0.011	25	M5	16	5 x 5 x 20
607 X	-	18 h6	+0/-0.011	30	M6	16	6 x 6 x 25
608 X	-	22 h6	+0/-0.013	35	M6	16	6 x 6 x 30
609 X	-	28 h6	+0/-0.013	35	M8	20	8 x 7 x 32
610 X	-	28 h6	+0/-0.013	35	M8	20	8 x 7 x 32
611 X	-	32 h6	+0/-0.016	45	M8	20	10 x 8 x 37
612 X	-	38 h6	+0/-0.016	55	M8	20	10 x 8 x 50
613 X	-	50 h6	+0/-0.016	70	M10	20	14 x 9 x 56
614 X	-	50 h6	+0/-0.016	90	M10	20	14 x 9 x 80
616 X	-	60 h6	0 -0.019	90	M10	20	18 x 11 x 80
617 X	-	70 h6	0 -0.019	90	M12	24	20 x 12 x 80
618 X	-	80 h6	0 -0.019	110	M12	24	22 x 14 x 100
619 X	-	95 h6	0 -0.022	135	M20	34	25 x 14 x 125
620 X	-	100 h6	0 -0.022	165	M20	34	28 x 16 x 165
621 X	-	110 h6	0 -0.022	165	M20	34	28 x 16 x 165
622 X	-	120 h6	0 -0.022	165	M20	34	32 x 18 x 165
623 X	-	130 h6	0 -0.025	200	M24	41	32 x 18 x 200
624 X	-	140 h6	0 -0.025	200	M24	41	36 x 20 x 240
625 X	-	160 h6	0 -0.025	240	M30	52	40 x 22 x 240
626 X	-	170 h6	0 -0.025	300	M30	52	40 x 22 x 300
627 X	-	180 h6	0 -0.025	330	M30	52	45 x 22 x 330

X = 0 or 5; single stage and multistage

Metric DIN Style "E"

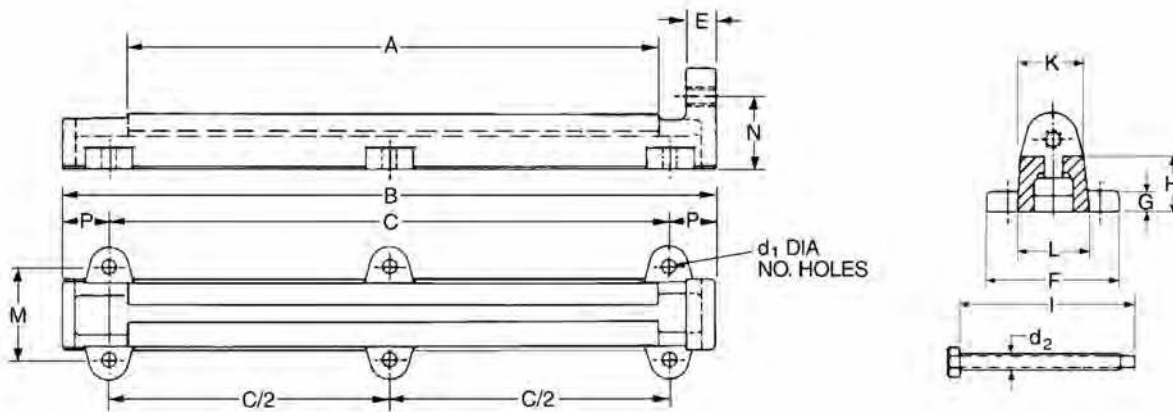


Dimensions are in mm.

Size	Type	ØU	Tolerance	V	S	L1	Key Dimensions	v ₁	v ₂
606 X	E	14 k6	+0.012 +0.001	30	M5	16	5 x 5 x 20	2.5	25
607 X	E	20 k6	+0.015 +0.002	40	M6	16	6 x 6 x 25	4	32
608 X	E	25 k6	+0.015 +0.002	50	M10	20	6 x 6 x 30	3.5	40
609 X	E	25 k6	+0.015 +0.002	50	M10	20	8 x 7 x 32	3.5	40
610 X	E	30 k6	+0.015 +0.002	60	M10	20	8 x 7 x 32	3.5	50
611 X	E	35 k6	+0.018 +0.002	70	M12	20	10 x 8 x 37	7	56
612 X	E	35 k6	+0.018 +0.002	70	M12	24	10 x 8 x 50	7	56
613 X	E	50 k6	+0.018 +0.002	100	M16	30	14 x 9 x 56	10	80
614 X	E	50 k6	+0.018 +0.002	100	M16	30	14 x 9 x 80	10	80

X = 0 or 5; single stage and multistage

Slide Rail Dimensions



All dimensions are in inches

Model ^[1]	A	B	C	E	F	G	H	K	L	M	N	P	d.	No. Holes	C/2	Wt. Lbs. Pc.	Adjust ^[2] Bolt (d. x i)	Cyclo Mount ^[2] Bolt (Sq.Hd.)
6090, 6095 6100, 6105 610H	10.63	17.32	16.14	.79	1.34	0.71	1.97	1.18	.79	—	2.28	.59	.55	2	—	5	M12 x 4.72	M10 x 1.57
6120, 6125 612H	11.42	20.08	18.50	1.18	1.97	0.98	2.76	1.57	1.18	—	3.15	.79	.71	2	—	10	M16 x 5.12	M12 x 1.97
6130, 6135 6140, 6145 614H	15.75	20.47	16.93	1.18	4.72	0.79	1.97	1.97	2.36	3.35	2.44	1.77	.55	4	—	14	M16 x 6.30	M16 x 2.56
6160, 6165 616H	20.47	25.20	21.65	1.18	5.12	0.98	2.05	2.17	2.76	3.74	2.76	1.77	.55	4	—	26	M16 x 7.87	M16 x 2.56
6170, 6175	21.65	29.53	23.62	1.77	7.09	1.18	2.56	3.15	3.74	5.12	3.35	2.95	.87	4	—	38	M24 x 9.45	M20 x 3.15
6180, 6185	25.59	33.46	27.56	1.77	7.09	1.18	3.15	3.15	3.74	5.12	3.94	2.95	.87	4	—	42	M24 x 11.81	M20 x 3.15
6190, 6195	25.59	33.46	27.56	1.77	9.06	1.57	3.54	3.94	5.12	6.69	4.33	2.95	1.02	4	—	84	M24 x 11.81	M24 x 3.94
6205	31.50	39.37	33.46	1.77	9.06	1.38	3.94	4.72	5.91	7.09	4.92	2.95	1.02	6	16.73	114	M24 x 12.99	M24 x 4.33
6215	31.50	39.37	33.46	1.77	9.06	1.38	3.94	4.72	5.91	7.09	4.92	2.95	1.02	6	16.73	114	M24 x 12.99	M24 x 4.53
6225, 6235	32.28	48.82	37.00	2.17	10.04	1.61	5.51	6.69	10.04	6.89	6.50	5.91	1.54	6	18.50	254	M36 x 16.34	M30 x 4.72
6245	44.09	60.63	48.82	2.17	10.04	1.61	6.89	6.69	10.04	6.89	7.87	5.91	1.54	6	24.41	346	M36 x 25.20	M36 x 5.31
6255	44.09	60.63	48.82	2.17	10.04	1.61	6.89	6.69	10.04	6.89	7.87	5.91	1.54	6	24.41	346	M36 x 25.20	M36 x 5.51

Notes: [1] Models 6090 through 6255 require two rails.
 [2] Metric bolts furnished by factory; lengths shown in inches.

Speed Reducers

Slide Rail Dimensions

Cyclo Food Industry Option Packages

Four food-grade packages are available for use in machinery where there is incidental food contact.

The following optional packages are available for Cyclo® frame sizes 6060 through 6165.

When ordering, choose the Special Specification Code (SSC) that meets your requirements to obtain the features listed below.

Available Food Industry Option Packages (Cyclo® frame sizes 6060-6165 only)

Modification	SHIELD360*	Ultra SHIELD360*	Food Grade
Severe Duty Breather		X	
FDA Epoxy Paint			X
FDA White Acrylic Top Coat	X		
FDA Stainless Grey Epoxy Clear		X	
FDA Grease/Oil	X	X	X
FKM AM & Chemical		X	
Stainless Steel or Zinc Hardware		X	
Stainless or Tesa Nameplate		X	
Stainless Steel Output Shaft		X	

Speed
Reducers

Cyclo Food
Industry

Stainless Steel Output Shaft: maximum torque ratings with standard solid shaft diameters are the same as those listed in this catalog for standard models. Consult the factory when ordering smaller than standard diameter, or if there will be overhung load.

Ultra SHIELD360™: available in a quill only.

Warranty

Sumitomo warrants that its Cyclo® Speed Reducers and Cyclo® Gear Motors will deliver their continuous catalog ratings and up to 500% intermittent SHOCK LOAD CAPACITY, provided they are properly installed, maintained and operated within the limits of speed, torque or other load conditions under which they were sold. Sumitomo further states that Cyclo® Speed Reducers and Cyclo® Gear Motors are warranted to be free of defects in material or workmanship for a period of two years from the date of shipment. Sumitomo assumes no liability beyond product repair or replacement under this limited warranty.

For construction purposes, be sure to obtain certified dimension sheets or drawings. Although we take every precaution to include accurate data in our catalog, we cannot guarantee such accuracy. If performance guarantees are required, they should be obtained in writing from the factory. Full consideration will be given to such requests when complete details are given of the proposed installation.

This page intentionally left blank.

Speed
Reducers

Warranty