

**THK**  
**NEW**



# LM Guide Actuators Featuring Caged Ball Technology

## Caged Ball Technology Offers

Long life and long-term, maintenance-free operation  
Excellent high speed performance  
Reduced variations in rolling resistance and low noise

**SKR**



**THK CO., LTD.**  
TOKYO, JAPAN

This catalog use non-chlorine bleached paper that produces no dioxin.

Catalog No. 309-1E

# Type SKR LM Guide Actuator with Caged Ball Technology

Caged Ball Technology LM guide + caged ball technology ball screw  
= Integrally constructed actuator with Caged Ball Technology

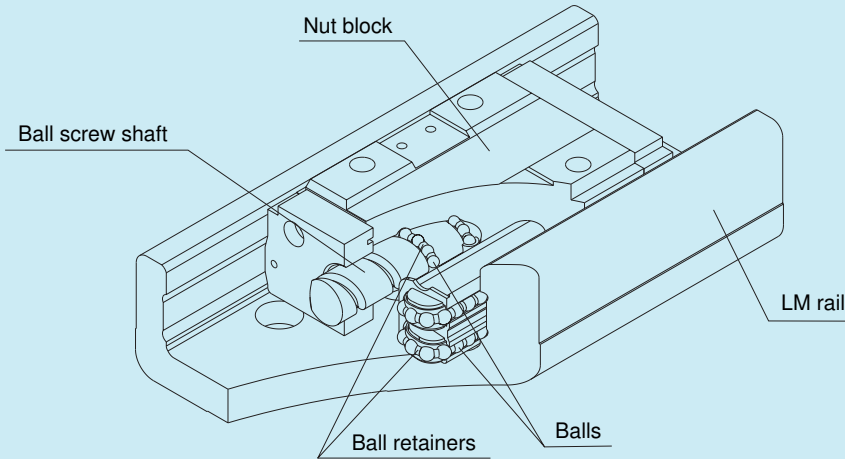


Figure 1 Construction of SKR-type LM Guide Actuator with Caged Ball Technology

## Construction and Features

The SKR-type LM guide actuator with Caged Ball Technology is a compact actuator that places a nut block(s) that integrates an LM block and ball screw nut onto the inside of the LM rail of a U-shaped cross-sectional form. Moreover, the addition of the LM guide and ball screw sections with Caged Ball Technology allows the SKR-type LM guide actuator to achieve higher speed, lower noise, longer maintenance-free operation, and other features in comparison with the conventional KR-type.

### ● Four-way Equal Load Rating

Each row of balls is arranged at a contact angle of 45° so that loads acting on the nut block in the four directions (radial, inverse radial, and two lateral directions) show the same rated load. Thus, the SKR-type LM guide actuators can be used in any position.

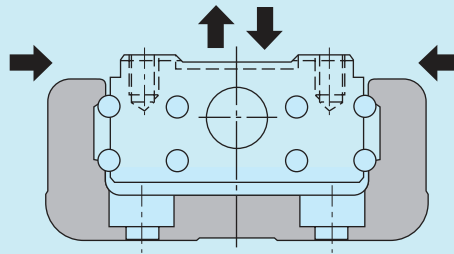


Figure 2 Load-carrying Capacity of the SKR-Type

### ● High Rigidity

The adoption of the LM rail of a U-shaped cross-sectional form allows improved rigidity against moment or torsion.

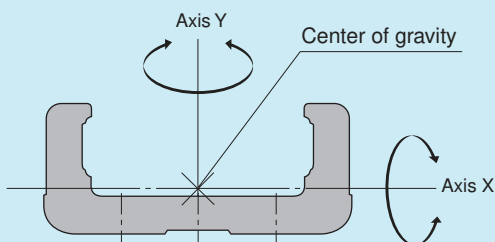


Figure 3 Sectional View of LM Rail

Table 1 LM Rail Cross-sectional Characteristics

Unit:mm<sup>4</sup>

Model	$I_x$	$I_y$	Mass:m(kg/100mm)
SKR33	$5.35 \times 10^4$	$3.52 \times 10^5$	0.61
SKR46	$2.05 \times 10^5$	$1.45 \times 10^6$	1.26

$I_x$  = geometrical moment of inertia around axis X

$I_y$  = geometrical moment of inertia around axis Y

● **High Precision**

The linear motion guide raceway has four rows of circular arc grooves that provide smooth motion by mere pre-load; clearance-free, highly rigid guidance is obtained. In addition, changes in frictional resistance resulting from load variations are minimized, allowing the SKR-type to follow up high-precision feed.

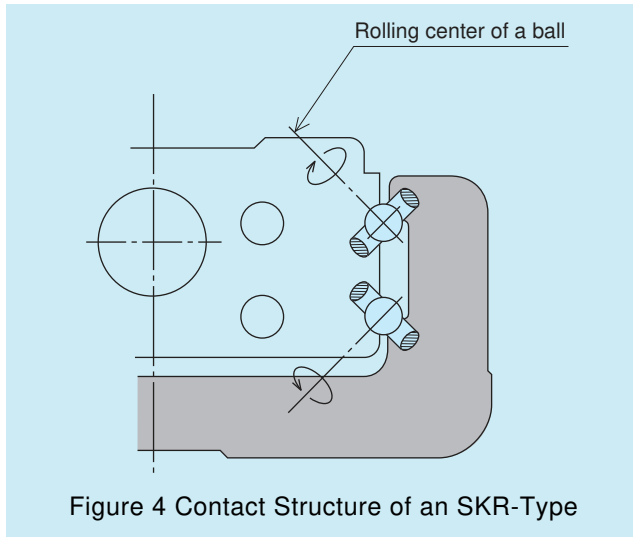


Figure 4 Contact Structure of an SKR-Type

● **Space Saving**

The integration of LM guide's guide raceway on both of the side faces of a nut block, and the integration of a ball screw nut at the center of the nut block, allows the SKR-type to achieve actuator functionality of high rigidity and high precision in a minimal space.

● **Long-term Maintenance-free Operation**

With the effects of the ball retainers, the SKR-type has improved grease retention capability and achieves long life and extended maintenance-free operation.

● **Three Times Longer Life Span (For \*KR3310, the life span is calculated by the following equation.)**

Because its basic dynamic rated load at the LM guide and ball screw sections is greater than that of the conventional KR-type, the SKR-type achieves a long life span. The rated life C can be calculated by the following equation.

LM guide

$$L = (C / P)^3 \times 50$$

where

L : rated life span (km)

C : basic dynamic rated load (N)

P : carrying load (N)

Ball screw

$$L = (Ca / Fa)^3 \times 10^6$$

where

L : rated life span (rev.)

Ca : basic dynamic rated load (N)

Fa : carrying load in axial direction (N)

From the noted equations, the greater the basic dynamic rated load, the longer the life span for both the LM guide and ball screw sections.

Table 2 Comparison of the Basic Dynamic Rated Loads between the SKR and Conventional KR Types

Unit: N

Basic Dynamic Rated Load		SKR3310	KR3310	SKR4620	KR4620
LM Guide	Long type block	17000	11600	39500	27400
	Short type block	11300	4900	28400	14000
Ball Screw		2700	1760	4240	3040

## ● High Speed


Through the use of Caged Ball Technology, the SKR-type is compatible with the latest high-speed rotation AC servo-motors ( $6000 \text{ min}^{-1}$ ), achieving higher-speed motion than the conventional KR-type.

The ball screw lead settings of the conventional KR33 type were 6 mm and 10 mm. For the new SKR33 type, to achieve higher-speed feed, a new ball screw lead of 20 mm has been added to its lineup.

Table 3 Maximum Traverse Rate

Model	Ball Screw's Lead (mm)	LM Rail Length (mm)	Maximum Traverse Rate (mm/sec)
SKR33	06	150	600
		200	600
		300	600
		400	600
		500	600
		600	530
		700	381
	10	150	1,000
		200	1,000
		300	1,000
		400	1,000
		500	1,000
		600	884
		700	635
	20	150	2,000
		200	2,000
		300	2,000
		400	2,000
		500	2,000
		600	1,768
		700	1,269
SKR46	10	340	1,000
		440	1,000
		540	1,000
		640	975
		740	705
		940	418
	20	340	2,000
		440	2,000
		540	2,000
		640	1,950
		740	1,410
		940	835

The maximum traverse rate of the SKR-type is limited by the critical speed of the ball screw shaft regardless of the maximum rotational speed ( $6000 \text{ min}^{-1}$ ) of the motor. Please bear this in mind when using the SKR-type in high-speed applications.

If you are considering using the SKR-type at a rate higher than the noted maximum traverse rate, contact .

## ● Excellent Sliding Capability

Caged Ball Technology also helps the SKR-type eliminate ball-to-ball friction significantly improving the torque characteristics. It minimizes torque variations, allowing excellent sliding capability.

Item	Value
Shaft diameter/lead	Ø13/10 mm
Shaft rotational speed	60 min <sup>-1</sup>

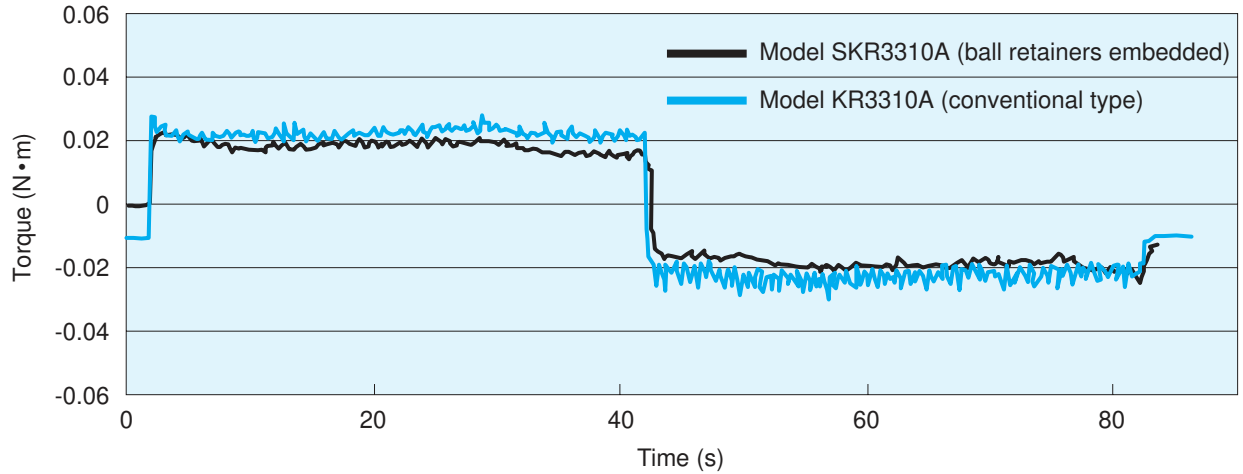


Figure 5 Comparison of Torque Variations between the SKR and KR Types

## ● Low Noise

The use of Caged Ball Technology in the LM guide and ball screw allows the SKR-type to eliminate the noise caused by the balls colliding. This lets the SKR-type achieve low noise emission and a pleasing sound quality.

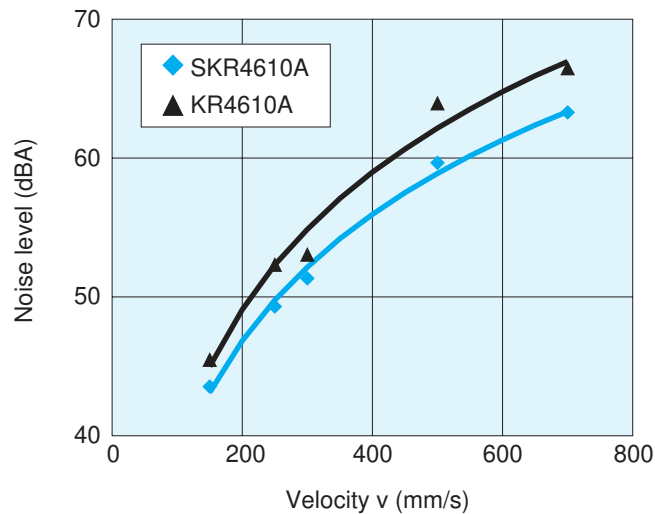
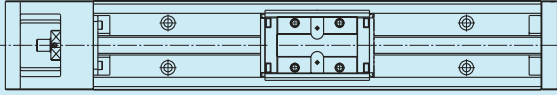


Figure 6 Comparison of the Noise Levels of the SKR4610A and KR4610A Models

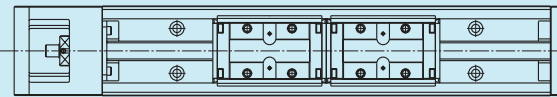
## Types

### SKR-A type



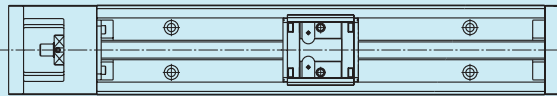
This is the typical model of the SKR-type.

### SKR-B type



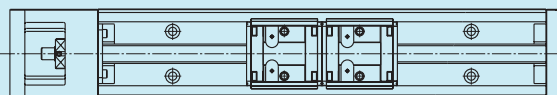
This is the type in which two nut blocks of the SKR-A type are provided to achieve higher rigidity, higher load capacity, and higher precision.

### SKR-C type



This is the type in which the full length of the SKR-A type's nut blocks is shortened to have a longer stroke. Note that the SKR3320 model has no short type block.

### SKR-D type

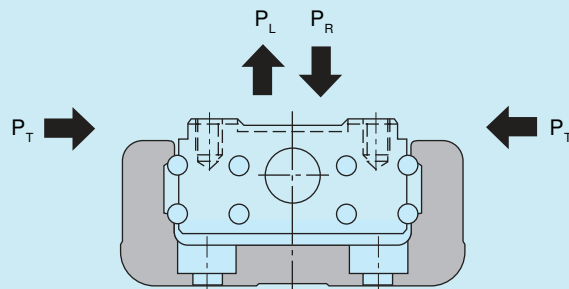


This is the type in which two SKR-C type nut blocks are provided. Because this type allows provision of a span suitable for the equipment, high rigidity can be achieved. Note that the SKR3320 model has no short type block.

## Rated Load and Permissible Moment in Each Direction

### ● Rated Load

The SKR-type LM guide actuators with Caged Ball Technology consist of the LM guide, ball screw, and supporting bearing. Table 4 shows the rated loads.



- **LM guide section**

The SKR-type can carry loads in all directions, i.e., the radial, inverse radial, and two lateral directions. The basic rated load is the same in these four directions and their values are shown in Table 4.

- **Ball screw section**

The SKR-type can carry loads in the axial direction since it incorporates a ball screw nut in the nut block. The basic rated load value is shown in Table 4.

- **Supporting bearing**

The SKR-type can carry loads in the axial direction since it incorporates an angular bearing in housing A. The basic rated load value is shown in Table 4.

- **Equal Load (in the LM Guide)**

When loads are simultaneously applied to the SKR-type's LM guide in all directions, the equivalent load is obtained by the following equation.

$$P_E = P_R (P_L) + P_T$$

where

$P_E$  : equivalent load (N)

In the radial direction

In the inverse radial direction

In the lateral directions

$P_R$  : radial load (N)

$P_L$  : inverse radial load (N)

$P_T$  : load in the lateral directions (N)

Table 4 Rated Loads

		Model	SKR33			SKR46	
LM Guide	Basic dynamic rated load C (N)	Long type block, types A & B	17000			39500	
		Short type block, types C & D	11300			28400	
	Basic static rated load C <sub>0</sub> (N)	Long type block, types A & B	20400			45900	
		Short type block, types C & D	11500			28700	
Radial clearance (mm)	Standard/high quality	0 to -0.004			0 to -0.006		
	Precision quality	-0.004 to -0.012			-0.006 to -0.016		
Ball Screw	Screw shaft outer diameter (mm)		13			15	
	Lead (mm)		6	10	20	10	20
	Root diameter (mm)		10.8			12.5	
	Ball center diameter (mm)		13.5			15.75	
	Basic dynamic rated load C <sub>a</sub> (N)		4400	2770	2620	4350	4240
	Basic static rated load C <sub>0a</sub> (N)		6290	3780	3770	6990	7040
Supporting Bearing	Basic dynamic rated load C <sub>a</sub> (N)		6250			6700	
	Permissible static load P <sub>0a</sub> (N)		2700			3330	

Notes: • The rated load of the LM guide is the rated load per nut block.

• Model SKR3320 has no short type block.

- **Permissible Moment (LM Guide)**

The SKR-type's LM guide section can carry moment in all directions even though it uses only one nut block. Table 5 shows the permissible static moment values in the M<sub>A</sub>, M<sub>B</sub>, and M<sub>C</sub> directions.

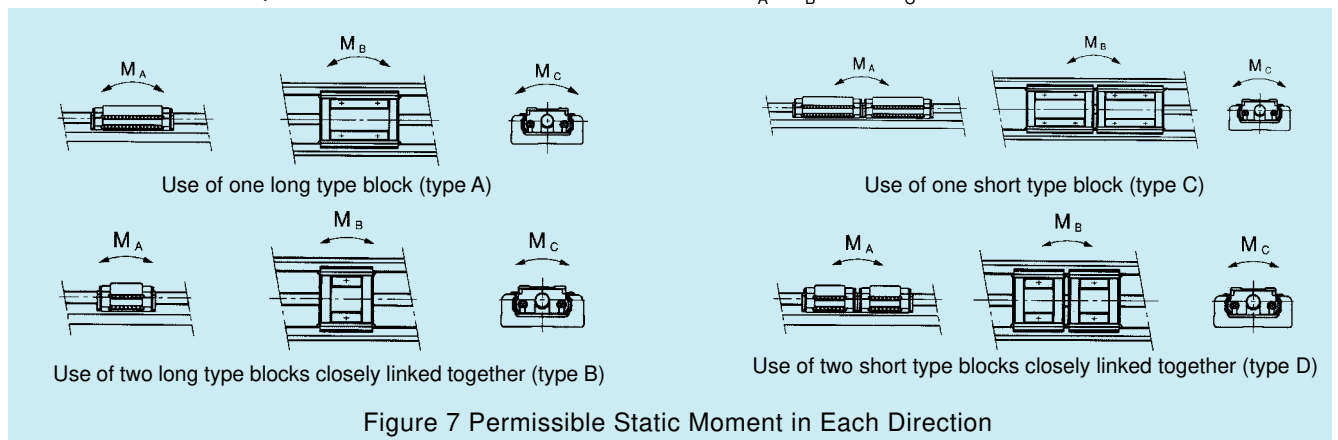


Figure 7 Permissible Static Moment in Each Direction

Table 5 Permissible Static Moment

Unit: N·m

Model	Permissible Static Moment		
	$M_A$	$M_B$	$M_C$
SKR33 - A	173	173	424
SKR33 - B	990	990	848
SKR33 - C	58	58	240
SKR33 - D	390	390	480
SKR46 - A	579	579	1390
SKR46 - B	3240	3240	2780
SKR46 - C	236	236	870
SKR46 - D	1460	1460	1740

Note 1: Symbol A, B, C, or D at the end of the model number represents the type of nut block and the number of them in use.

A: long type block, one piece used

B: long type block, two pieces closely linked together

C: short type block, one piece used

D: short type block, two pieces closely linked together

Note 2: The permissible static moment for the SKR-B or -D type shows a value applicable when two nut blocks are used and closely linked together.

## Life Span

The SKR-type LM guide actuator with Caged Ball Technology consists of the LM guide, ball screw, and supporting bearing. The life span of each constituting component can be calculated based on the basic dynamic rated load shown in Rated Loads (Table 4 on p. 6).

### ● Calculation of Life Span

#### 1) LM Guide

##### ■ Rated Life Span

The rated life span (L) refers to the total traveling distance that 90% of a group of the same LM guides can achieve without flaking (flakes peeling off the metal surface) when these LM guides are individually moved under the same conditions.

The rated life span of the LM guide can be obtained by equation (1).

$$L = \left( \frac{f_c \cdot C}{f_w \cdot P_c} \right)^3 \times 50 \quad (1)$$

where

L : rated life span (km)

C : basic dynamic rated load (N)

$P_c$  : calculated carrying load (N)

$f_w$  : load factor (see Table 7)

$f_c$  : contact factor (see Table 6)

- If moment is acted on the SKR-type when using the SKR-A/-C type or the SKR-B/-D type of closely linked double nut blocks, multiply the acting moment by the equivalent coefficient shown in Table 8 to calculate equivalent load.

$$P_m = K \cdot M$$

where

$P_m$  : Equivalent load (per block) (N)

K : Moment-equivalent factor

M : Operating moment (N·mm)

(If the SKR-type is used using three or more nut blocks or with the span separated, contact  $\overline{\text{THK}}$ .)

In particular, if moment  $M_C$  acts on the SKR-B or -D type, use the following equation to obtain the equivalent load:

$$P_m = \frac{K_c \cdot M_c}{2}$$

- If radial load (P) and moment act on the SKR-type simultaneously, use the following equation to calculate the life span:

$$P_E = P_m + P$$

where

$P_E$  : Total equivalent radial load (N)

##### ■ Life Span

When the rated life span (L) is obtained, the life span can be obtained by equation (2) if the stroke length and the number of back and forth motions are constant.

$$L_h = \frac{L \times 10^6}{2 \cdot \ell_s \cdot n_1 \times 60} \quad (2)$$

where

$L_h$  : life span (h)

$\ell_s$  : stroke length (mm)

$n_1$  : number of back and forth motions per minute ( $\text{min}^{-1}$ )



## 2) Ball Screw and Supporting Bearing

### ■ Rated Life Span

The rated life span (L) refers to the total number of revolutions that 90% of a group of the same ball screws (supporting bearings) can achieve without flaking when these ball screws (supporting bearings) are individually operated under the same conditions.

The rated life of the ball screws or supporting bearings is calculated by equation (3).

$$L = \left( \frac{C_a}{f_w \cdot F_a} \right)^3 \times 10^6 \quad (3)$$

where

L : rated life span (rev.)  
 C<sub>a</sub> : basic dynamic rated load (N)  
 F<sub>a</sub> : axial load (N)  
 f<sub>w</sub> : load factor (see Table 7)

### ■ Life Span

When the rated life span (L) is obtained, the life span can be obtained by equation (4) if the stroke length and the number of back and forth motions are constant.

$$L_h = \frac{L \cdot \ell}{2 \cdot \ell_s \cdot n_1 \times 60} \quad (4)$$

where

L<sub>h</sub>: life span (h)  
 ℓ<sub>s</sub>: stroke length (mm)  
 n<sub>1</sub>: number of back and forth motions per minute (min<sup>-1</sup>)  
 ℓ: ball screw's lead (mm)

### ● f<sub>c</sub>: contact factor

If two nut blocks are used and closely linked together in the SKR-B or -D type, multiply the basic rated load by the contact factor shown in Table 6.

Table 6 Contact Factor (f<sub>c</sub>)

Types of Nut Blocks	Contact Factor f <sub>c</sub>
A/C Type	1.0
B/D Type	0.81

### ● f<sub>w</sub>: load factor

Table 7 shows the load factor.

Table 7 Load Factor (f<sub>w</sub>)

Vibration or Impact	Velocity (V)	f <sub>w</sub>
Minute	For crawling: V ≤ 0.25 m/s	1.0 to 1.2
Small	For slow speed: 0.25 < V ≤ 1.0 m/s	1.2 to 1.5
Medium	For intermediate speed: 1.0 < V ≤ 2.0 m/s	1.5 to 2.0
Large	For high speed: V > 2.0 m/s	2.0 to 3.5

### ● K: moment equivalent coefficient (LM guide)

If traveling is conducted putting on moment, the load-carrying distribution on the LM guide increases locally. In this case, multiply the moment value with the moment equivalent coefficient shown in Table 8 to make the load calculation.

K<sub>A</sub>, K<sub>B</sub>, and K<sub>C</sub> show the moment equivalent coefficients in the M<sub>A</sub>, M<sub>B</sub>, and M<sub>C</sub> directions respectively.

Table 8 Moment Equivalent Coefficient (K)

Model	K <sub>A</sub>	K <sub>B</sub>	K <sub>C</sub>
SKR33 - A	1.42×10 <sup>-1</sup>	1.42×10 <sup>-1</sup>	5.05×10 <sup>-2</sup>
SKR33 - B	2.47×10 <sup>-2</sup>	2.47×10 <sup>-2</sup>	5.05×10 <sup>-2</sup>
SKR33 - C	2.39×10 <sup>-1</sup>	2.39×10 <sup>-1</sup>	5.05×10 <sup>-2</sup>
SKR33 - D	3.54×10 <sup>-2</sup>	3.54×10 <sup>-2</sup>	5.05×10 <sup>-2</sup>
SKR46 - A	9.51×10 <sup>-2</sup>	9.51×10 <sup>-2</sup>	3.46×10 <sup>-2</sup>
SKR46 - B	1.70×10 <sup>-2</sup>	1.70×10 <sup>-2</sup>	3.46×10 <sup>-2</sup>
SKR46 - C	1.46×10 <sup>-1</sup>	1.46×10 <sup>-1</sup>	3.46×10 <sup>-2</sup>
SKR46 - D	2.36×10 <sup>-2</sup>	2.36×10 <sup>-2</sup>	3.46×10 <sup>-2</sup>

K<sub>A</sub>: moment equivalent coefficient in the M<sub>A</sub> direction

K<sub>B</sub>: moment equivalent coefficient in the M<sub>B</sub> direction

K<sub>C</sub>: moment equivalent coefficient in the M<sub>C</sub> direction

Note: For the SKR-B and -D types, the moment equivalent coefficient shows the value applied when two nut blocks are closely linked together.

## Accuracy Criteria

The tables below show the accuracy criteria of the SKR-type.

Table 9 Accuracy Criteria

Table 9-1 Standard Quality (No Symbol Assigned)

Unit: mm

Model	Rail Length	Repetitive Positioning Accuracy	Positioning Accuracy	Traveling Parallelism	Backlash	Starting Torque (N-cm)
SKR33	150	± 0.010	Not specified	Not specified	0.020	7
	200					
	300					
	400					
	500					
	600					
	700					
SKR46	340	± 0.010	Not specified	Not specified	0.020	10
	440					
	540					
	640					
	740					
	940					

Table 9-2 High Quality (H)

Unit: mm

Model	Rail Length	Repetitive Positioning Accuracy	Positioning Accuracy	Traveling Parallelism	Backlash	Starting Torque (N-cm)								
SKR33	150	± 0.005	0.060	0.025	0.020	7								
	200													
	300													
	SKR46		340	± 0.005			0.100	0.035	0.020	10				
			440											
			540											
			SKR46				640	± 0.005			0.120	0.040	0.020	10
740														
SKR46		940			± 0.005	0.150	0.050				0.020	10		
		940												

Table 9-3 Precision Quality (P)

Unit: mm

Model	Rail Length	Repetitive Positioning Accuracy	Positioning Accuracy	Traveling Parallelism	Backlash	Starting Torque (N-cm)							
SKR33	150	± 0.003	0.020	0.010	0.003	15							
	200												
	300												
	SKR46		340	± 0.003			0.025	0.015	0.003	15			
			440										
			SKR46				640	± 0.003		0.030	0.020	0.003	17
							740						

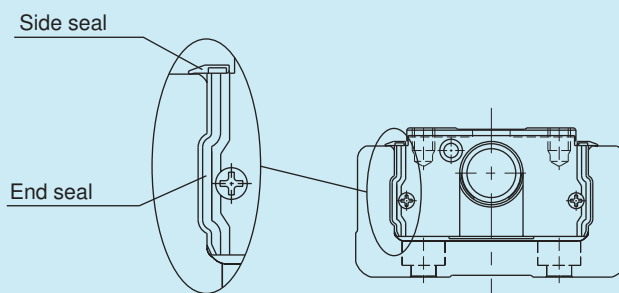
The evaluation method of the accuracy criteria complies with the JIS standards.

The starting torque shows a value achieved when JIS AFB-LF grease is used with the product.

If high-viscosity grease such as vacuum grease or grease for clean rooms is used, there are cases where the criteria value is exceeded. In such a case, exercise care in selecting the motor.

## Seals

The SKR-type is equipped with an end seal and a side seal as standard for dust-proofing.



## Structure of Model Number

Control number  
**SKR33 10 A + 300L P 0 - 0 0 0 0**  

①
②
③
④
⑤
⑥
⑦
⑧
⑨
⑩

- ① Model number
- ② Ball screw's lead (mm)
- ③ Type of nut block
- ④ LM rail length (mm)
- ⑤ Accuracy class (see Table 10)
- ⑥ Provision/non-provision of a motor (see Table 10)
- ⑦ Provision/non-provision of a cover (see Table 10)
- ⑧ Sensor specifications (see Table 10)
- ⑨ Type of housing A : 0
- ⑩ Type of intermediate flange (see p. 20)

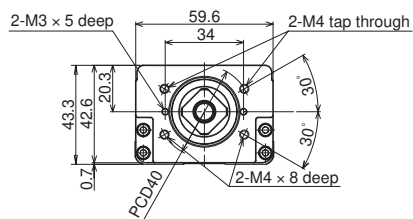
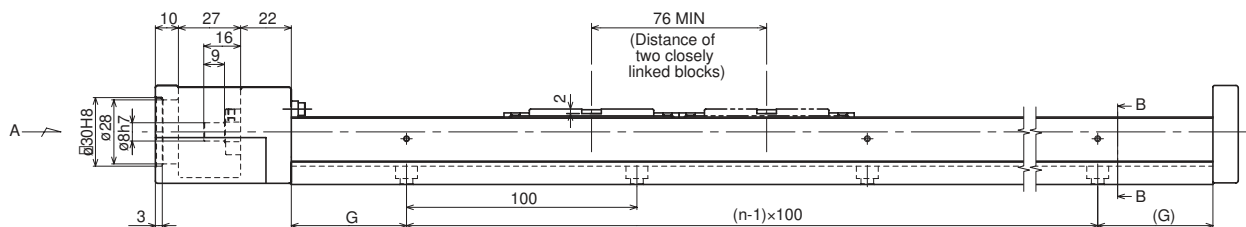
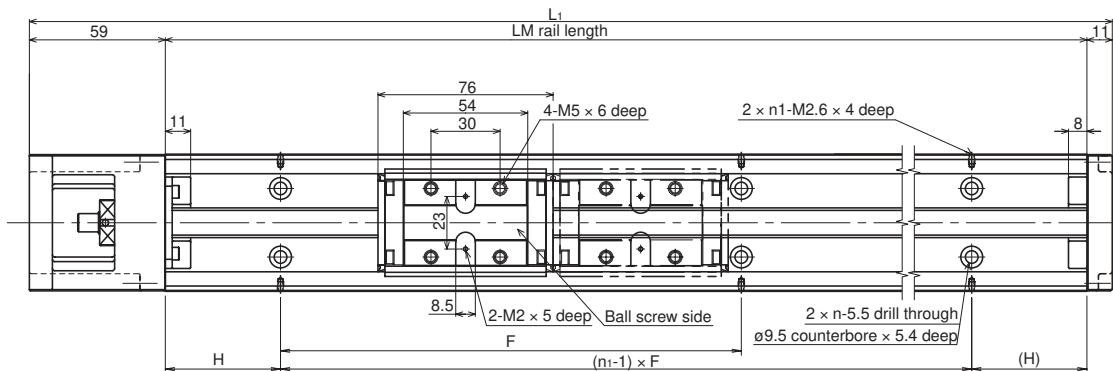
Table 10

Accuracy Class		Provision of Motor		Provision of Cover		Sensor Specifications	
Symbol	Description	Symbol	Description	Symbol	Description	Symbol	Description
No symbol	Standard quality	0	Not provided	0	Not provided	0	None
						1	With a sensor rail
						2	Photosensor EE-SX671 (Omron)
H	High quality	1	Provided	1	Provided	4	Proximity sensor (ON if an item approaches) GL-12F(SUNX)
						5	Proximity sensor (ON if an item approaches) GXL-N12F(SUNX)
						6	Photosensor EE-SX674 (Omron)
P	Precision quality	1	Provided	1	Provided	7	Proximity sensor (ON if an item approaches) APM-D3A1(Yamatake)
						8	Proximity sensor (ON if an item approaches) GL-N12F(SUNX)
						9	Proximity sensor (ON if an item moves away) GL-N12FB(SUNX)
						A	Proximity sensor (ON if an item moves away) GXL-N12FB(SUNX)
						B	Proximity sensor (ON if an item moves away) APM-D3B1(Yamatake)

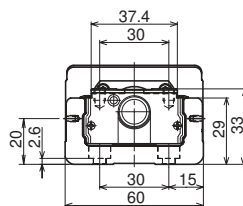
# SKR33 Standard Specifications

SKR33 A (with one long block)

SKR33 B (with two long blocks)



View A

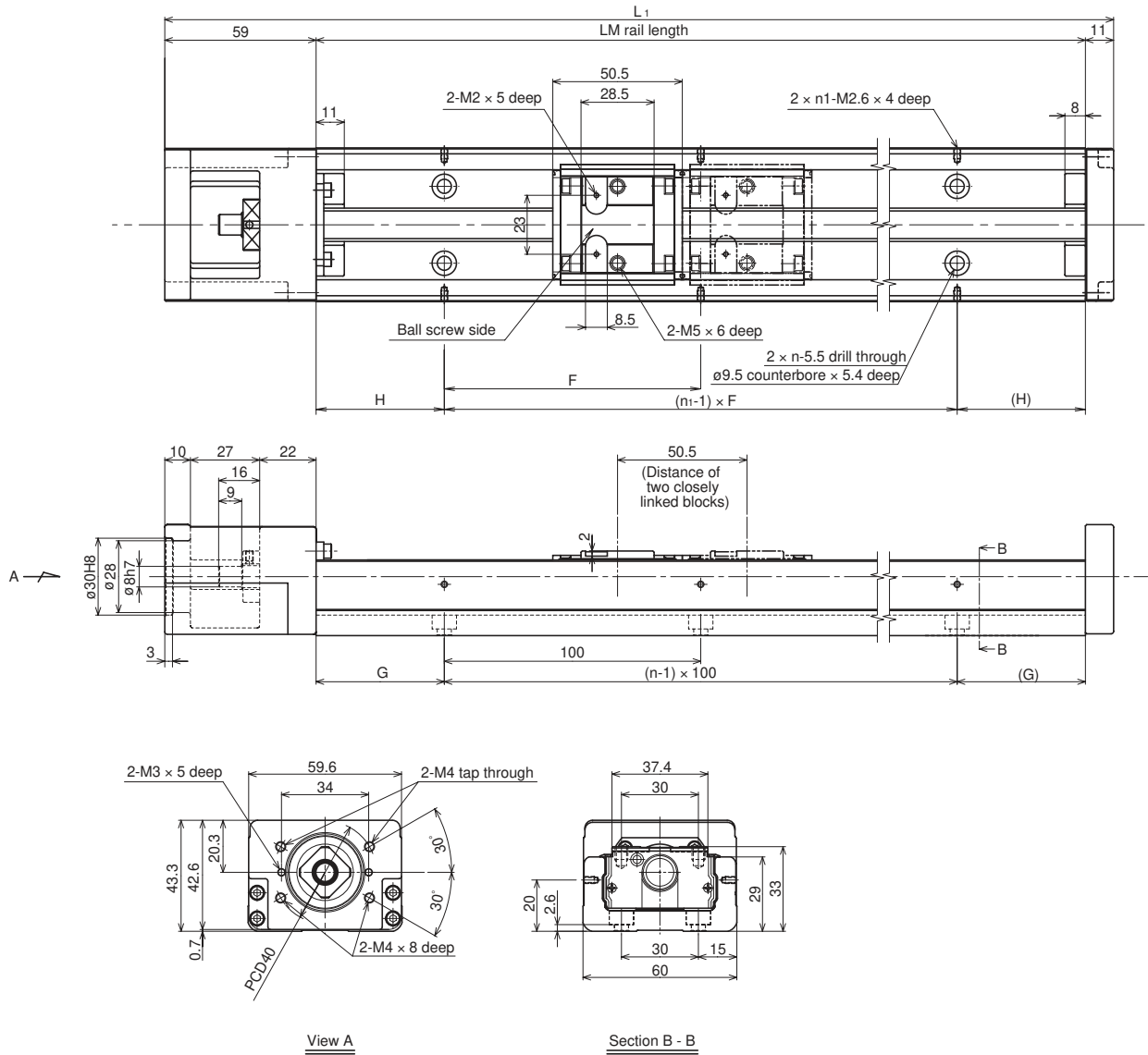


Section B - B

LM Rail Length (mm)	Full Length $L_1$ (mm)	Possible Stroke Range (mm)		H (mm)	G (mm)	F (mm)	n	n <sub>1</sub>	Unit's Total Weight (kg)	
		Type A	Type B						Type A	Type B
150	220	55	—	25	25	100	2	2	1.7	—
200	270	105	—	50	50	100	2	2	2.1	—
300	370	205	129	50	50	200	3	2	2.8	3.1
400	470	305	229	100	50	200	4	2	3.5	3.8
500	570	405	329	50	50	200	5	3	4.2	4.5
600	670	505	429	100	50	200	6	3	5.0	5.3
700	770	605	529	50	50	200	7	4	5.7	6.0

The possible stroke range of SKR33 B shows a value applicable when the product is used with two long type blocks closely linked together.

SKR33□□C (with one short block)  
 SKR33□□D (with two short blocks)



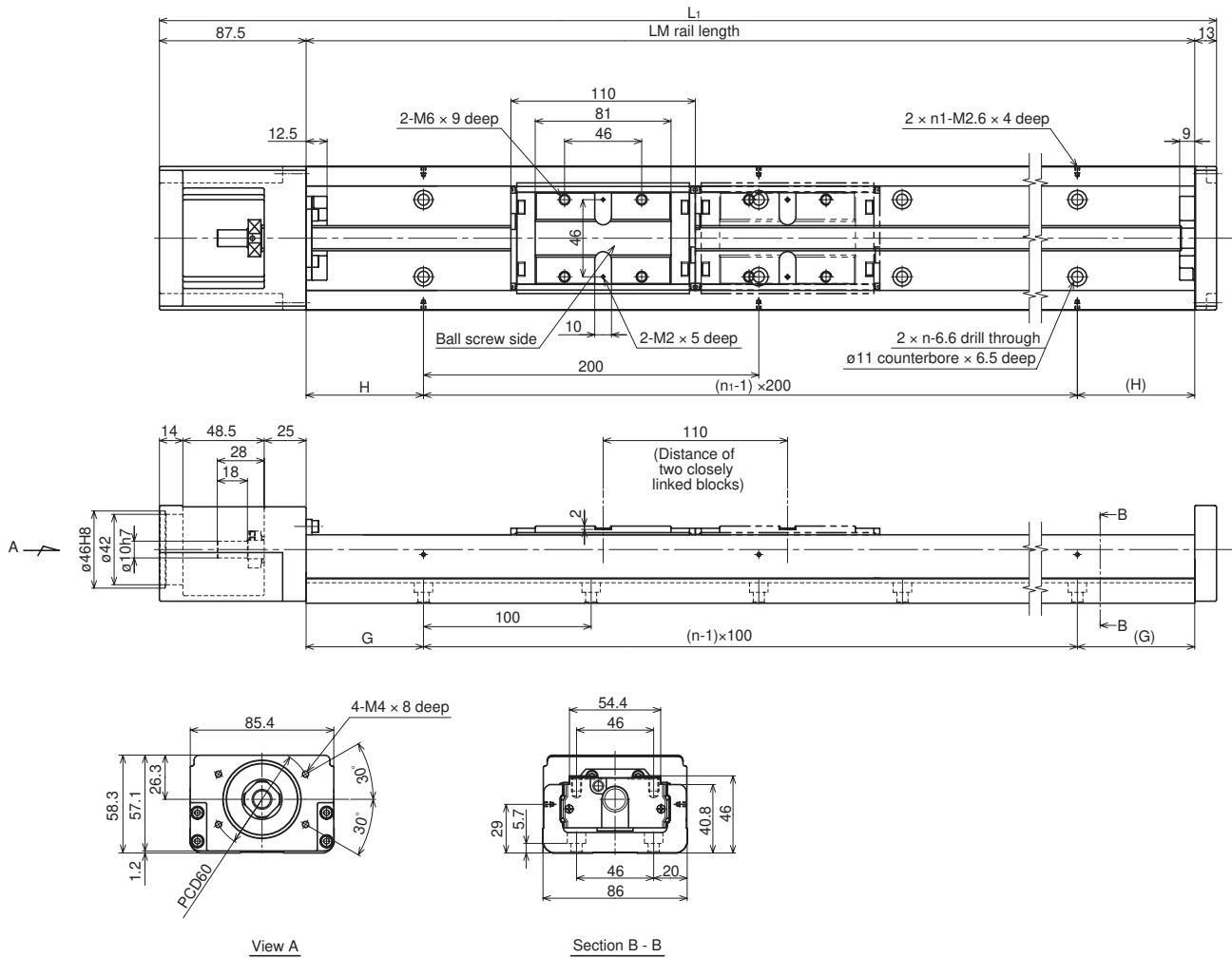
LM Rail Length (mm)	Full Length L <sub>1</sub> (mm)	Possible Stroke Range (mm)		H (mm)	G (mm)	F (mm)	n	n <sub>1</sub>	Unit's Total Weight (kg)	
		Type C	Type D						Type C	Type D
150	220	80.5	30	25	25	100	2	2	1.6	1.8
200	270	130.5	80	50	50	100	2	2	2.0	2.1
300	370	230.5	180	50	50	200	3	2	2.7	2.8
400	470	330.5	280	100	50	200	4	2	3.4	3.6
500	570	430.5	380	50	50	200	5	3	4.1	4.3
600	670	530.5	480	100	50	200	6	3	4.8	5.0
700	770	630.5	580	50	50	200	7	4	5.5	5.7

The possible stroke range of SKR33□□D shows a value applicable when the product is used with two short type blocks closely linked together.

# SKR46 Standard Specifications

SKR46 A (with one long block)

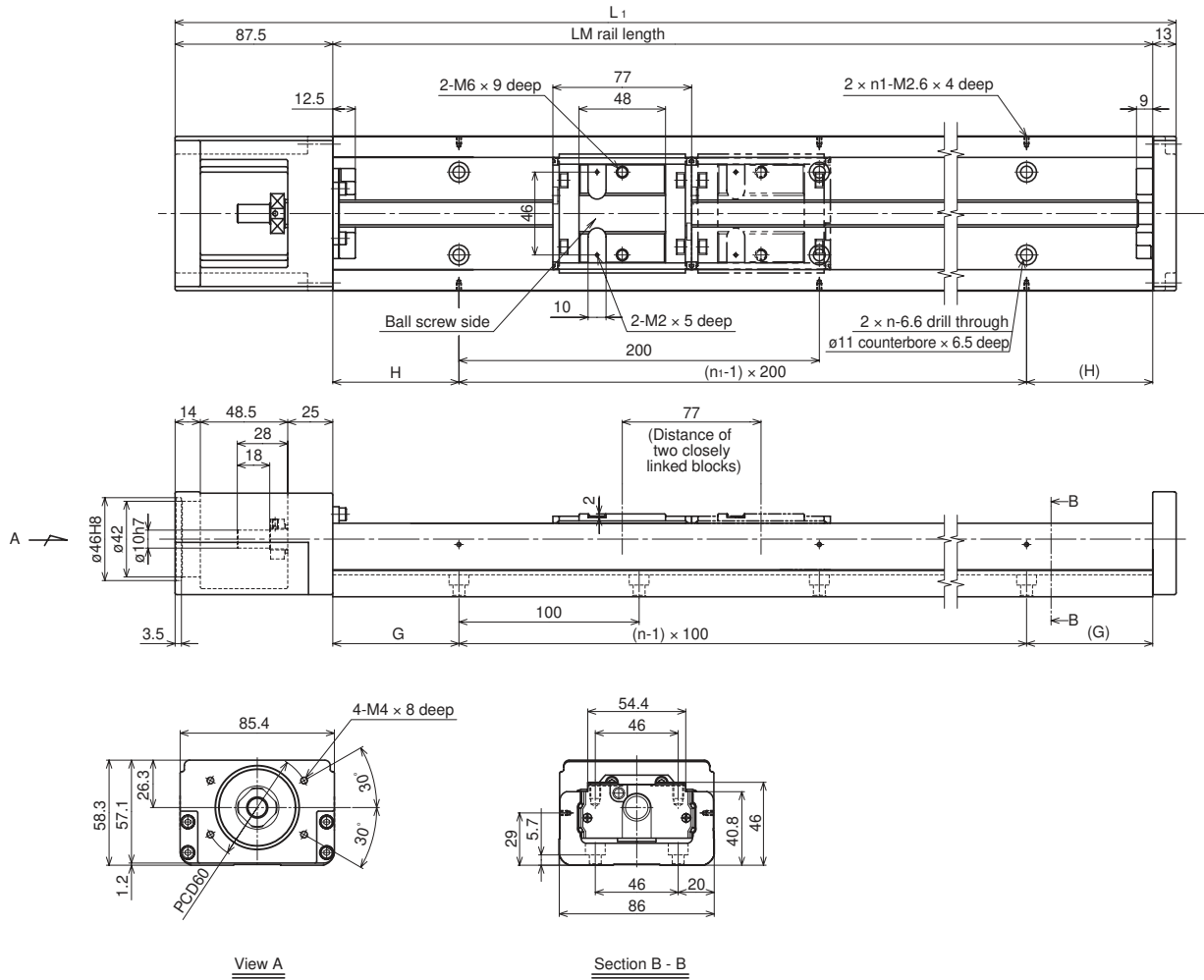
SKR46 B (with two long blocks)



LM Rail Length (mm)	Full Length $L_1$ (mm)	Possible Stroke Range (mm)		H (mm)	G (mm)	n	$n_1$	Unit's Total Weight (kg)	
		Type A	Type B					Type A	Type B
340	440.5	208.5	98.5	70	70	3	2	6.4	7.4
440	540.5	308.5	198.5	20	70	4	3	7.8	8.7
540	640.5	408.5	298.5	70	70	5	3	9.2	10.1
640	740.5	508.5	398.5	20	70	6	4	10.6	11.5
740	840.5	608.5	498.5	70	70	7	4	12.0	12.9
940	1040.5	808.5	698.5	70	70	9	5	14.8	15.7

The possible stroke range of SKR46 B shows a value applicable when the product is used with two long type blocks closely linked together.

SKR46□□C (with one short block)  
 SKR46□□D (with two short blocks)



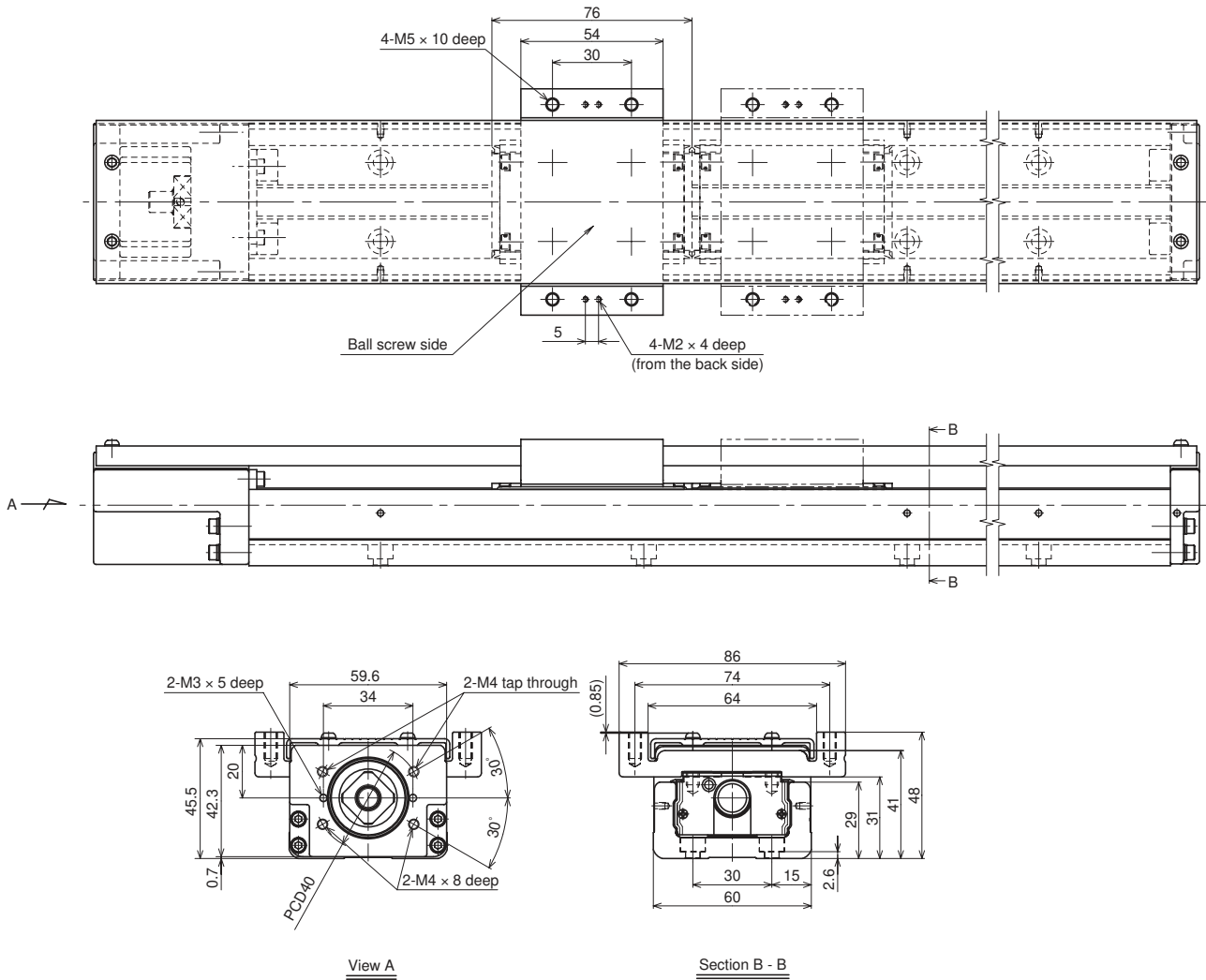
LM Rail Length (mm)	Full Length $L_1$ (mm)	Possible Stroke Range (mm)		H (mm)	G (mm)	n	$n_1$	Unit's Total Weight (kg)	
		Type A	Type B					Type A	Type B
340	440.5	241.5	164.5	70	70	3	2	6.1	6.7
440	540.5	341.5	264.5	20	70	4	3	7.5	8.1
540	640.5	441.5	364.5	70	70	5	3	8.9	9.5
640	740.5	541.5	464.5	20	70	6	4	10.3	10.8
740	840.5	641.5	564.5	70	70	7	4	11.7	12.2
940	1040.5	841.5	764.5	70	70	9	5	14.5	15.0

The possible stroke range of SKR46□□D shows a value applicable when the product is used with two short type blocks closely linked together.

# SKR33□□□ (with the Cover)

SKR33□□A (with one long block)

SKR33□□B (with two long blocks)

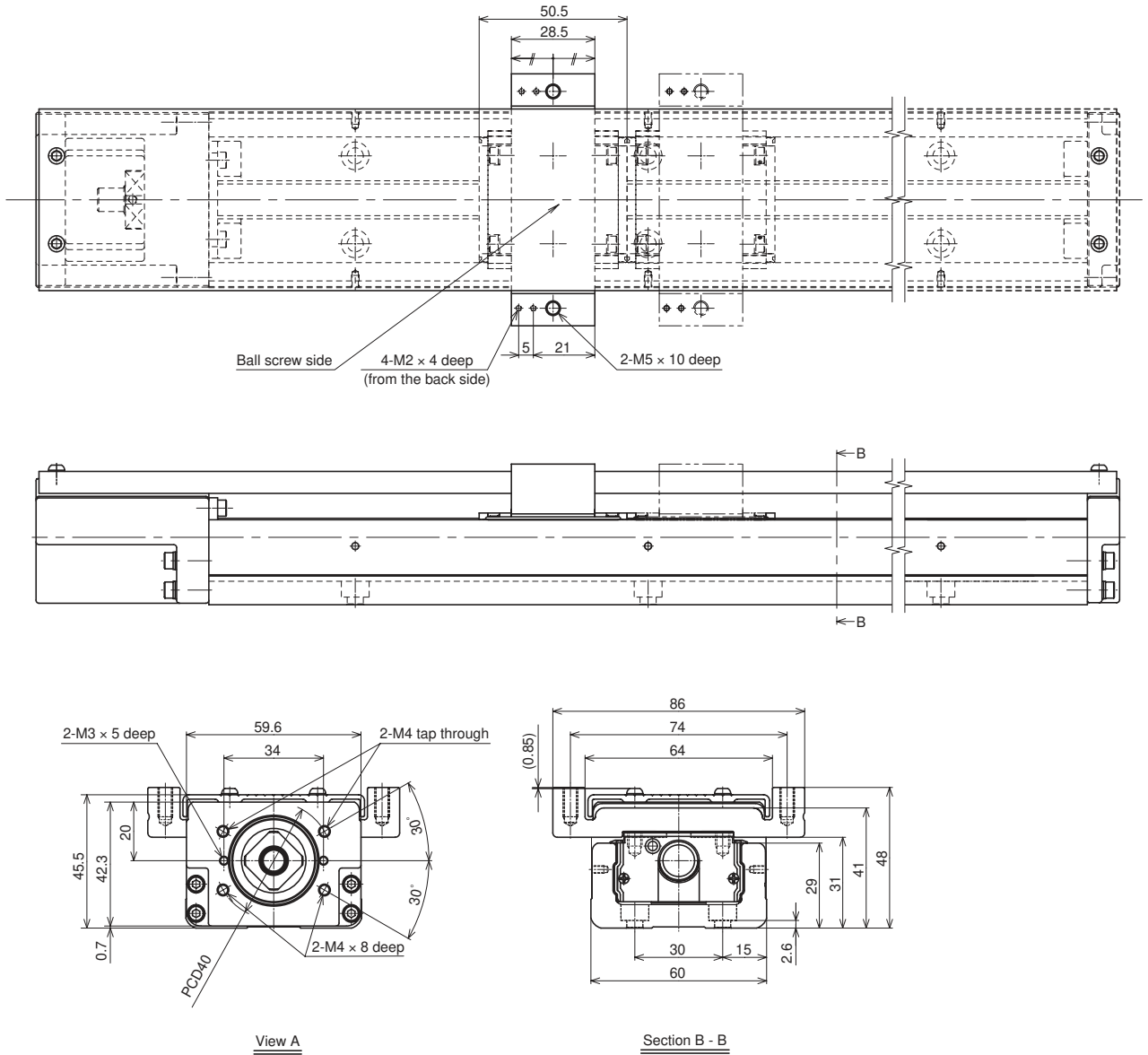


LM Rail Length (mm)	Full Length L <sub>1</sub> (mm)	Possible Stroke Range (mm)		H (mm)	G (mm)	F (mm)	n	n <sub>1</sub>	Unit's Total Weight (kg)	
		Type A	Type B						Type A	Type B
150	220	55	—	25	25	100	2	2	1.9	—
200	270	105	—	50	50	100	2	2	2.3	—
300	370	205	129	50	50	200	3	2	3.1	3.5
400	470	305	229	100	50	200	4	2	3.8	4.2
500	570	405	329	50	50	200	5	3	4.6	5.0
600	670	505	429	100	50	200	6	3	5.3	5.7
700	770	605	529	50	50	200	7	4	6.1	6.5

The possible stroke range of SKR33□□B shows a value applicable when the product is used with two long type blocks closely linked together.



SKR33□□C (with one short block)  
 SKR33□□D (with two short blocks)



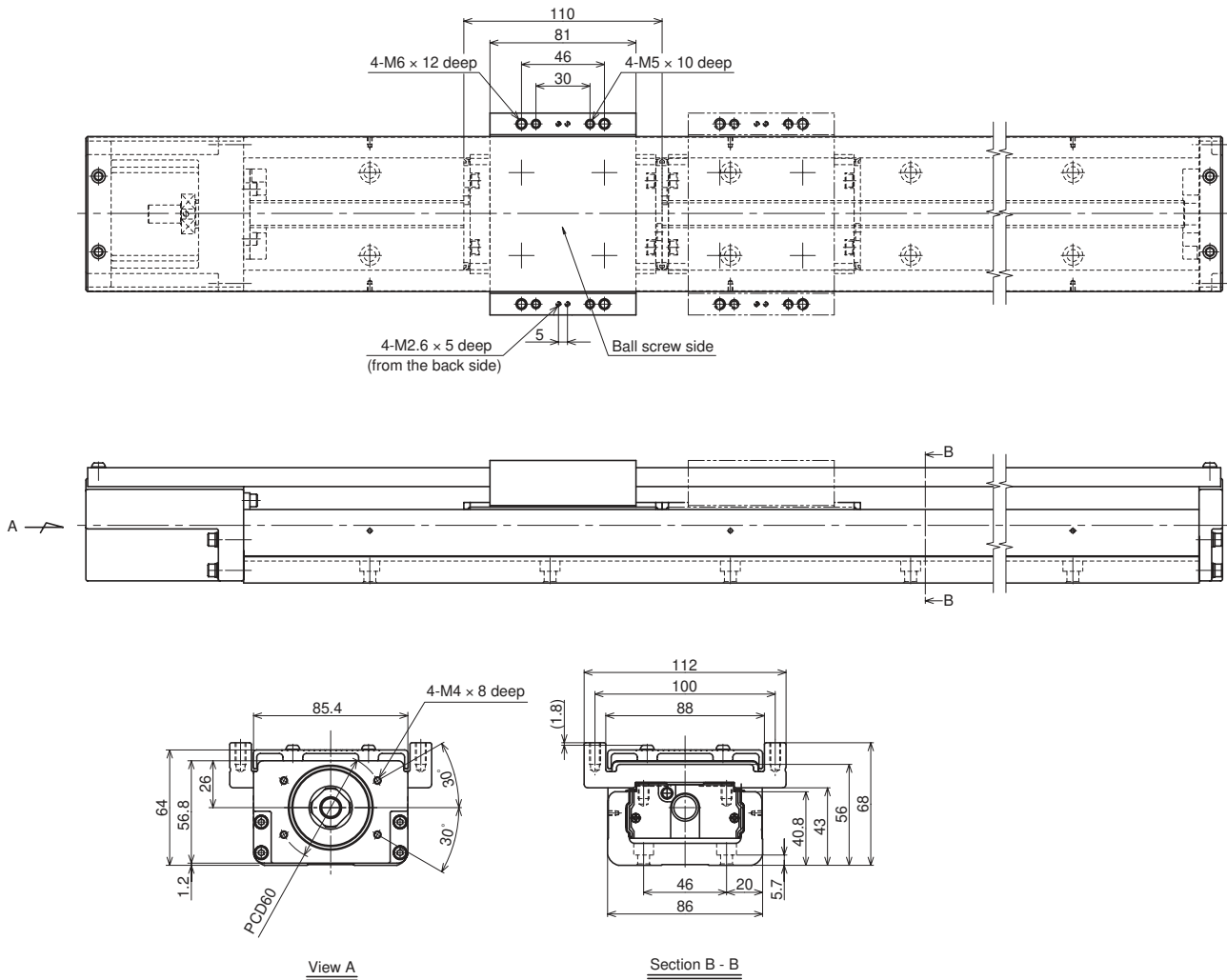
LM Rail Length (mm)	Full Length L <sub>1</sub> (mm)	Possible Stroke Range (mm)		H (mm)	G (mm)	F (mm)	n	n <sub>1</sub>	Unit's Total Weight (kg)	
		Type C	Type D						Type C	Type D
150	220	80.5	30	25	25	100	2	2	1.8	2.0
200	270	130.5	80	50	50	100	2	2	2.2	2.3
300	370	230.5	180	50	50	200	3	2	2.9	3.1
400	470	330.5	280	100	50	200	4	2	3.7	3.8
500	570	430.5	380	50	50	200	5	3	4.4	4.6
600	670	530.5	480	100	50	200	6	3	5.2	5.3
700	770	630.5	580	50	50	200	7	4	5.9	6.1

The possible stroke range of SKR33□□D shows a value applicable when the product is used with two short type blocks closely linked together.

# SKR46□□□ (with the Cover)

SKR46□□A (with one long block)

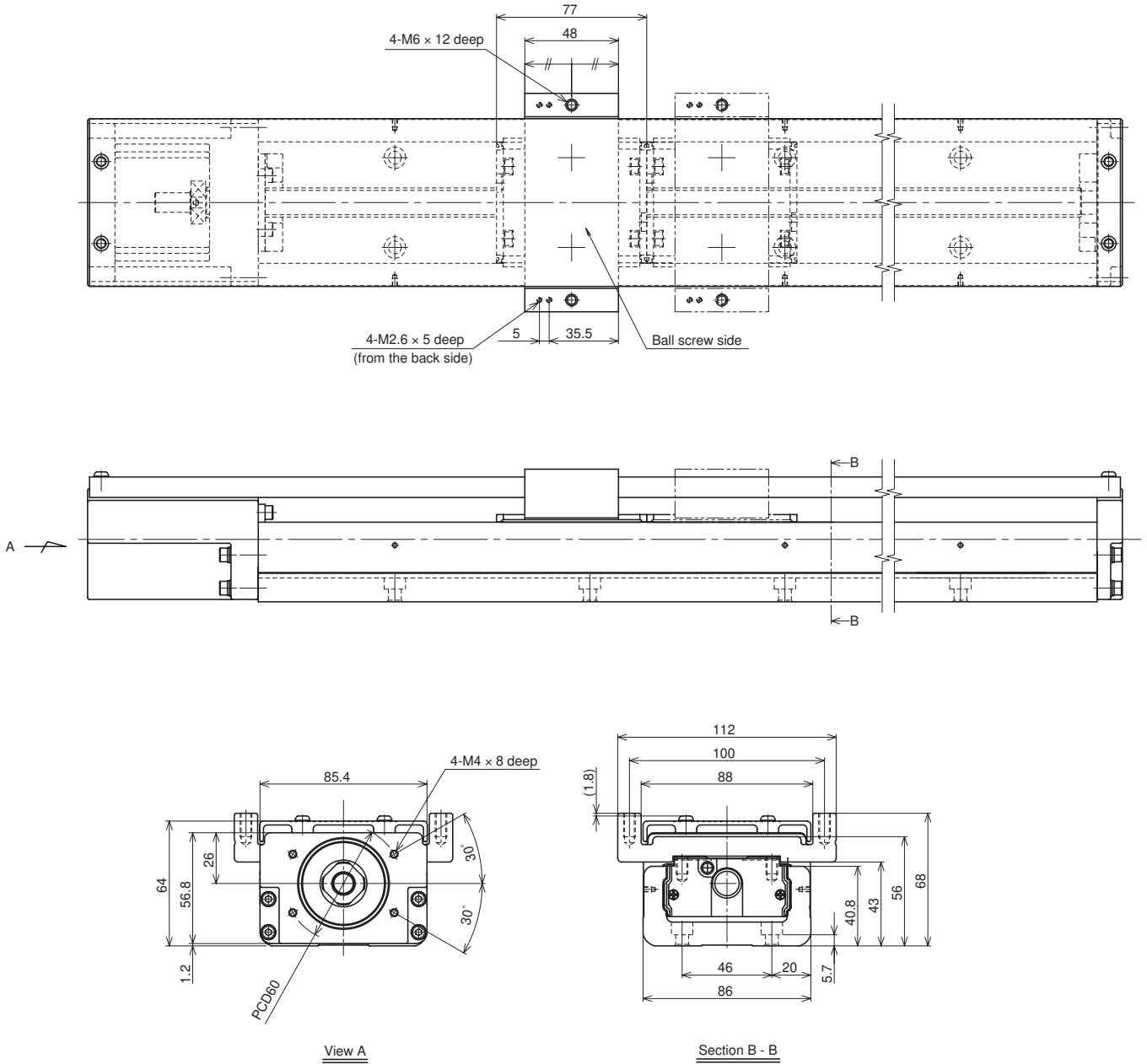
SKR46□□B (with two long blocks)



LM Rail Length (mm)	Full Length L <sub>1</sub> (mm)	Possible Stroke Range (mm)		H (mm)	G (mm)	n	n <sub>1</sub>	Unit's Total Weight (kg)	
		Type A	Type B					Type A	Type B
340	440.5	208.5	98.5	70	70	3	2	7.1	8.3
440	540.5	308.5	198.5	20	70	4	3	8.6	9.8
540	640.5	408.5	298.5	70	70	5	3	10.0	11.3
640	740.5	508.5	398.5	20	70	6	4	11.5	12.7
740	840.5	608.5	498.5	70	70	7	4	13.0	14.2
940	1040.5	808.5	698.5	70	70	9	5	16.0	17.2

The possible stroke range of SKR46□□B shows a value applicable when the product is used with two long type blocks closely linked together.

SKR46□□C (with one short block)  
 SKR46□□D (with two short blocks)



LM Rail Length (mm)	Full Length L <sub>1</sub> (mm)	Possible Stroke Range (mm)		H (mm)	G (mm)	n	n <sub>1</sub>	Unit's Total Weight (kg)	
		Type C	Type D					Type C	Type D
340	440.5	241.5	164.5	70	70	3	2	6.6	7.4
440	540.5	341.5	264.5	20	70	4	3	8.1	8.9
540	640.5	441.5	364.5	70	70	5	3	9.6	10.3
640	740.5	541.5	464.5	20	70	6	4	11.0	11.8
740	840.5	641.5	564.5	70	70	7	4	12.5	13.3
940	1040.5	841.5	764.5	70	70	9	5	15.5	16.3

The possible stroke range of SKR46□□D shows a value applicable when the product is used with two short type blocks closely linked together.

# Sensors

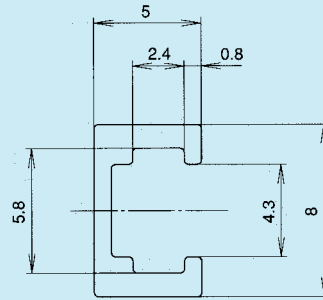
## Sensors

For the SKR33 and SKR46 types, proximity sensors and photosensors are provided as options. When the SKR33 or SKR46 with sensors is specified, the sensor rails and sensor dogs specially designed for the SKR-type are also supplied with the product.

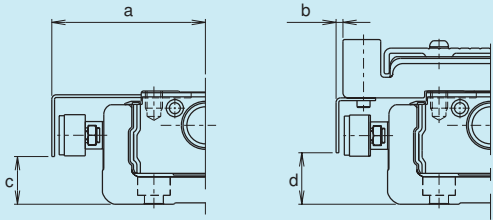
- Proximity sensors GL-12F (SUNX), three units
  - Photosensor EE-SX671 (Omron), three units
  - GL-N12 F(B) (SUNX), three units
  - EE-SX674 (Omron), three units
  - GXL-N12F(B) (SUNX), three units
  - Connector EE-1001 (Omron), three pieces
  - APM-D3A1(B1) (Yamatake), three units
- \* The connectors are supplied with photosensors as standard.

## Sensor Rails

It is also possible to install a sensor rail only.



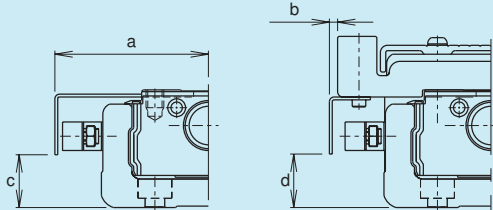
### Proximity sensors GL-12F, GL-N12F (B), and GXL-N12F (B) (SUNX)



Unit: mm

Model	a	b	c	d
SKR33	44.7	2	13.8	14
SKR46	57.7	1.8	24.8	22

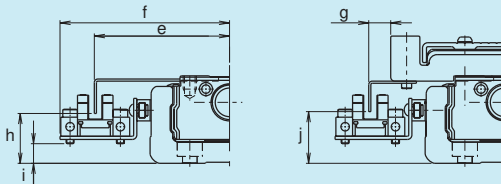
### Proximity sensors APM-D3A1 and APM-D3B1 (Yamatake)



Unit: mm

Model	a	b	c	d
SKR33	43.05	0.3	14.8	15
SKR46	56.2	0.2	26.8	22

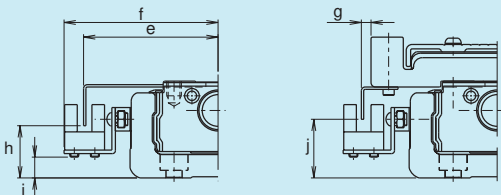
### Photosensor EE-SX671 (Omron)



Unit: mm

Model	e	f	g	h	i	j
SKR33	51.1	63.6	8.3	18.8	7.4	19.5
SKR46	64.1	76.6	8.3	29.8	16.4	26.5

### Photosensor EE-SX674 (Omron)



Unit: mm

Model	e	f	g	h	i	j
SKR33	45.9	52.1	3.3	17.8	7.1	20
SKR46	58.9	65.1	3.2	28.8	16.1	27

## Intermediate Flanges

### ● Applicable Motors and Applicable Intermediate Flanges

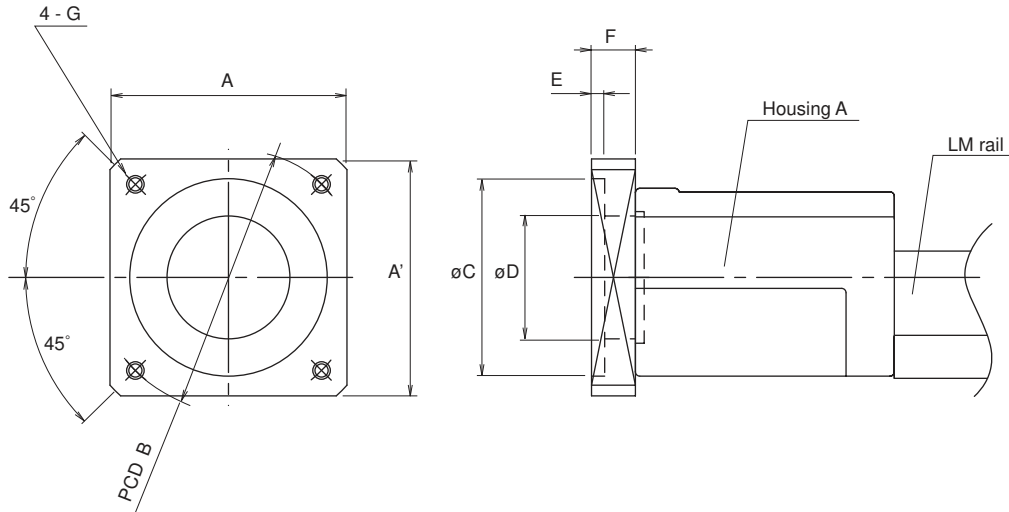
The SKR-type is provided with intermediate flanges so that a variety of motors can be installed. The table below shows the control number of the intermediate flanges meeting the applicable motors on a model number basis. At the time of order, specify the intermediate flange control number.

Table 11 Correspondence between the Applicable Motors and Available Intermediate Flanges

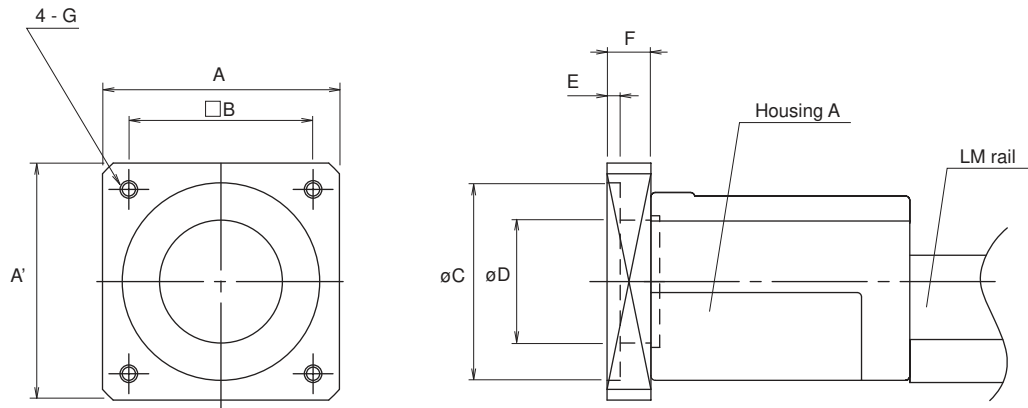
				Motor Model No.	SKR33	SKR46	
Servo Motors	Yaskawa Electric	$\Sigma$ -II	SGMAH-A3 (30W)		0H	0F	
			SGMAH-A5 (50W)		0H	0F	
			SGMAH-01 (100W)		0H	0F	
			SGMPH-01 (100W)		—	04	
			SGMAH-02 (200W)		—	04	
			SGMAH-04 (400W)		—	04	
	Mitsubishi Electric	MELSERVO	J2 Super	HC-MFS 053 (50W)		0H	0F
				HC-KFS 053 (50W)		0H	0F
				HC-MFS 13 (100W)		0H	0F
				HC-KFS 13 (100W)		0H	0F
				HC-MFS 23 (200W)		—	04
				HC-KFS 23 (200W)		—	04
				HC-MFS 43 (400W)		—	04
				HC-KFS 43 (400W)		—	04
	Matsushita Electric	MINAS A	MSMA 3A (30W)		0K	0G	
			MSMA 5A (50W)		0K	0G	
			MSMA 01 (100W)		0K	0G	
			MQMA 01 (100W)		—	03	
			MSMA 02 (200W)		—	03	
			MSMA 04 (400W)		—	03	
Sanyo Denki	BL Super P3	P30B04003 (30W)		0H	0F		
		P30B04005 (50W)		0H	0F		
		P30B04010 (100W)		0H	0F		
		P30B06020 (200W)		—	04		
		P30B06040 (400W)		—	04		
Fanuc	$\beta$ /is series	$\beta$ 0.2/5000is (50W)		0H	0F		
		$\beta$ 0.3/5000is (100W)		0H	0F		
		$\beta$ 0.4/5000is (125W)		—	04		
		$\beta$ 0.5/5000is (200W)		—	04		
		$\beta$ 1/5000is (400W)		—	04		
Stepper Motors	Oriental Motor	$\alpha$ Step	AS 46, ASC46		0I	—	
			AS 6□, ASC66		0G	01	
	Two-phase	Five phase	RK	RK54□		0I	—
				RK56□		0G	01
		UMK	UMK24□		0I	—	
			UMK26□		0F	—	
CSK	CSK24□		0I	—			
	CSK26□		0F	—			

Note: Symbols in the SKR type columns show the lower two digits of the intermediate flange control numbers.

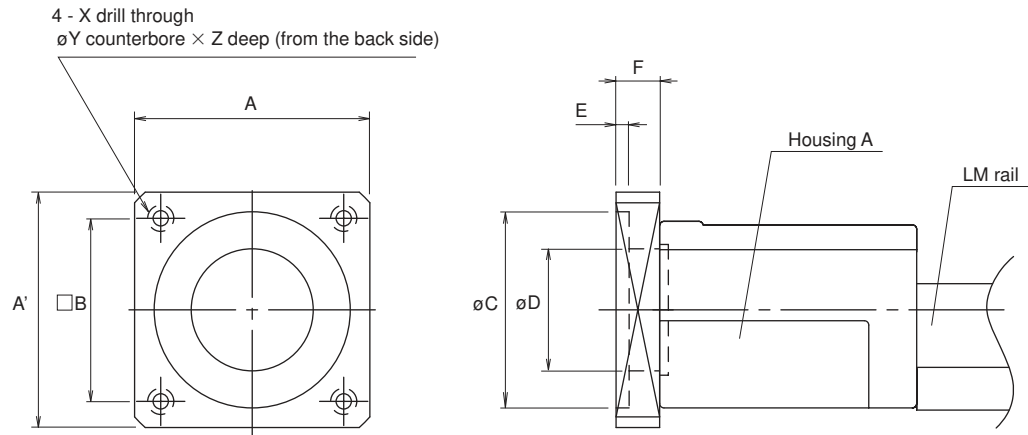
# Dimensions of the Intermediate Flanges



	Control number	A × A'	B	C	D	E	F	G
SKR33	0B	54 × 54	60	50	28	3	10	M4
	0H	42 × 40	46	30	28	3	10	M4
	0K	42 × 38	45	30	28	3.5	10	M3
SKR46	02	62 × 60	60	50	42	3.5	10	M4
	03	62 × 60	70	50	42	3.5	10	M4
	04	62 × 60	70	50	42	4	10	M5
	0A	76 × 76	90	70	42	3.5	12	M5
	0F	62 × 53	46	30	—	—	10	M4
	0G	62 × 53	45	30	—	—	10	M3



	Control number	A × A'	B	C	D	E	F	G
SKR33	0F	56.4 × 56.4	47.14	38.1	28	2	10	M4
	0G	60 × 60	50	36	28	2	10	M4
SKR46	01	62 × 60	50	36	—	—	10	M4



	Control number	A × A'	B	C	D	E	F	X	Y	Z
SKR33	01	42 × 42	31	22	—	—	7	3.5	6	4

# THK LM-Guide Actuator SKR-type

## Precautions on Use

### Handling

- Exercise care when handling the product. Dropping or tapping it may result in breakage.
- Do not disassemble the product unless it is unavoidable. Disassembling the product unnecessarily may result in the entry of foreign matter or cause accuracy degradation.
- Operating the product exceeding the permissible revolution speed may lead to part breakage or accidents. The operating revolution speed should be limited to the range specified by THK.

### Operating temperature range


- Do not use the product at temperatures exceeding 80°C. Should it be required to use it at 80°C or higher, contact THK.

### Lubrication

- To deliver the full extent of SKR-type functions, lubrication is essential. Use of the product without lubrication may result in increased abrasion at the rolling section or shorter life.
- Wipe the rust-preventive oil from the product sufficiently and then fill it with lubricant before use.
- Do not mix and use lubricants with different properties.
- The greasing intervals differ with the operating conditions. It is recommended that the greasing intervals be determined at the initial inspection.
- If the product is used in locations constantly exposed to vibration or in special environments such as clean rooms, vacuums, low temperatures, or high temperatures, there are cases where ordinary greases cannot be used. In such cases, contact THK.

### Use and Lubrication in Special Environments

- locations constantly exposed to vibration or in special environments such as clean rooms, vacuums, low temperatures, or high temperatures, consult THK .

- “LM Guide”, “Caged Ball”, “” and “QZ” are the registered trademarks of THK Co., Ltd.
- There may be differences between products appearing in photographs and the actual product.
- The appearance, specifications, and other information are subject to change without prior notice to improve reliability, function, etc. When deciding to adopt the product, contact us beforehand.
- We have exercised great care in preparing this catalog, but it is still possible that are misspellings, omissions of letters, etc. THK assumes no responsibility or liability for damage resulting from such errors possibly contained herein.
- We employ the basic policy of observing the Foreign Exchange and Foreign Trade Control Law of Japan with regard to the export of our products/technologies or sales for export. For export of our products as discrete components, consult THK beforehand.

All rights reserved.

## THK CO., LTD.

HEAD OFFICE 3-11-6, NISHI-GOTANDA, SHINAGAWA-KU, TOKYO 141-8503 JAPAN  
ASIA PACIFIC SALES DEPARTMENT PHONE:(03)5434-0351 FAX:(03)5434-0353

### CHINA

BEIJING  
PHONE:(10)6590-3557 FAX:(10)6590-3557  
SHANGHAI  
PHONE:(21)6267-6571 FAX:(21)6267-6654  
THK SHOUZAN CO.,LTD.  
PHONE:2376-1091 FAX:2376-0749

### TAIWAN

TAIPEI  
PHONE:(02)2888-3818 FAX:(02)2888-3819  
TAICHUNG  
PHONE:(04)2359-1505 FAX:(04)2359-1506  
SOUTHERN  
PHONE:(06)289-7668 FAX:(06)289-7669

### KOREA (SEOUL)

PHONE:(02)3463-0351 FAX:(02)3017-0351

### MALAYSIA (KUALA LUMPUR)

PHONE:(03)9287-1137 FAX:(03)9287-8071

### INDIA (BANGALORE)

PHONE:(080)330-1524 FAX:(080)330-1524

### NORTH AMERICA

CHICAGO  
PHONE:(847)310-1111 FAX:(847)310-1182  
NEW JERSEY  
PHONE:(201)529-1950 FAX:(201)529-1962  
ATLANTA  
PHONE:(770)840-7990 FAX:(770)840-7897  
LOS ANGELES  
PHONE:(714)891-6752 FAX:(714)894-9315  
SAN FRANCISCO  
PHONE:(925)455-8948 FAX:(925)455-8965  
BOSTON  
PHONE:(781)575-1151 FAX:(781)575-9295  
DETROIT  
PHONE:(248)858-9330 FAX:(248)858-9455  
INDIANAPOLIS  
PHONE:(317)243-3496 FAX:(317)243-3499  
MINNEAPOLIS  
PHONE:(952)953-4442 FAX:(952)953-4441  
TORONTO  
PHONE:(905)712-2922 FAX:(905)712-2925  
BRASIL (SÃO PAULO)  
PHONE:(011)3767-0100 FAX:(011)3767-0101

### EUROPE

DÜSSELDORF  
PHONE:0049-(0)2102-7425-0 FAX:0049-(0)2102-7425-299  
STUTTGART  
PHONE:0049-(0)7150-9199-0 FAX:0049-(0)7150-9199-888  
MÜNCHEN  
PHONE:0049-(0)89-370616-0 FAX:0049-(0)89-370616-26  
U.K.  
PHONE:0044-(0)1908-222159 FAX:0044-(0)1908-222161  
MILANO  
PHONE:0039-039-2842079 FAX:0039-039-2842527  
BOLOGNA  
PHONE:0039-051-6412211 FAX:0039-051-6412230  
SWEDEN  
PHONE:0046-(0)8-4457630 FAX:0046-(0)8-4457639  
AUSTRIA  
PHONE:0043-(0)7229-51400 FAX:0043-(0)7229-51400-79  
SPAIN  
PHONE:0034-93-652-5740 FAX:0034-93-652-5746  
THK FRANCE S. A. S.  
PHONE:0033-(0)4-37491400 FAX:0033-(0)4-37491401  
SOUTH AFRICA  
PHONE:0027-(0)44-2720020 FAX:0027-(0)44-2720020

